



A family company manufacturing in the USA

www.glastender.com



CS1RB40  
with refrigeration  
hook-up left, black  
vinyl-clad doors, and  
stainless steel top



4004503  
Conforms to NSF/ANSI STD 7  
and UL STD 471  
Certified to CSA STD C22.2 No. 120  
Listed to NSF Standard 7  
for open food as a storage refrigerator



Intertek

Intertek

### Standard Features

- Remote unit
- All stainless steel interior with radius corners is easy to keep clean
- Locking doors
- LED interior lighting
- Heated mullion to minimize condensation
- Available without a finished top for integrated installation below customer supplied bar top
- 180° swinging doors
- Leg sockets recessed into base
- Stainless steel evaporator housing with separate removable evaporator drain pan

### Specifications

#### Electrical

- 120V, 1 phase, 60 Hz, 1.5A full load amps
- Dedicated 15 amp circuit is required
- 14 gauge wire connection is made inside the cooler next to evaporator housing - interior access is through one of the 3/4" side knock-out holes (electrician's choice)

#### Refrigeration

- R134a, R404A, R448A, R449A, R422A, R452A, R513A, R407A, R407F, R445A, or R450A expansion valve & temperature control included. Specify type required when ordering.
- Refrigeration system capacity requirements\*:  
CS1RB40 - 975 BTU/hr  
CS1RB60 - 1250 BTU/hr  
CS1RB80 - 1550 BTU/hr
- \* BTU/hr design loads are figured assuming 85° F ambient, 15° F evaporator temperature, all glass doors, maximum internal loading, and average compressor cycling. No solar heat gain has been accounted for.
- All refrigeration hookups are made at the installation site

Project: _____	AIA# _____
Item #: _____ Qty: _____	SIS# _____
Model #: _____	

## Coolers Shallow Depth, One Zone, Remote, Bar Profile

CS1RB40, CS1RB60, CS1RB80

### CS1RB Configurable Options

#### Temperature:

- Beer/Food - 34°F to 40°F
- White wine - 50°F to 55°F
- Red wine - 60°F to 65°F

#### Expansion Valve Type:

- R134a/R513A
- R404A/R422A
- R448A/R452A
- R449A
- R407A R407F
- R445A/R450A

#### Refrigeration Hook-Up Location:

- Left or Right

#### Door Style & Finish:

- Door - Black vinyl-clad
- Door - Unlaminated
- Door - Stainless steel
- Door - Jeweled stainless
- Door - Laminated
- Door - Glass, black vinyl-clad
- Door - Glass, stainless steel
- Door - Glass, jeweled stainless
- Door - Glass, laminated

#### Door Hinge Location (specify for each door):

- Left or Right

#### Door Handle:

- Polished stainless
- Polished brass
- Stainless pull tab

#### Top Style:

- No finished top
- Stainless top
- Laminated top

#### Left and Right Side Finish:

- Black vinyl-clad
- Stainless steel
- Laminated

#### Back Finish:

- Galvanized steel
- Stainless steel

#### LED Lighting Style:

- Bright white (7,000k)
- Warm white (3,500k)
- Amber (2,700k)
- Blue

See our Product Directory for a complete list of cooler accessories.

Glastender, Inc. • 5400 N Michigan Rd • Saginaw, MI • 48604-9780  
989.752.4275 • 800.748.0423 • Fax 989.752.4444  
www.glastender.com

Approval/Notes:

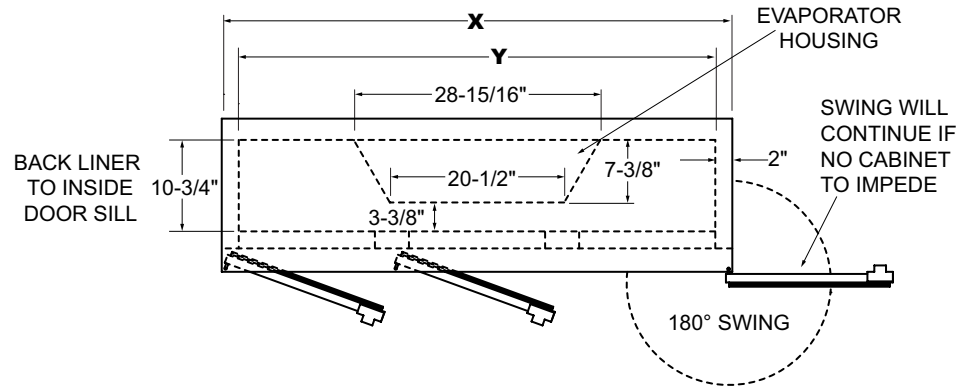
Specifications subject to change without notice. For current specifications please visit our website.

# Coolers - Shallow Depth, One Zone, Remote, Bar Profile

## Dimensional Information

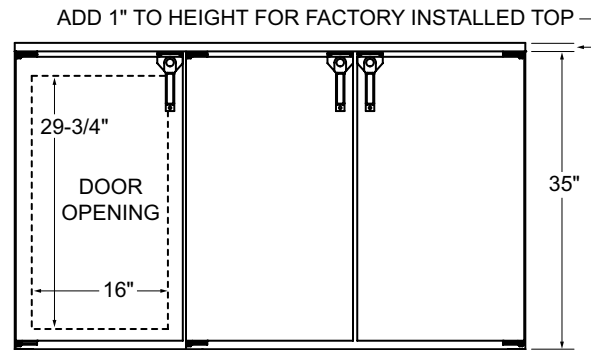
Note: Available with refrigeration hook-up location left or right.

### PLAN VIEW



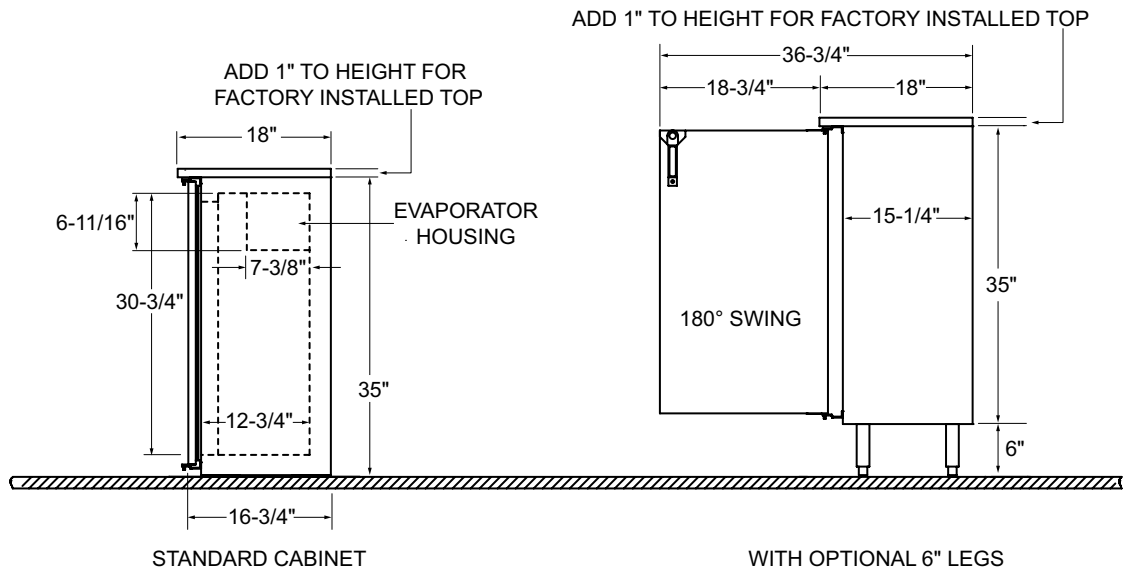
Model	X	Y	Doors
CS1RB40	40"	36"	2
CS1RB60	60"	56"	3
CS1RB80	80"	76"	4

### FRONT VIEW



Model	Capacities	
	12 oz. bottles, cases	750 ml wine bottles
CS1RB40	7.1	66
CS1RB60	11.8	110
CS1RB80	16.4	152

### SIDE VIEWS

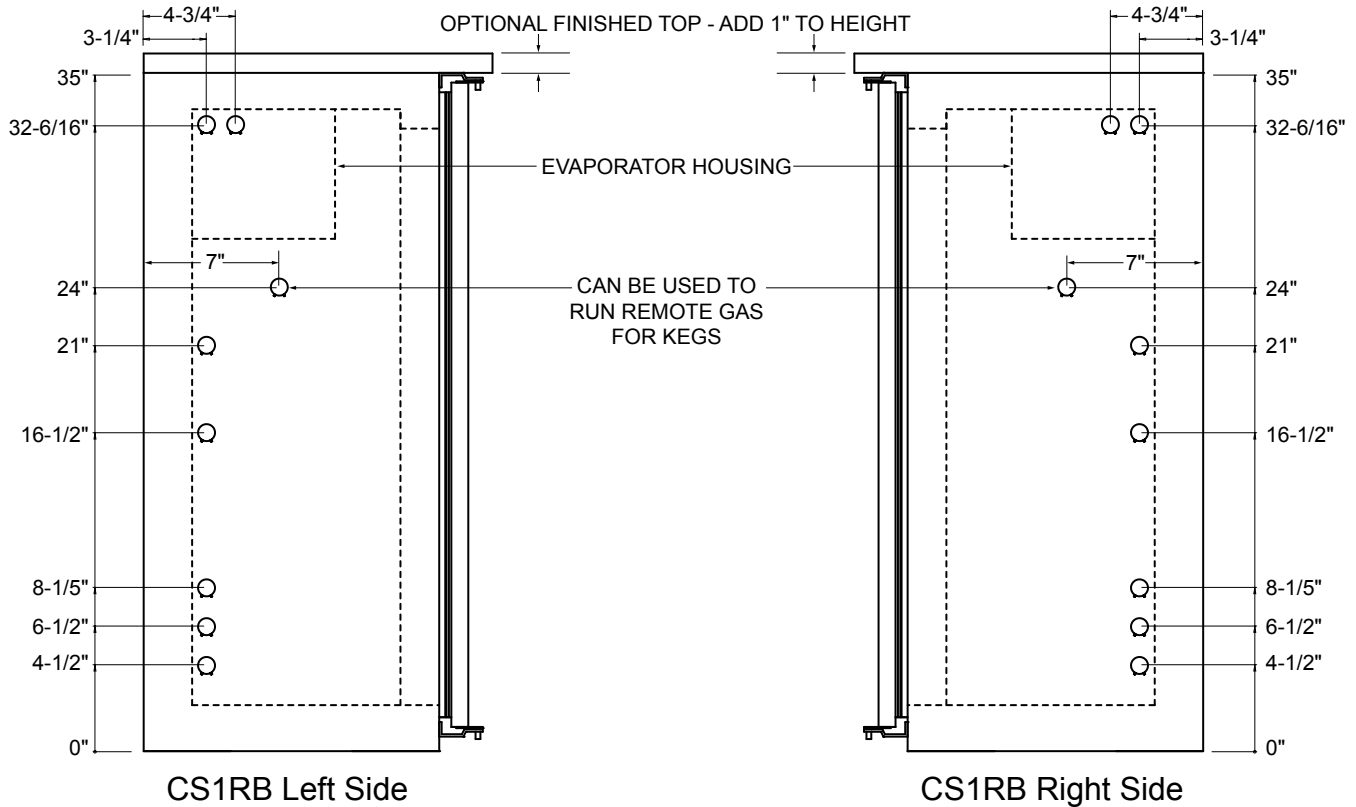


5400 N Michigan Rd • Saginaw, MI • 48604-9780  
 989.752.4275 • 800.748.0423 • Fax 989.752.4444  
 www.glastender.com

# Coolers - Shallow Depth, One Zone, Remote, Bar Profile

## Knockout Dimensional Information

### SIDE VIEW



Knockout holes will appear on the side specified for refrigeration hook-up. The series of knockouts from top to bottom allow installation flexibility to run refrigeration lines, electrical, and drain lines in various locations. There are line covers provided on the interior of the box to cover the lines.