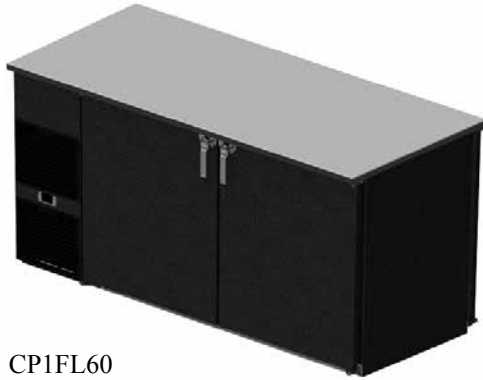


Project: _____	AIA# _____
Item #: _____ Qty: _____	SIS# _____
Model #: _____	

Coolers, Pass-Thru, One Zone, Front Serviced, Low Profile

CP1FL32, CP1FL36, CP1FL52,
CP1FL60, CP1FL72, CP1FL84



CP1FL60
with compressor left,
black vinyl-clad doors and
laminated top



Standard Features

- All stainless steel interior with radius corners is easy to keep clean
- Locking doors
- LED interior lighting
- Heated mullion to minimize condensation
- Evaporator above compressor compartment to maximize storage capacity
- Available without a finished top for integrated installation below customer supplied counter top
- 180° swinging doors

- Temperature:**
- Beer/Food - 34°F to 40°F
 - White wine - 50°F to 55°F
 - Red wine - 60°F to 65°F

- Refrigeration Compartment Location:**
- Left or Right

- Refrigeration Compartment Cover Finish:**
- Black vinyl-clad
 - Unlaminated
 - Stainless steel
 - Jeweled stainless
 - Laminated

- Door Style & Finish:**
- Door - Black vinyl-clad
 - Door - Unlaminated
 - Door - Stainless steel
 - Door - Jeweled stainless
 - Door - Laminated
 - Door - Glass, black vinyl-clad
 - Door - Glass, stainless steel
 - Door - Glass, jeweled stainless
 - Door - Glass, laminated

- Door Hinge Location (specify for each door):**
- Left or Right

- Door Handle:**
- Polished stainless
 - Polished brass
 - Stainless pull tab

- Top Style:**
- No finished top
 - Stainless top
 - Laminated top

- Left and Right Side Finish:**
- Black vinyl-clad
 - Stainless steel
 - Laminated

- LED Lighting Style:**
- Bright white (7,000k)
 - Warm white (3,500k)
 - Amber (2,700k)
 - Blue

See our Product Directory for a complete list of cooler accessories.



Intertek

4004503



Intertek

Conforms to NSF/ANSI STD 7 and UL STD 471
Certified to CSA STD C22.2 No. 120

Listed to NSF Standard 7 for open food as a storage refrigerator

Specifications

Electrical

- 120V, 1 phase, 60 Hz
- Full load amps - CP1FL32, CP1FL36 - 3.0, CP1FL52, CP1FL60, CP1FL72, CP1FL84 - 7.0
- Dedicated 15 amp circuit is required
- Includes a 6 foot NEMA 5-15P grounded cord and plug which exits the back of refrigeration compartment



Refrigeration

- R290
- Compressor - CP1FL32, CP1FL36 - 1/8HP, CP1FL52, CP1FL60, CP1FL72, CP1FL84 - 1/4HP
- Heat rejection - CP1FL32, CP1FL36 - 1228 BTU/Hr, CP1FL52, CP1FL60, CP1FL72, CP1FL84 - 2867 BTU/Hr

Operating Range

- 34°F (1°C) to 40°F (4°C)

Plumbing

- Automatic condensate evaporator. No drain connection required.

Shelving

- Two adjustable coated shelves per section included

Materials

- Stainless steel parts include: exterior sub-top, interior, front of cabinet, hinges, hinge and lock brackets, and optional legs
- Black vinyl-clad steel parts include: standard sides, doors and compressor cover
- Galvanized steel parts include: back and bottom
- Zinc plated CR steel parts include: leg sockets

Weight Bearing Capacity

- Counter tops and other accessories should not exceed 200 pounds per door

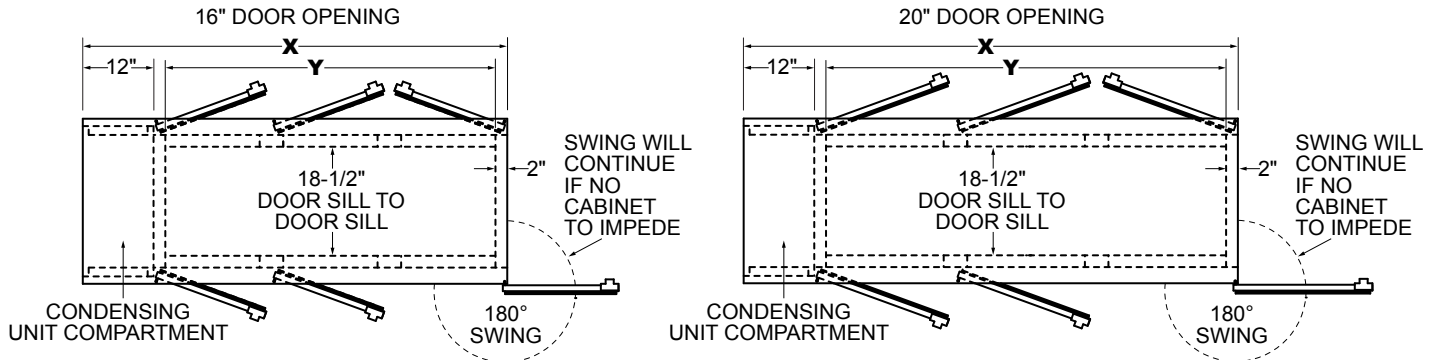
<p>Glastender, Inc. • 5400 N Michigan Rd • Saginaw, MI • 48604-9780 989.752.4275 • 800.748.0423 • Fax 989.752.4444 www.glastender.com</p>	<p>Approval/Notes:</p>
--	------------------------

Specifications subject to change without notice. For current specifications please visit our website.

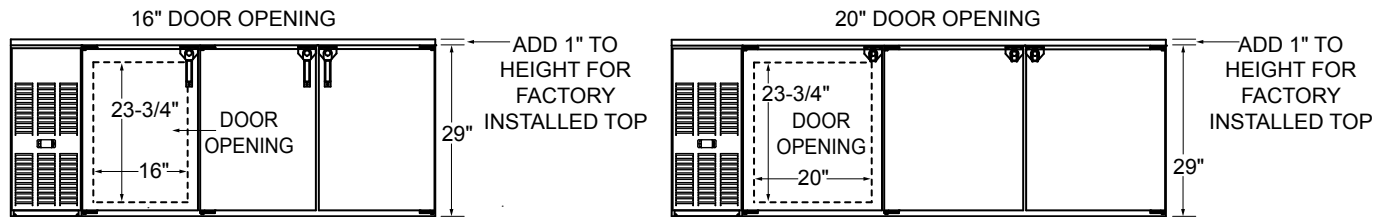
Coolers - Pass-Thru, One Zone, Front Serviced, Low Profile

Dimensional Information

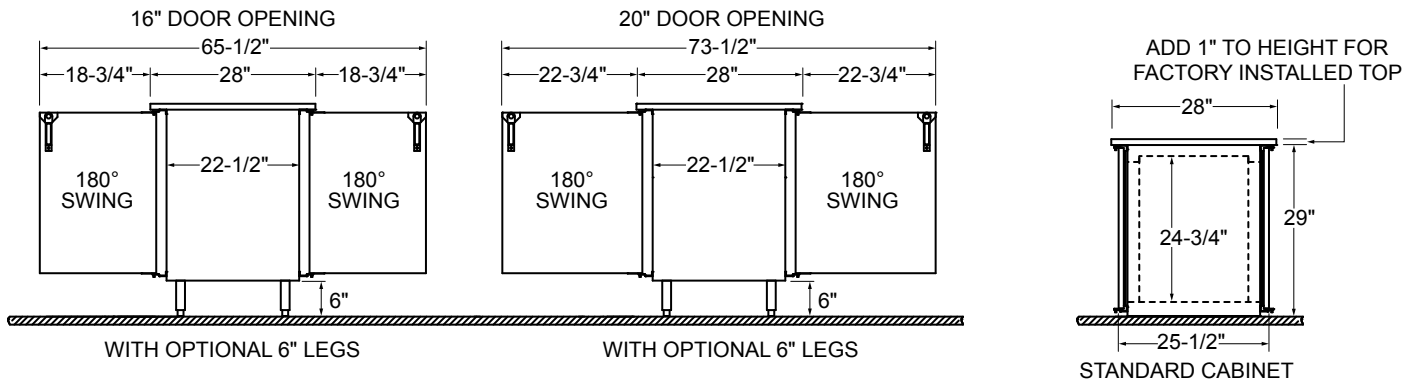
PLAN VIEW



FRONT VIEW



SIDE VIEW



Note: Available with compressor left or right. Compressor left model shown.

16" Door Opening Models	X	Y	DOORS	Capacities	
				12 oz. bottles, cases	750ml wine bottles*
CP1FL32	32"	16"	2	4.4	35
CP1FL52	52"	36"	4	9.7	66
CP1FL72	72"	56"	6	15.4	106

24" Door Models	X	Y	DOORS	Capacities	
				12 oz. bottles, cases	750ml wine bottles*
CP1FL36	36"	20"	2	5.8	42
CP1FL60	60"	44"	4	12.7	90
CP1FL84	84"	68"	6	19.9	137



5400 N Michigan Rd • Saginaw, MI • 48604-9780
 989.752.4275 • 800.748.0423 • Fax 989.752.4444
www.glastender.com

Printed in USA