



A family company manufacturing in the USA

www.glastender.com



CP1FB60
with compressor left,
laminated doors and top

**CONFIGURATION
HIGHLIGHT**



4004503
Conforms to NSF/ANSI STD 7
and UL STD 471
Certified to CSA STD C22.2 No. 120
Listed to NSF Standard 7
for open food as a storage refrigerator



Intertek

Intertek

Standard Features

- All stainless steel interior with radius corners is easy to keep clean
- Locking doors
- LED interior lighting
- Heated mullion to minimize condensation
- Evaporator above compressor compartment to maximize storage capacity
- Available without a finished top for integrated installation below customer supplied counter top
- Leg sockets recessed into base
- 180° swinging doors

Specifications

Electrical

- 120V, 1 phase, 60 Hz
- Full load amps - CP1FB32, CP1FB36 - 3.0, CP1FB52, CP1FB60, CP1FB72, CP1FB84 - 7.0
- Dedicated 15 amp circuit is required
- Includes a 6 foot NEMA 5-15P grounded cord and plug which exits the back of refrigeration compartment



Refrigeration

- R290
- Compressor - CP1FB32, CP1FB36 - 1/8HP, CP1FB52, CP1FB60, CP1FB72, CP1FB84 - 1/4HP
- Heat rejection - CP1FB32, CP1FB36 - 1228 BTU/Hr, CP1FB52, CP1FB60, CP1FB72, CP1FB84 - 2867 BTU/Hr

Operating Range

- 34°F (1°C) to 40°F (4°C)

Project: _____	AIA# _____
Item #: _____ Qty: _____	SIS# _____
Model #: _____	

**Coolers, Pass-Thru,
One Zone, Front Serviced,
Bar Profile**

CP1FB32, CP1FB36, CP1FB52,
CP1FB60, CP1FB72, CP1FB84

CP1FB Configurable Options

Temperature:

- Beer/Food - 34°F to 40°F
- White wine - 50°F to 55°F
- Red wine - 60°F to 65°F

Refrigeration Compartment Location:

- Left or Right

Refrigeration Compartment Cover Finish:

- Black vinyl-clad
- Unlaminated
- Stainless steel
- Jeweled stainless
- Laminated

Door Style & Finish:

- Door - Black vinyl-clad
- Door - Unlaminated
- Door - Stainless steel
- Door - Jeweled stainless
- Door - Laminated
- Door - Glass, black vinyl-clad
- Door - Glass, stainless steel
- Door - Glass, jeweled stainless
- Door - Glass, laminated

Door Hinge Location (specify for each door):

- Left or Right

Door Handle:

- Polished stainless
- Polished brass
- Stainless pull tab

Top Style:

- No finished top
- Stainless top
- Laminated top

Left and Right Side Finish:

- Black vinyl-clad
- Stainless steel
- Laminated

LED Lighting Style:

- Bright white (7,000k)
- Warm white (3,500k)
- Amber (2,700k)
- Blue

See our Product Directory for a complete list of cooler accessories.

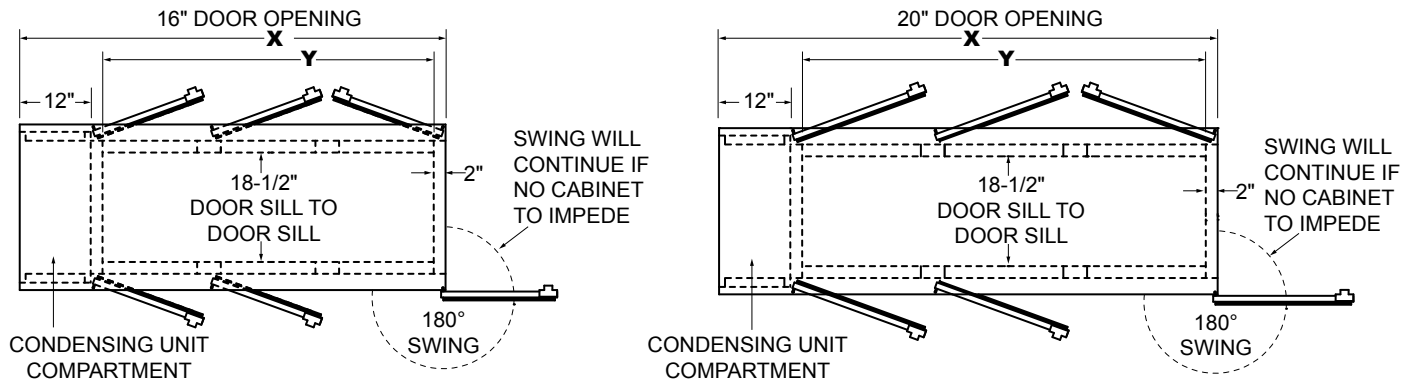
Glastender, Inc. • 5400 N Michigan Rd • Saginaw, MI • 48604-9780 989.752.4275 • 800.748.0423 • Fax 989.752.4444 www.glastender.com	Approval/Notes:
--	-----------------

Specifications subject to change without notice. For current specifications please visit our website.

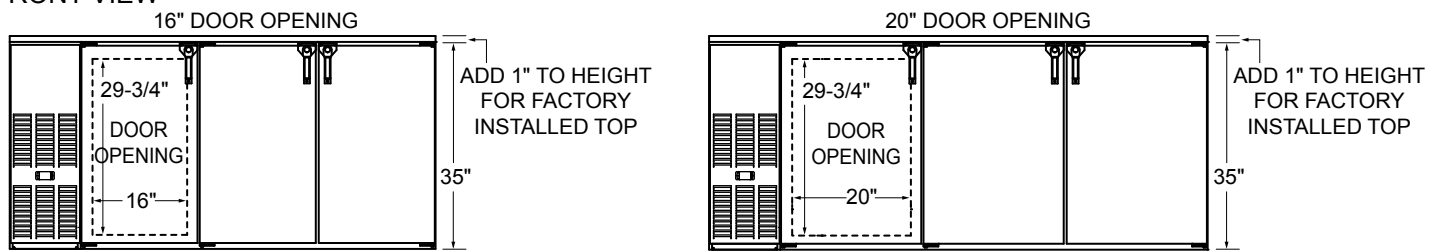
Coolers - Pass-Thru, One Zone, Front Serviced, Bar Profile

Dimensional Information

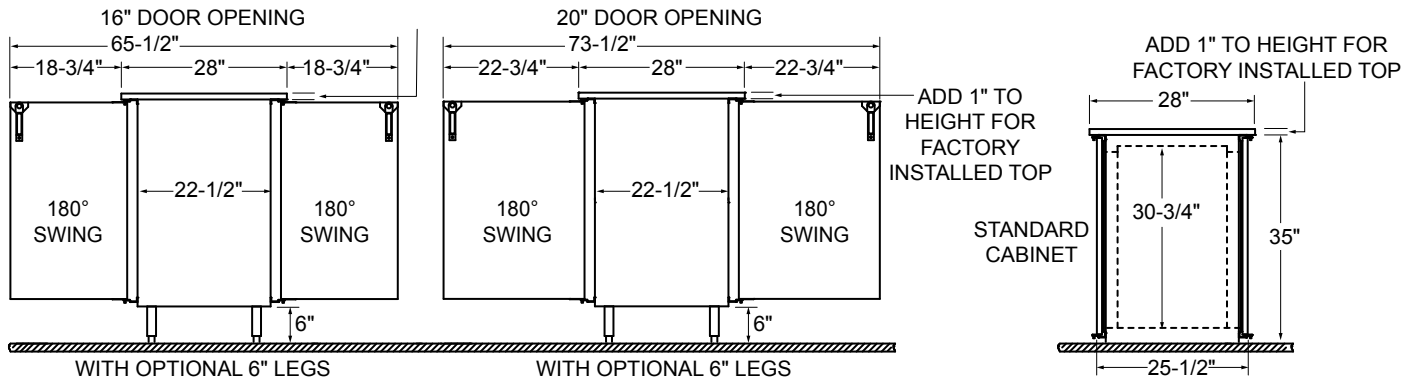
PLAN VIEW



FRONT VIEW



SIDE VIEW



Note: Available with compressor left or right. Compressor left model shown.

16" Door Opening Models	X	Y	DOORS	Capacities			
				12 oz. bottles, cases	750ml wine bottles*	1/2 barrel kegs	1/6 barrel kegs
CP1FB32	32"	16"	2	6.6	67	N/A	2
CP1FB52	52"	36"	4	14.6	129	N/A	7
CP1FB72	72"	56"	6	23.1	209	N/A	12

24" Door Models	X	Y	DOORS	Capacities			
				12 oz. bottles, cases	750ml wine bottles*	1/2 barrel kegs	1/6 barrel kegs
CP1FB36	36"	20"	2	8.8	79	1	4
CP1FB60	60"	44"	4	19.1	177	2	8
CP1FB84	84"	68"	6	29.9	271	4	14



5400 N Michigan Rd • Saginaw, MI • 48604-9780
 989.752.4275 • 800.748.0423 • Fax 989.752.4444
www.glastender.com

Printed in USA