

Project: _____	AIA# _____
Item #: _____ Qty: _____	SIS# _____
Model #: _____	

Undercounter Towers

UC-__-SSR

Size:
Specify the number of faucets from 4, 5, 6, 8, 10, 12



NOTE: Faucet handles not included.



Intertek
4004503

Conforms to NSF/ANSI STD 18

Standard Features

- All stainless steel construction
- 1/4" shanks with 3/16" restriction lines
- Includes insulated cold plate assembly for recirculating system
- Available in 4, 5, 6, 8, 10, and 12 faucet sizes
- Includes stainless steel faucets and shanks

NOTES:

1. Installation of the undercounter tower requires a minimum bar top overhang of 7".
2. Undercounter towers do not include a drain pan. Glastender offers a free standing underbar beer drainer. See model numbers BDA or BDB for the main line or C-BD for the Choice line.
3. The beverage and glycol lines exit the bottom of the tower and are rigid, so the undercounter tower must be installed prior to installing the beer drainer. The 8, 10, and 12 faucet models have two sets of lines exiting the bottom of the tower.

Specifications

Materials

- 20 gauge stainless steel

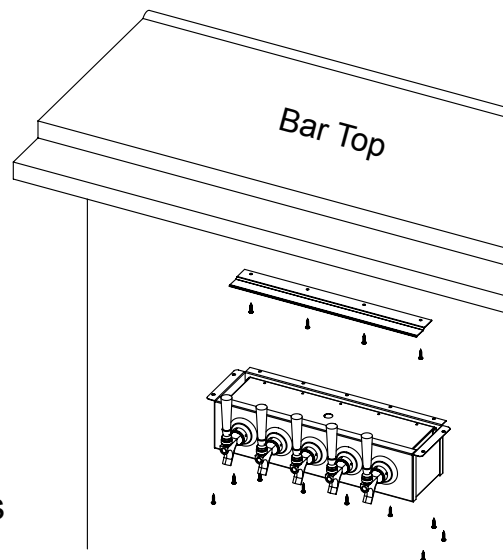
Shank Sizes

- 1/4" I.D. with 3/16" fittings

Beer and Glycol Lines

- The beverage and glycol lines exit the bottom of the tower and are rigid, so the undercounter tower must be installed prior to installing the beer drainer.
- The 8, 10, and 12 faucet models have two sets of lines exiting the bottom of the tower.

Mounting Details



Glastender, Inc. • 5400 North Michigan Road • Saginaw, MI • 48604-9780
 989.752.4275 • 800.748.0423 • Fax 989.752.4444
www.glastender.com

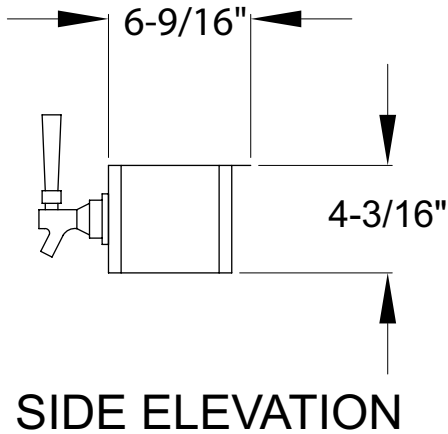
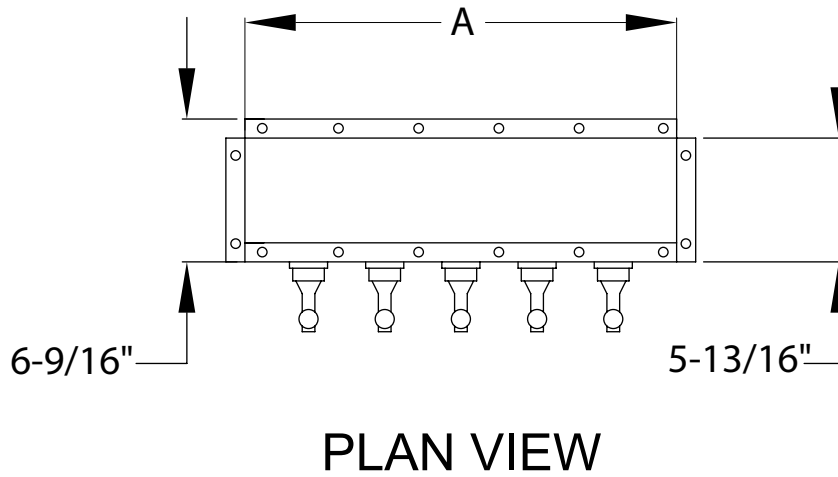
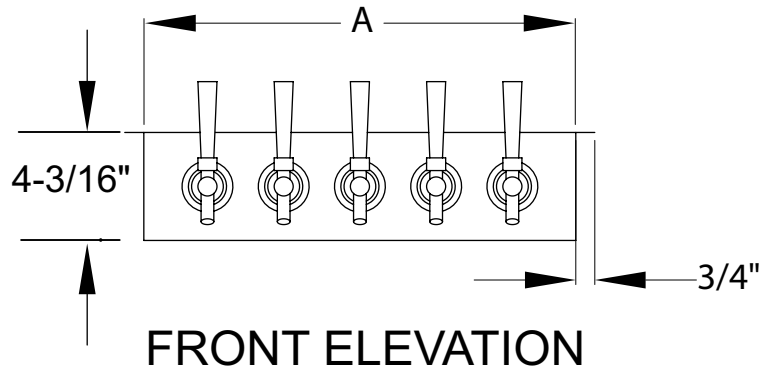
Approval/Notes:

Specifications subject to change without notice. For current specifications please visit our website.

Undercounter Towers

Dimensional Information

NOTE: Faucet handles not included.



UNDERCOUNTER TOWERS	
NUMBER OF FAUCETS	"A" WIDTH
4.....	14"
5.....	17"
6.....	20"
8.....	26"
10.....	32"
12.....	38"