

Project: _____	AIA# _____
Item #: _____ Qty: _____	SIS# _____
Model #: _____	

**24" Low Profile
 Dry Storage Cabinet
 One Door Model**

LPDS24

LPDS24 Configurable Options



LPDS24
 with laminated door
 and laminated top

Door Style & Finish:

- Door - Black vinyl-clad
- Door - Unlaminated
- Door - Stainless steel
- Door - Jeweled stainless
- Door - Laminated

Door Hinge Location (specify for each door):

- Left or Right

Door Handle:

- Polished stainless
- Polished brass
- Stainless pull tab

Top Style:

- No finished top
- Stainless top
- Laminated top

Left and Right Side Finish:

- Black vinyl-clad
- Stainless steel
- Laminated

Standard Features

- Galvanized steel interior construction
- Foamed-in-place insulated sides and door for extra sturdiness and sound deadening
- Black vinyl-clad steel exterior front and sides
- Stainless steel die cast handle with lock
- Leg sockets recessed into base
- 180° swinging door



Intertek

4004503

Conforms to NSF/ANSI STD 2

To view underbar installation instructions, please visit: http://www.glastender.com/PDF/F-750-165_Underbar_Installation_Instructions.pdf
 To view cleaning and care instructions, please visit: http://www.glastender.com/PDF/F-423-011_ss_clean_care.pdf

Specifications

Shelving

- One adjustable shelf included

Legs

- 1-5/8" diameter
- Stainless steel bullet feet

Materials

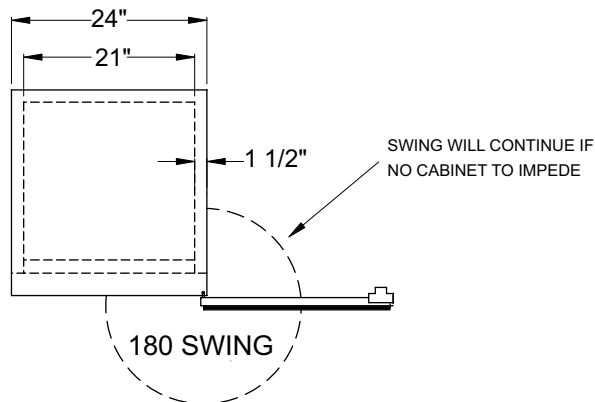
- 22 gauge galvanized steel parts include: interior walls and back
- 22 gauge black vinyl-clad parts include: sides and standard doors
- 18 gauge stainless steel parts include: top front channel and front leg channel
- 16 gauge stainless steel parts include: legs
- 16 gauge galvanized steel parts include: rear leg channel, floor, and shelf
- 16 gauge zinc plated CR steel parts include: leg sockets
- 12 gauge stainless steel parts include: hinges, hinge brackets, and lock brackets

Glastender, Inc. • 5400 N Michigan Rd • Saginaw, MI • 48604-9780 989.752.4275 • 800.748.0423 • Fax 989.752.4444 www.glastender.com	Approval/Notes:
Specifications subject to change without notice. For current specifications please visit our website.	

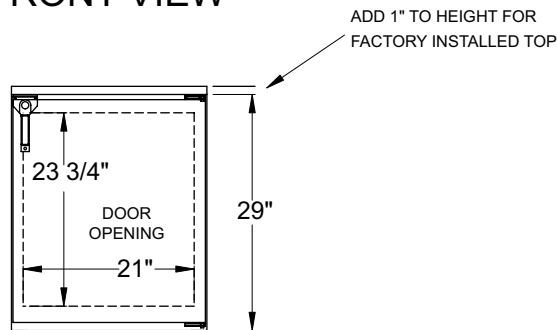
24" Low Profile Dry Storage Cabinet

Dimensional Information

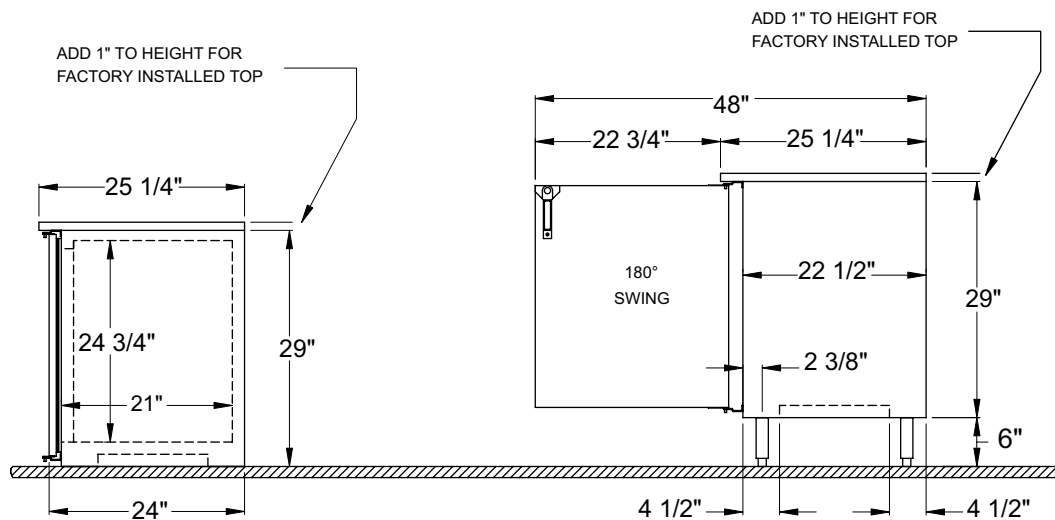
PLAN VIEW



FRONT VIEW



SIDE VIEWS



STANDARD CABINET

WITH OPTIONAL 6" LEGS



5400 N Michigan Rd • Saginaw, MI • 48604-9780
989.752.4275 • 800.748.0423 • Fax 989.752.4444
www.glastender.com