

|                          |            |
|--------------------------|------------|
| Project: _____           | AIA# _____ |
| Item #: _____ Qty: _____ | SIS# _____ |
| Model #: _____           |            |

## Column Towers



**Intertek**

4004503

Conforms to NSF/ANSI STD 18

*NOTE: Faucet handles not included.*

CT-3-SS



CT-3-SS with optional Rinsing Faucet Extension



CT- - -

**Size:**  
Specify the number of faucets from 1 to 3.

**Stainless steel finished as:**  
 SS = Grainline  
 MF = Mirror  
 PB = Brass

### Standard Features

- All stainless steel construction
- Integral surface mount drain pan with lift-out perforated insert
- 1/4" shanks with 3/16" restriction lines
- Available in grainline finish, mirror finish, or brass finish\* (\*NOTE: Brass finish towers provided with mirror finish drain pan and brass finish perforated insert)
- Available with eco friendly foamed-in-place cold plate assembly for recirculating system. Eco friendly foamed-in-place insulation has zero impact on global warming or ozone depletion.
- Available with one, two, or three faucets
- All models include all stainless steel faucets and shanks
- Unique internal support system for solid mounting
- Base plate serves as template for hole cutting
- Available with rinsing faucet extension to the left or right of the drain pan. Specify RFE accessory.

To view cleaning and care instructions, please visit:  
[https://www.glastender.com/PDF/F-423-011\\_ss\\_clean\\_care.pdf](https://www.glastender.com/PDF/F-423-011_ss_clean_care.pdf)

### Specifications

#### Drains

- Drain pan models - 1/2" tailpiece

#### Materials

- 20 gauge stainless steel parts include: head, column, drain pan, and perforated inserts
- 16 gauge stainless steel parts include: inner column stiffener brackets
- 16 gauge galvanized steel parts include: base plate and faucet stiffeners
- 11 gauge stainless steel parts include: inner column base plate

#### Shank Sizes

- 1/4" I.D. with 3/16" fittings

#### Rinsing Faucet (optional)

- Accepts 3/8" cold water lead
- 30 psi water pressure regulator included

**NOTE: Rinsing faucets are not intended for use with towers mounted to a refrigerator due to risk of water line freeze up.**

### Rinsing Faucet Installation Notes

- Important: Unit must be installed in conformance with applicable federal, state, and local plumbing codes, including adequate backflow when required.
- Must install backflow prevention device conforming to ANSI/ASSE 1022 or ANSI/ASSE 1024 to meet plumbing code (not included).
- Install in-line water regulator (included).
- A separate shut-off valve is recommended (not included).

03012383  
Rinsing Faucet  
Assembly



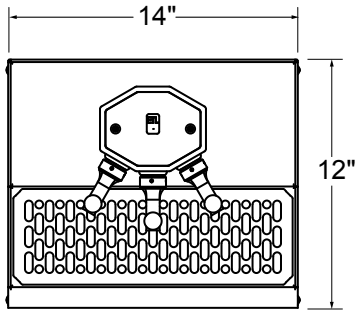
**Intertek**  
4004503  
Conforms to  
NSF/ANSI STD 372

|   |                 |
|---|-----------------|
| <b>Glastender, Inc.</b> • 5400 North Michigan Road • Saginaw, MI • 48604-9780<br>989.752.4275 • 800.748.0423 • Fax 989.752.4444<br><a href="http://www.glastender.com">www.glastender.com</a> | Approval/Notes: |
| Specifications subject to change without notice. For current specifications please visit our website.   |                 |

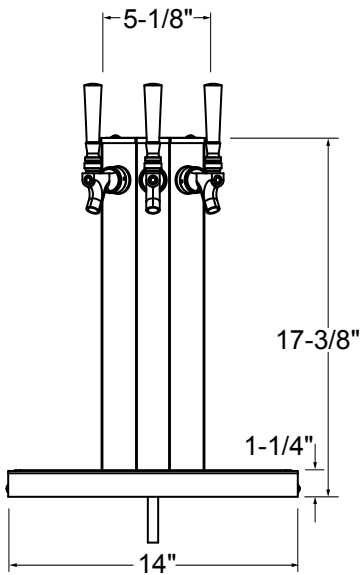
# Column Towers

## Dimensional Information

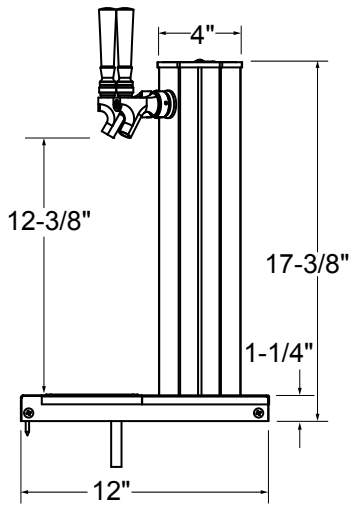
NOTE: Faucet handles not included.



PLAN VIEW

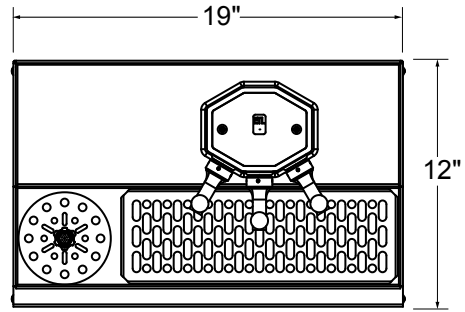


FRONT ELEVATION

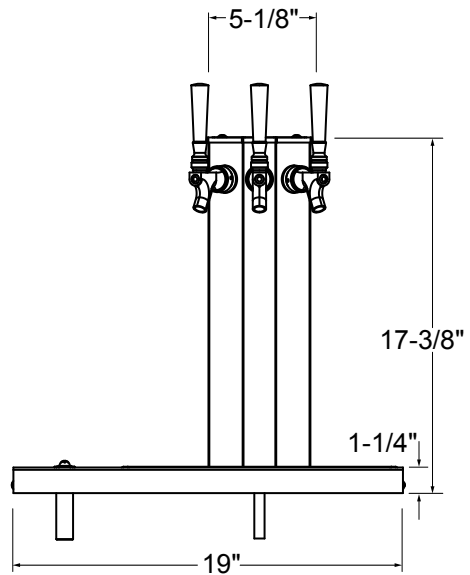


SIDE ELEVATION

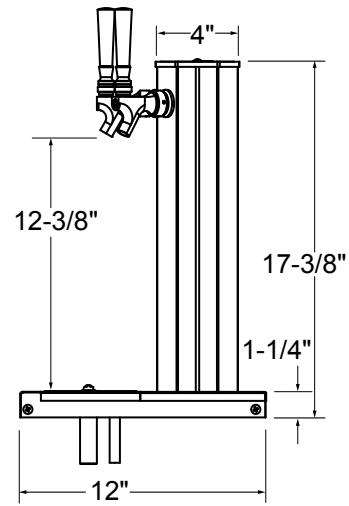
## RF - RINSER FAUCET



PLAN VIEW



FRONT ELEVATION



SIDE ELEVATION