

Project: _____	AIA# _____
Item #: _____ Qty: _____	SIS# _____
Model #: _____	

Degree Corner Drainboards

C-ICC-45, C-ICC-90, C-OCC-45

Standard Features

- All stainless steel construction
- Designed to mount between two adjacent pieces of Choice underbar equipment
- Corrugated work surface features 1/4" radius corners for easy cleaning

Specifications

Drain

- 1-1/2" I.P.S. Threaded drain will fit Dearborn part #8033 slipnut and part #W-573P washer.

Materials

- 20 gauge stainless steel

Product Information

Degree corner drainboards are all 24" deep and designed to mount between two pieces of Choice underbar. However, corner drainboards can be used to mount between any two stable vertical surfaces. Corners should not be mounted to objects that are mobile or on casters.

Because they are intended to mount between two vertical surfaces, corner drainboards do not come with legs. If one side of the corner does not have a vertical surface on which to mount, then a leg set must be ordered as an accessory.

Accessory

C-ULEG-2 Set of two legs for Choice underbar



C-ICC-45



C-ICC-90



C-OCC-45

To view cleaning and care instructions, please visit:
http://www.glastender.com/PDF/choice_ss_clean_care.pdf

Glastender, Inc. • 5400 North Michigan Road • Saginaw, MI • 48604-9780 989.752.4275 • 800.748.0423 • Fax 989.752.4444 www.glastender.com	Approval/Notes:

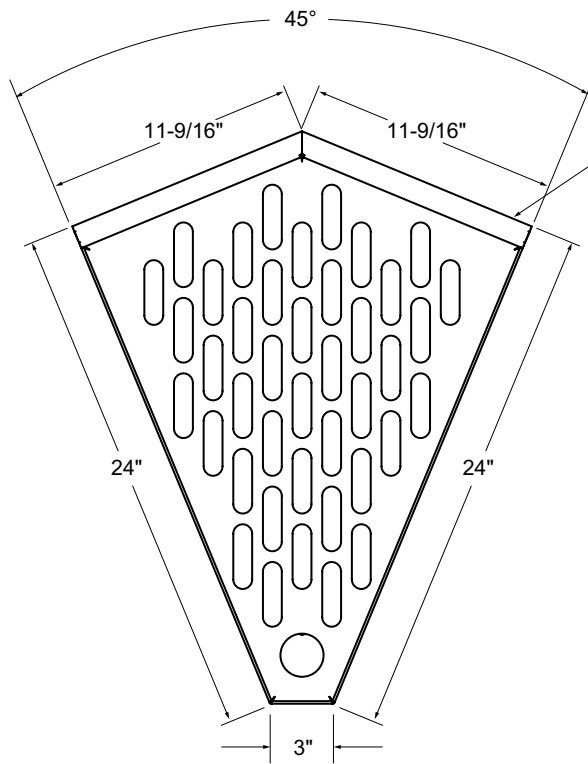
Specifications subject to change without notice. For current specifications please visit our website.

Choice Degreen Corner Drainboards

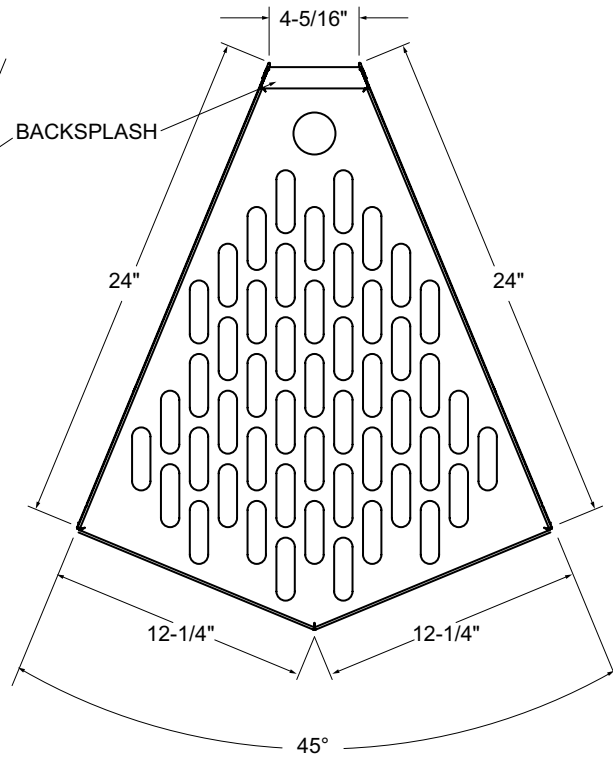
Dimensional Information

PLAN VIEWS

C-ICC-45



C-OCC-45



C-ICC-90

