

# Glastender®

A family company manufacturing in the USA

[www.glastender.com](http://www.glastender.com)



BSB-18  
(Blender not included)



BSA-18-RF



Power cord access hole in front skirt, behind blender



FOF-B

- BSA-12
- BSA-18-RF
- BSB-12

Optional foot-operated faucet

Rinser faucet

Project: _____	AIA# _____
Item #: _____ Qty: _____	SIS# _____
Model #: _____	

## Blender Stations

BSA-12, BSA-14, BSA-18L, BSA-18R,  
BSA-18-RF, BSB-12, BSB-14, BSB-18

### Standard Features

- All stainless steel construction
- One-piece, seamless top and backsplash
- Eco friendly foamed-in-place insulated blender shelf for sound deadening has zero impact on global warming or ozone depletion
- Adjustable stainless steel bullet feet
- 9-1/4" by 11-1/2" by 6" deep sink bowl with hot and cold water gooseneck faucet
- Lift-out plastic perforated sink strainer
- 1" recessed work surface on 'BSB-\_\_' models
- Blender shelf features radius interior corners for easy cleaning
- Power cord access hole with grommet located on front skirt, behind the blender
- Junction box for duplex GFI outlet mounted underneath blender shelf (outlet not included)
- BSA-18-RF model includes a convenient rinser faucet with 6" diameter push plate to rinse out the blender cup.
- Models BSA-12, BSA-18-RF, and BSB-12 are available with a foot-operated faucet. Specify accessory number FOF-B.

NOTE: Blender stations cannot have a speed rail mounted to them. Since speed rails are so common on underbar, blender stations come in 24" and 29" depths to align with underbar that has a speed rail.



4004503  
Conforms to ANSI/NSF STD 2  
Certified to CSA/CAN STD B45.4

Intertek

**All faucets are NSF/ANSI 61, Annex G low lead compliant**

### Specifications

#### Drain

- 1-1/2" I.P.S. Threaded drain will fit Dearborn part #8033 slipnut and part #W-573P washer.

#### Faucet

- Models BSA-14, BSA-18, BSA-18R, BSB-14, and BSA-18: Deck mounted on 4" centers, accepts 3/8" sink leads, hot and cold water connections required
- Models BSA-12, BSB-12, and BSA-18-RF: Backsplash mounted on 4" centers, hot and cold water connections required
- Optional foot-operated faucet on BSA-12, BSA-18-RF, and BSB-12: single hole, (2) 1/2" NPT female inlets and (1) 1/2" NPT female outlet
- NSF/ANSI 61, 372 low lead compliant

#### Rinser Faucet (BSA-18-RF model only)

- Accepts 3/8" cold water lead
- 30 psi water pressure regulator included

#### Sink Bowl Dimensions

- 9-1/4" by 11-1/2" by 6" deep

#### Sink Strainer

- Perforated plastic

#### Legs

- 1-5/8" diameter, 16 gauge stainless steel
- Stainless steel bullet feet

#### Materials

- 20 gauge stainless steel



### Rinser Faucet Installation Notes

- Important: Unit must be installed in conformance with applicable federal, state, and local plumbing codes, including adequate backflow when required.
- Must install backflow prevention device conforming to ANSI/ASSE 1022 or ANSI/ASSE 1024 to meet plumbing code (not included).
- Install in-line water regulator (included).
- A separate shut-off valve is recommended (not included).

**WARNING:** The plastic wet waste strainer included with this product can expose you to chemicals including Bisphenol A (BPA), which is known to the State of California to cause birth defects or other reproductive harm. For more information, go to [www.P65Warnings.ca.gov](http://www.P65Warnings.ca.gov). **Part #03000483**

To view underbar installation instructions, please visit: [https://www.glastender.com/PDF/F-750-165\\_Underbar\\_Installation\\_Instructions.pdf](https://www.glastender.com/PDF/F-750-165_Underbar_Installation_Instructions.pdf)  
To view cleaning and care instructions, please visit: [https://www.glastender.com/PDF/F-423-011\\_ss\\_clean\\_care.pdf](https://www.glastender.com/PDF/F-423-011_ss_clean_care.pdf)

**Glastender, Inc.** • 5400 North Michigan Road • Saginaw, MI • 48604-9780  
989.752.4275 • 800.748.0423 • Fax 989.752.4444  
[www.glastender.com](http://www.glastender.com)

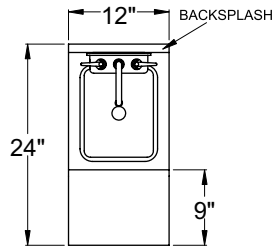
Approval/Notes:

Specifications subject to change without notice. For current specifications please visit our website.

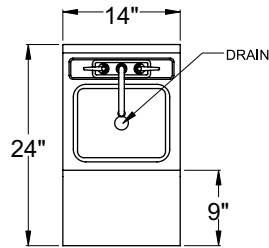
# Blender Stations

## Dimensional Information

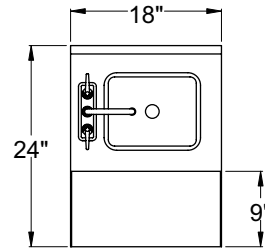
\*NOTE: The BSA-18L model has the faucet mounted Left. Specify BSA-18R for faucet mounted Right.



BSA-12

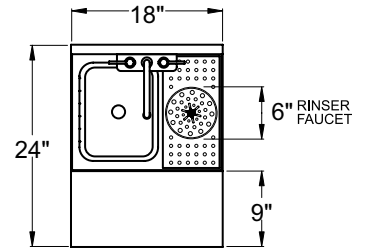


BSA-14



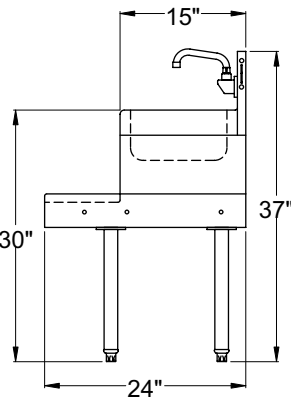
BSA-18L

### BLENDER STATION WITH RINSER FAUCET



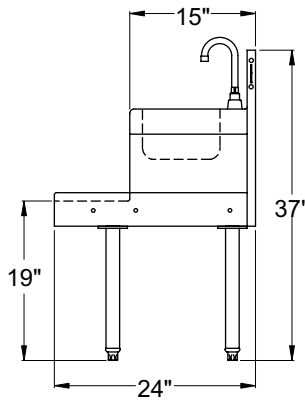
BSA-18-RF

PLAN VIEW

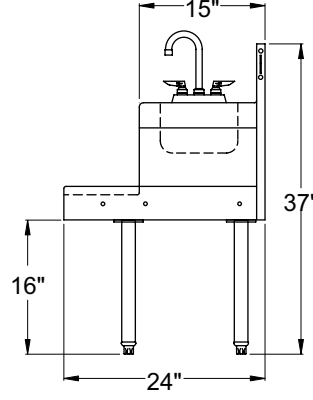


BSA-12

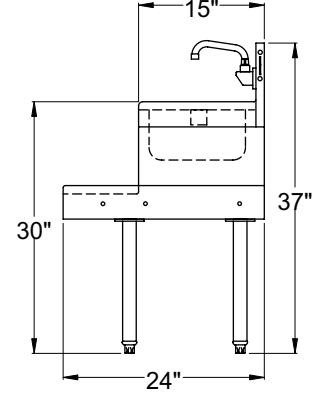
SIDE ELEVATIONS



BSA-14

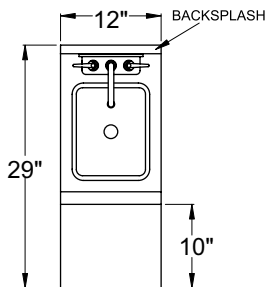


BSA-18L

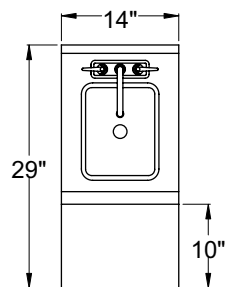


BSA-18-RF

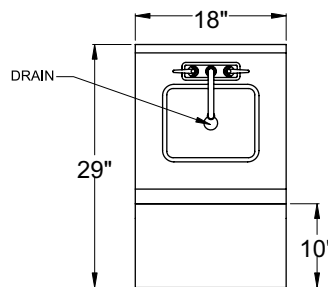
SIDE ELEVATION



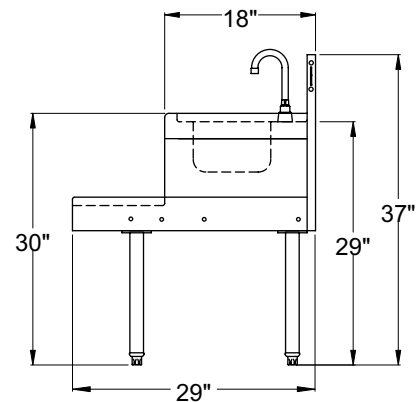
BSB-12



BSB-14



BSB-18



BSB-12\*, BSB-14, BSB-18

\*Note: BSB-12 faucet is mounted to backsplash.

SIDE ELEVATION