

# Glastender®

A family company manufacturing in the USA

www.glastender.com

Project: _____	AIA# _____
Item #: _____ Qty: _____	SIS# _____
Model #: _____	

## Coolers One Zone, Remote, Low Profile

C1RL24, C1RL40, C1RL48, C1RL60,  
C1RL72, C1RL80, C1RL96

### CONFIGURATION HIGHLIGHT



DOORS  
IN NINE  
FINISHES



**C1RL48**  
with refrigeration hook-up  
left, black vinyl-clad doors,  
and laminated top



4004503  
Conforms to NSF/ANSI STD 7  
and UL STD 471  
Certified to CSA STD C22.2 No. 120  
Listed to NSF Standard 7



Intertek

for open food as a storage refrigerator

Intertek

### Standard Features

- Remote unit
- All stainless steel interior with radius corners is easy to keep clean
- Locking doors
- LED interior lighting
- Heated mullion to minimize condensation
- Available without a finished top for integrated installation below customer supplied bar top
- 180° swinging doors
- Leg sockets recessed into base
- Stainless steel evaporator housing with separate removable evaporator drain pan

### C1RL Configurable Options

#### Temperature:

- Beer/Food - 34°F to 40°F
- White wine - 50°F to 55°F
- Red wine - 60°F to 65°F

#### Expansion Valve Type:

- R134a/R513A
- R404A/R422A
- R448A/R452A
- R449A
- R407A R407F
- R445A/R450A

#### Refrigeration Hook-Up Location:

- Left or Right

#### Door Style & Finish:

- Door - Black vinyl-clad
- Door - Unlaminated
- Door - Stainless steel
- Door - Jeweled stainless
- Door - Laminated
- Door - Glass, black vinyl-clad
- Door - Glass, stainless steel
- Door - Glass, jeweled stainless
- Door - Glass, laminated

#### Door Hinge Location (specify for each door):

- Left or Right

#### Door Handle:

- Polished stainless
- Polished brass
- Stainless pull tab

#### Shelving (specify per door section):

- Two adjustable shelves
- Pull-out wine shelves with combination upright and horizontal storage

#### Top Style:

- No finished top
- Stainless top
- Laminated top
- Drainboard top

#### 4" High Stainless Splashes (can only be ordered with stainless top):

- None
- Backsplash
- Left side splash
- Right side splash

#### Left and Right Side Finish:

- Black vinyl-clad
- Stainless steel
- Laminated

#### Back Finish:

- Galvanized steel
- Stainless steel

#### LED Lighting Style:

- Bright white (7,000k)
- Warm white (3,500k)
- Amber (2,700k)
- Blue

See our Product Directory for a complete list of cooler accessories.

### Specifications

#### Electrical

- 120V, 1 phase, 60 Hz, 1.5A full load amps
- Dedicated 15 amp circuit is required
- 14 gauge wire connection is made inside the cooler next to evaporator housing - interior access is through one of the 3/4" side knock-out holes (electrician's choice)

#### Refrigeration

- R134a, R404A, R448A, R449A, R422A, R452A, R513A, R407A, R407F, R445A, or R450A expansion valve & temperature control included. Specify type required when ordering.
- Refrigeration system capacity requirements\* : C1RL24 - 800 BTU/hr, C1RL40, C1RL48 - 1,000 BTU/hr, C1RL60, C1RL72 - 1,300 BTU/hr, C1RB80, C1RB96 - 1,600 BTU/hr
- \* BTU/hr design loads are figured assuming 85° F ambient, 15° F evaporator temperature, all glass doors, maximum internal loading, and average compressor cycling. No solar heat gain has been accounted for.
- All refrigeration hookups are made at the installation site

#### Plumbing

- A six foot length of 1/2" ID by 5/8" OD plastic tubing is provided to drain condensate. The tubing should exit through one of the 3/4" side knock-out holes (installer's choice). The maximum drainage is one ounce per hour - consult local codes for compliance - a floor drain may be required

#### Shelving

- Two adjustable coated shelves per door included (does not include sections with pull-out wine shelves.)
- Three pull-out wine shelves per door optional

#### Materials

- Stainless steel parts include: exterior sub-top, interior, front of cabinet, hinges, hinge and lock brackets, and optional legs
- Black vinyl-clad steel parts include: standard sides and doors
- Galvanized steel parts include: back and bottom
- Zinc plated CR steel parts include: leg sockets

#### Weight Bearing Capacity

- C1RL24 - Counter tops and other accessories should not exceed 400 pounds per door
- C1RL40, C1RL48, C1RL60, C1RL72, C1RB80, C1RB96 - Counter tops and other accessories should not exceed 500 pounds per door

Glastender, Inc. • 5400 N Michigan Rd • Saginaw, MI • 48604-9780  
989.752.4275 • 800.748.0423 • Fax 989.752.4444  
www.glastender.com

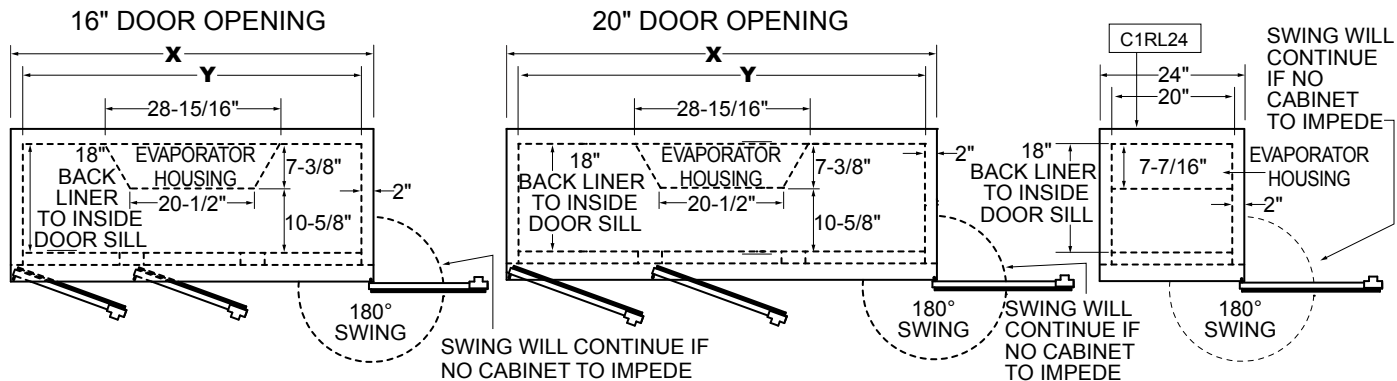
Approval/Notes:

Specifications subject to change without notice. For current specifications please visit our website.

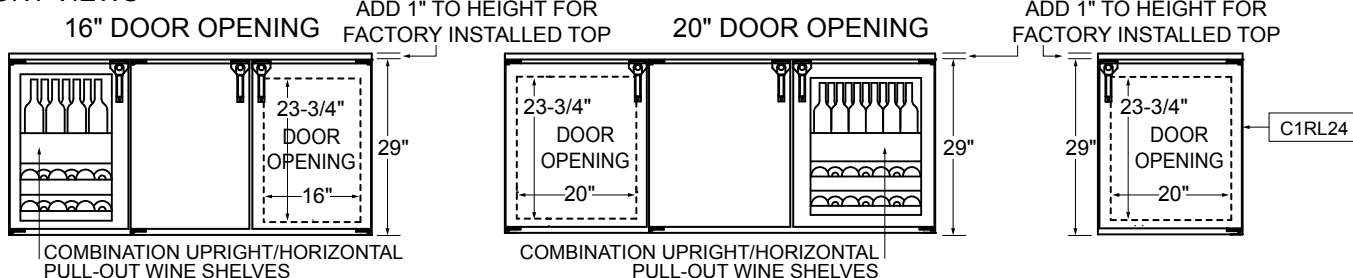
# Coolers - One Zone, Remote, Low Profile

## Dimensional Information

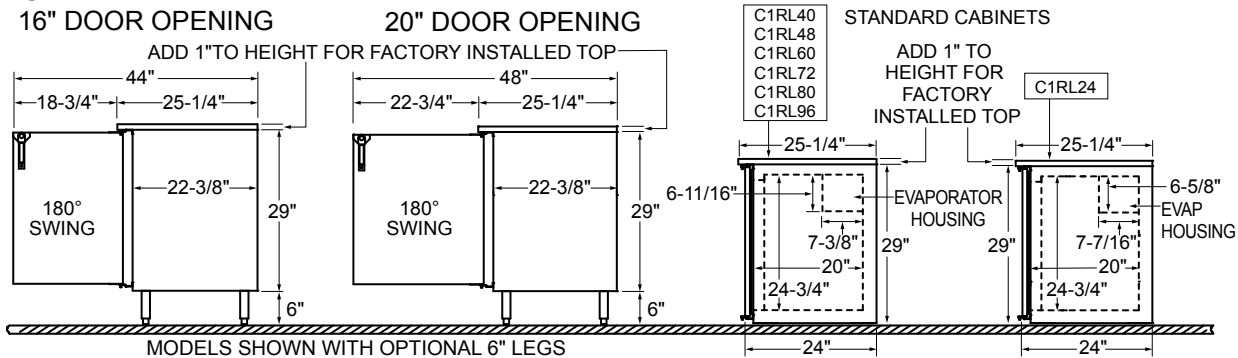
### PLAN VIEWS



### FRONT VIEWS



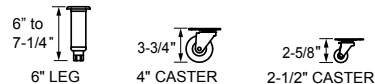
### SIDE VIEWS



Note: Available with refrigeration hook-up location left or right. \*Wine bottle capacity is based on adjustable shelves.

			Capacities		
16" Door Opening Models	X	Y	DOORS	12 oz. bottles, cases	750ml wine bottles*
C1RL40	40"	36"	2	8.2	60
C1RL60	60"	56"	3	12.8	96
C1RL80	80"	76"	4	18.0	132

### OPTIONAL LEGS AND CASTERS



			Capacities		
20" Door Opening Models	X	Y	DOORS	12 oz. bottles, cases	750ml wine bottles*
C1RL24	24"	20"	1	4.3	36
C1RL48	48"	44"	2	10.3	84
C1RL72	72"	68"	3	16.8	126
C1RL96	96"	92"	4	23.3	168



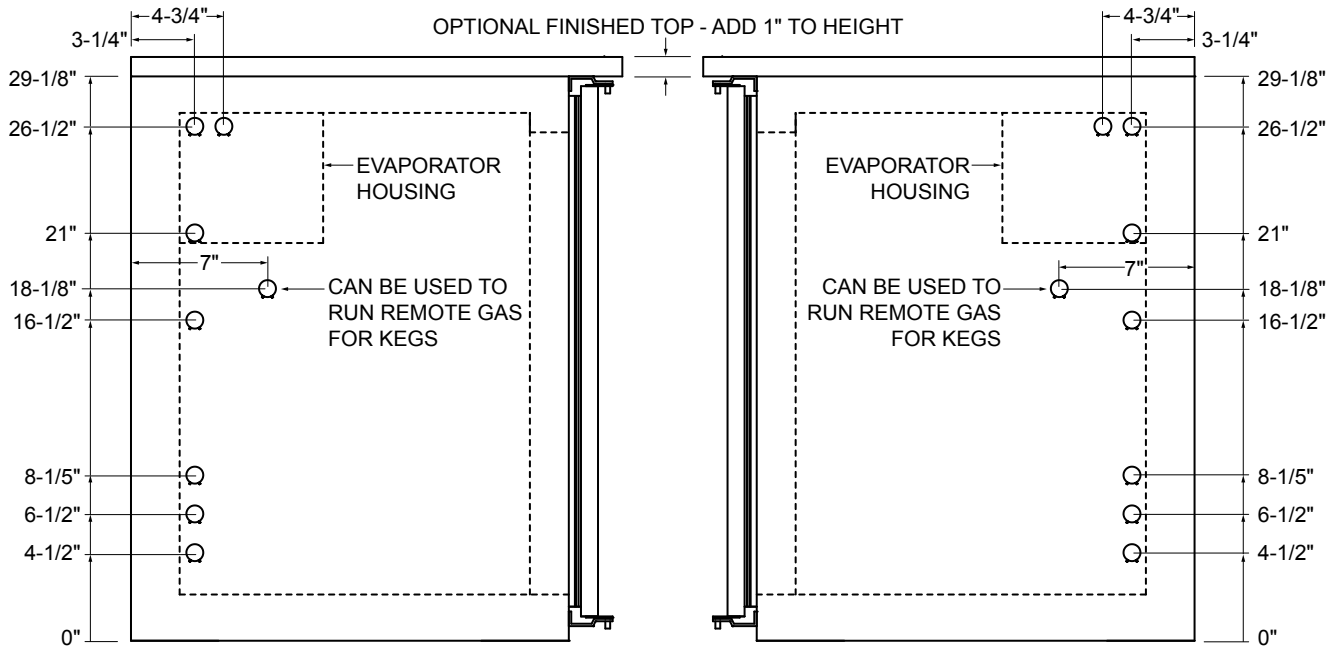
5400 N Michigan Rd • Saginaw, MI • 48604-9780  
989.752.4275 • 800.748.0423 • Fax 989.752.4444  
www.glastender.com

Printed in USA

# Coolers - One Zone, Remote, Low Profile

## Knockout Dimensional Information

### SIDE VIEW



C1RL Left Side

C1RL Right Side

Knockout holes will appear on the side specified for refrigeration hook-up. The series of knockouts from top to bottom allow installation flexibility to run refrigeration lines, electrical, and drain lines in various locations. There are line covers provided on the interior of the box to cover the lines.