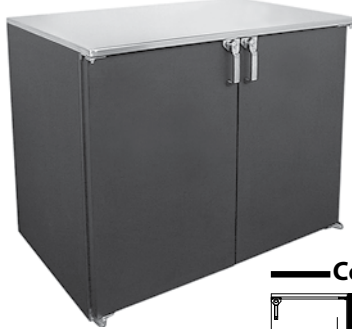


Glastender®

A family company manufacturing in the USA

www.glastender.com



C1RB48
with refrigeration
hook-up left, black
vinyl-clad doors, and
stainless top

CONFIGURATION HIGHLIGHTS



Intertek

4004503
Conforms to NSF/ANSI STD 7
and UL STD 471
Certified to CSA STD C22.2 No. 120
Listed to NSF Standard 7 for open
food as a storage refrigerator



Intertek

Standard Features

- Remote unit
- All stainless steel interior with radius corners is easy to keep clean
- Locking doors
- LED interior lighting
- Heated mullion to minimize condensation
- Any door opening may be converted to draft dispensing
- Available without a finished top for integrated installation below customer supplied bar top
- 180° swinging doors
- Leg sockets recessed into base
- Stainless steel evaporator housing with separate removable evaporator drain pan

Specifications

Electrical

- 120V, 1 phase, 60 Hz, 1.5A full load amps
- Dedicated 15 amp circuit is required
- 14 gauge wire connection is made inside the cooler next to evaporator housing - interior access is through one of the 3/4" side knock-out holes (electrician's choice)

Refrigeration

- R134a, R404A, R448A, R449A, R422A, R452A, R513A, R407A, R407F, R445A, or R450A expansion valve & temperature control included. Specify type required when ordering.
- Refrigeration system capacity requirements* : C1RB24 - 800 BTU/hr, C1RB40 - 1,000 BTU/hr, C1RB48 - 1,200 BTU/hr, C1RB60 - 1,300 BTU/hr, C1RB72 - 1,500 BTU/hr, C1RB80 - 1,600 BTU/hr, C1RB96 - 1,900 BTU/hr
- * BTU/hr design loads are figured assuming 85° F ambient, 15° F evaporator temperature, all glass doors, maximum internal loading, and average compressor cycling. No solar heat gain has been accounted for.
- All refrigeration hookups are made at the installation site

Project: _____	AIA# _____
Item #: _____ Qty: _____	SIS# _____
Model #: _____	

Coolers One Zone, Remote, Bar Profile

C1RB24, C1RB40, C1RB48, C1RB60,
C1RB72, C1RB80, C1RB96

C1RB Configurable Options

Temperature:

- Beer/Food - 34°F to 40°F
- White wine - 50°F to 55°F
- Red wine - 60°F to 65°F

Expansion Valve Type:

- R134a/R513A
- R404A/R422A
- R448A/R452A
- R449A
- R407A R407F
- R445A/R450A

Refrigeration Hook-Up Location:

- Left or Right

Door Style & Finish:

- Door - Black vinyl-clad
- Door - Unlaminated
- Door - Stainless steel
- Door - Jeweled stainless
- Door - Laminated
- Door - Glass, black vinyl-clad
- Door - Glass, stainless steel
- Door - Glass, jeweled stainless
- Door - Glass, laminated

Door Hinge Location (specify for each door):

- Left or Right

Shelving (specify per door section):

- Three adjustable shelves
- Keg rack
- Pull-out wine shelves with combination upright and horizontal storage

Door Handle:

- Polished stainless
- Polished brass
- Stainless pull tab

Top Style:

- No finished top
- Stainless top
- Laminated top

Left and Right Side Finish:

- Black vinyl-clad
- Stainless steel
- Laminated

Back Finish:

- Galvanized steel
- Stainless steel

LED Lighting Style:

- Bright white (7,000k)
- Warm white (3,500k)
- Amber (2,700k)
- Blue

**Draft Beverage
Compatible**



See page 4 of this spec for a complete list of cooler accessories.

Plumbing

- A six foot length of 1/2" ID by 5/8" OD plastic tubing is provided to drain condensate. The tubing should exit through one of the 3/4" side knock-out holes (installer's choice). The maximum drainage is one ounce per hour - consult local codes for compliance - a floor drain may be required

Shelving

- Three adjustable coated shelves per door included (does not include sections with pull-out wine shelves)
- Four pull-out wine shelves per door optional

Materials

- Stainless steel parts include: exterior sub-top, interior, front of cabinet, hinges, hinge and lock brackets, and optional legs
- Black vinyl-clad steel parts include: standard sides and doors
- Galvanized steel parts include: back and bottom
- Zinc plated CR steel parts include: leg sockets

Weight Bearing Capacity

- Counter tops and other accessories should not exceed 500 pounds per door

Glastender, Inc. • 5400 N Michigan Rd • Saginaw, MI • 48604-9780
989.752.4275 • 800.748.0423 • Fax 989.752.4444
www.glastender.com

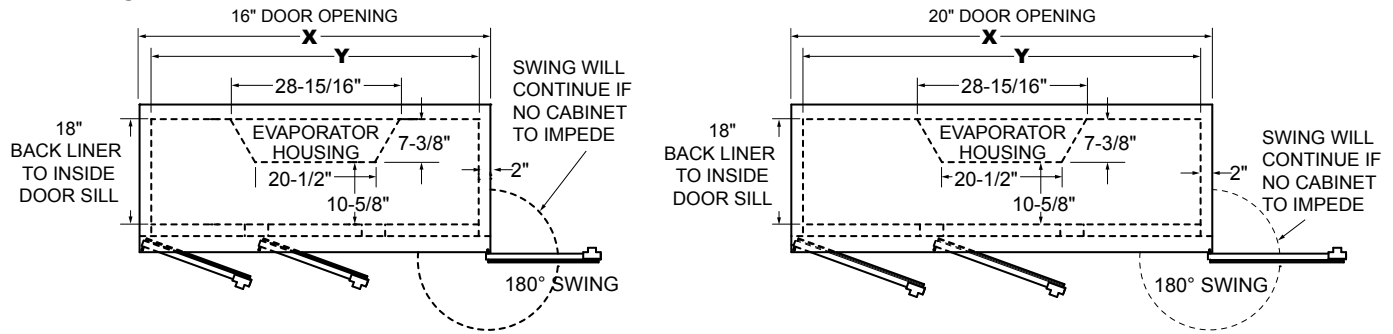
Approval/Notes:

Specifications subject to change without notice. For current specifications please visit our website.

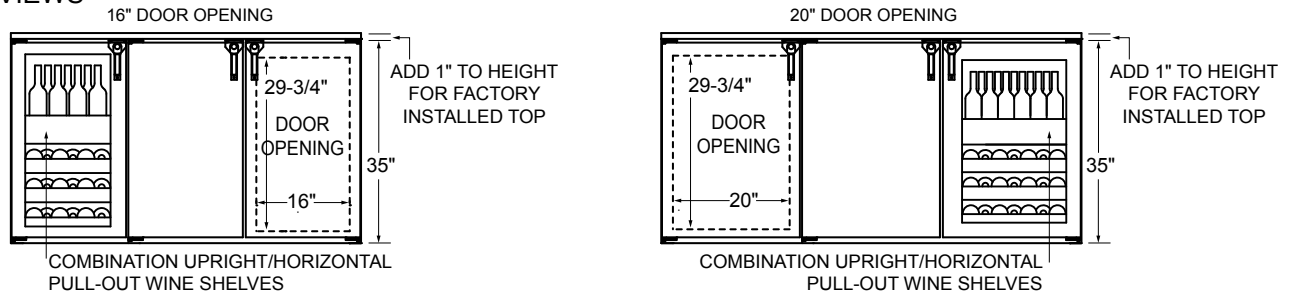
Coolers - One Zone, Remote, Bar Profile

Dimensional Information

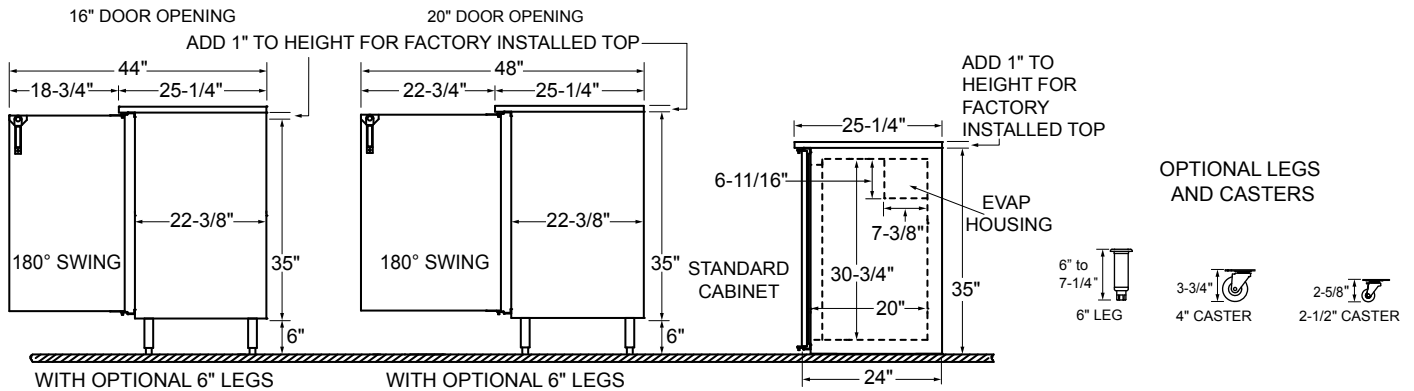
PLAN VIEWS



FRONT VIEWS



SIDE VIEWS



Note: Available with refrigeration hook-up location left or right.
*Wine bottle capacity is based on adjustable shelves.

16" Door Opening Models	X	Y	DOORS	Capacities			
				12 oz. bottles, cases	750ml wine bottles*	1/2 barrel kegs	1/6 barrel kegs
C1RB40	40"	36"	2	12.3	116	N/A	6
C1RB60	60"	56"	3	19.9	188	N/A	10
C1RB80	80"	76"	4	27.7	260	N/A	14

20" Door Opening Models	X	Y	DOORS	Capacities			
				12 oz. bottles, cases	750ml wine bottles*	1/2 barrel kegs	1/6 barrel kegs
C1RB24	24"	20"	1	7.0	60	1	2
C1RB48	48"	44"	2	16.2	148	2	7
C1RB72	72"	68"	3	25.9	234	4	11
C1RB96	96"	92"	4	35.7	318	5	17



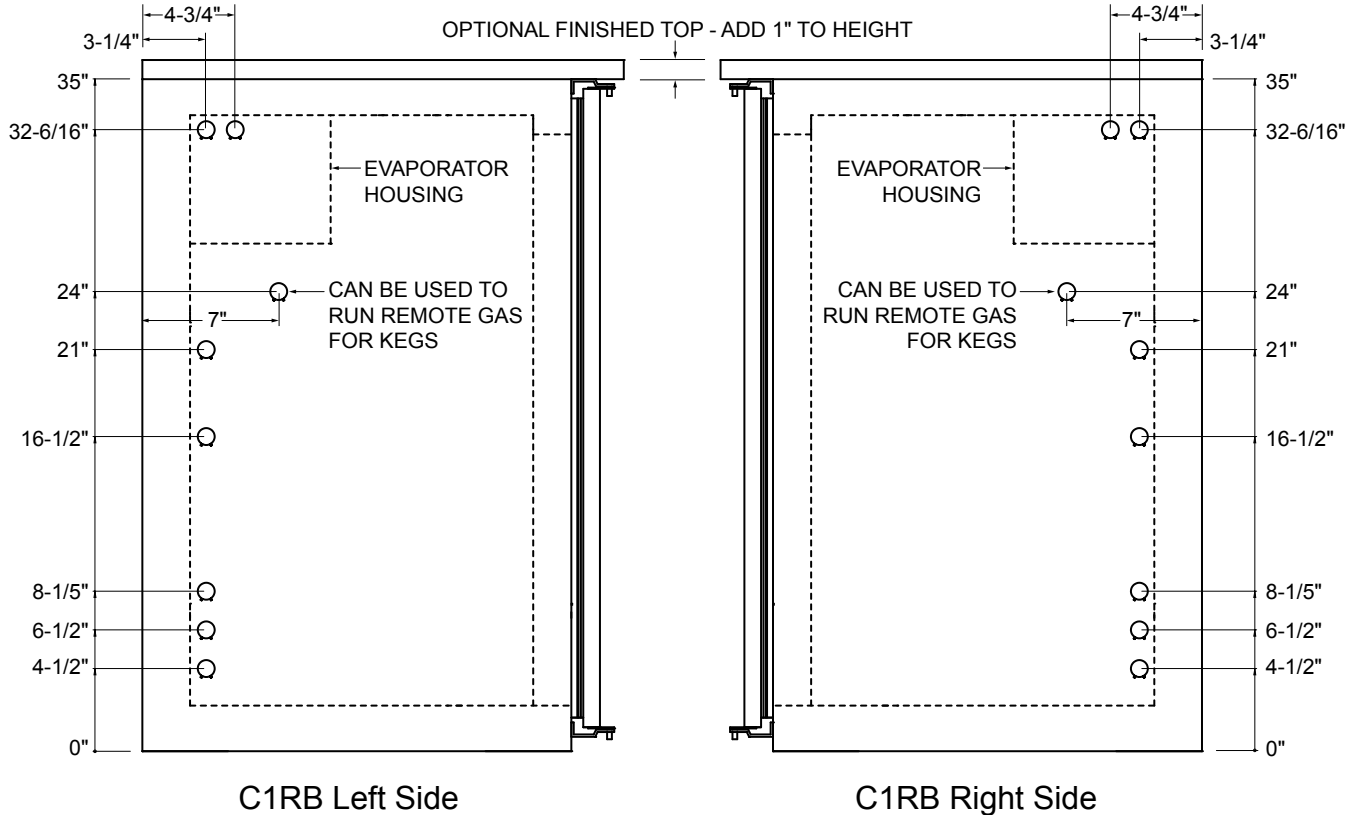
5400 N Michigan Rd • Saginaw, MI • 48604-9780
989.752.4275 • 800.748.0423 • Fax 989.752.4444
www.glastender.com

Printed in USA

Coolers - One Zone, Remote, Bar Profile

Knockout Dimensional Information

SIDE VIEW



Knockout holes will appear on the side specified for refrigeration hook-up. The series of knockouts from top to bottom allow installation flexibility to run refrigeration lines, electrical, and drain lines in various locations. There are line covers provided on the interior of the box to cover the lines.

Direct Draw Draft Beverage Towers and Accessories

Configuring Bar Profile Coolers for Draft Beverage Dispensing

All Glastender bar profile coolers can be configured for draft beverage dispensing. Please note that a minimum 17" wide door opening is required for full size (i.e., 16" diameter) 1/2 barrel kegs. Refer to the capacity statements in the Product Directory or Specification Sheet for the sizes and quantities of kegs each unit will hold.

Direct Draw Draft Beverage Towers

Glastender Beverage Towers come standard with the stainless steel faucets and shanks necessary to dispense keg beer, wine, soda, coffee, or cocktails. See individual spec pages for complete information.

Look for the Draft Beer Compatible logo



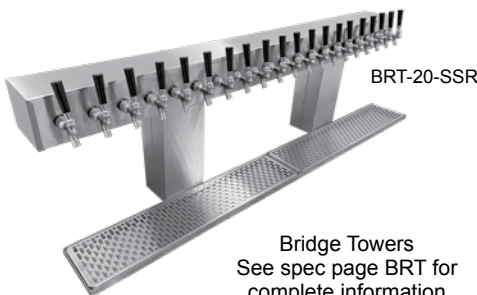
CT-3-SS

Column Towers
See spec page CT for complete information



BT-4-SS

Tee Towers
See spec page BT for complete information



BRT-20-SSR

Bridge Towers
See spec page BRT for complete information



CBT-4-MF

Cobra Towers
See spec page CBT for complete information

Tower Cooling Kits

Direct draw beverage towers are chilled by air from inside the host cooler. This is especially important for draft beer, as warm faucets cause the beer to foam.

TOWER COOLING KITS

MODEL	DESCRIPTION	WGT
TCK12-1	For 1 & 2-door coolers w/ one tower column	3#
TCK12-2	For 3 & 4-door coolers w/ two tower columns	6#
TCK34-1	For 3 & 4-door coolers w/ one tower column	8#
TCK34-2	For 3 & 4-door coolers w/ two tower columns	11#

PRIMARY REGULATOR KITS

Primary regulators are used to step down the CO₂ or nitrogen pressure from the main source. A tank mount CO₂ primary regulator attaches directly to the CO₂ tank. A bulk or in-line CO₂ primary regulator is used to splice into a CO₂ line when the CO₂ tank is shared by more than one system. A tank mount nitrogen primary regulator is used with pre-blended nitrogen and CO₂ or pure nitrogen gas. Each primary regulator kit includes 50 feet of nylon braided hose.

MODEL	DESCRIPTION	WGT
PRK-TC	Tank mount CO ₂ primary regulator kit	15#
PRK-BC	Bulk CO ₂ primary regulator kit	15#
PRK-TN	Tank mount nitrogen primary regulator kit	15#

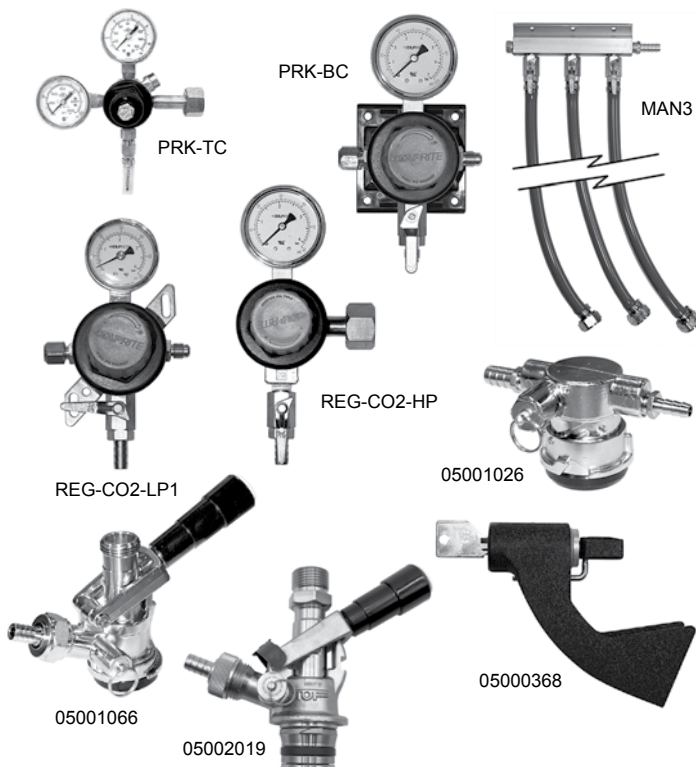
SECONDARY REGULATOR KITS

The REG-CO₂-LP1 secondary regulator kit is normally mounted inside the direct draw cooler and connects to the gas line coming from the externally mounted primary regulator. For installations with more than one keg on tap, also order the appropriate manifold kit(s). When no external source of CO₂ is available, a 5 pound CO₂ cylinder may be stored inside the cooler, which will require the REG-CO₂-HP regulator. A manifold kit will also be required if there is more than one keg on tap.

MODEL	DESCRIPTION	WGT
REG-CO ₂ -LP1	Secondary regulator kit	7#
REG-CO ₂ -HP	Primary regulator kit for use with 5# CO ₂ tank	7#
MAN2	Two product manifold kit	2#
MAN3	Three product manifold kit	3#
MAN4	Four product manifold kit	4#
MAN5	Five product manifold kit	5#
MAN6	Six product manifold kit	6#

ADDITIONAL ACCESSORIES

MODEL	DESCRIPTION	WGT
03004240	1/2" ID black drain line, per foot	N/A
05000400	5/16" ID red vinyl air line, per foot	N/A
05000386	1/4" ID nylon braided air line, per foot	N/A
05001066	Sanke keg tap, stainless steel probe	2#
05001026	Sanke keg tap, low profile	2#
05002019	U system keg coupler w/ss probe for Guinness and Harp	2#
05000368	Lock for beer faucet	2#
05000636	5# CO ₂ tank (unfilled)	15#
LCK	Line cleaning kit	
06007084	Drain bottle	



**Glas
tender**

5400 N Michigan Rd • Saginaw, MI • 48604-9780
989.752.4275 • 800.748.0423 • Fax 989.752.4444
www.glastender.com

Printed in USA