



A family company manufacturing in the USA

www.glastender.com



C1FL60 with compressor left, stainless doors and top

CONFIGURATION HIGHLIGHT



Intertek

EP 5016978

Energy Performance Verified / Rendement Énergétique Vérifié



Intertek

4004503

Conforms to NSF/ANSI STD 7 and UL STD 471  
Certified to CSA STD C22.2 No. 120 Listed to NSF Standard 7 for open food as a storage refrigerator



Intertek

### Standard Features

- Locking door(s)
- LED interior lighting
- Heated mullion to minimize condensation
- Evaporator above compressor compartment to maximize storage capacity
- Available without a finished top for integrated installation below customer supplied bar top
- Easy to remove condenser filter can be regularly cleaned to maintain condenser coil efficiency
- 180° swinging door

### Specifications

#### Electrical

- 120V, 1 phase, 60 Hz
- Full load amps - C1FL32, C1FL36 - 3.0, C1FL52, C1FL60, C1FL72, C1FL84, C1FL92, C1FL108 - 7.0
- Dedicated 15 amp circuit is required
- Includes a 6 foot NEMA 5-15P grounded cord and plug which exits the back of refrigeration compartment



5-15P

#### Refrigeration

- R290
- Compressor - C1FL32, C1FL36 - 1/8HP, C1FL52, C1FL60, C1FL72, C1FL84, C1FL92, C1FL108 - 1/4HP
- Heat rejection - C1FL32, C1FL36 - 1228 BTU/Hr, C1FL52, C1FL60, C1FL72, C1FL84, C1FL92, C1FL108 - 2867 BTU/Hr

#### Operating Range

- 34°F (1°C) to 40°F (4°C)

#### Plumbing

- Automatic condensate evaporator. No drain connection required.

Project: _____	AIA# _____
Item #: _____ Qty: _____	SIS# _____
Model #: _____	

## Coolers

### One Zone, Front Serviced, Low Profile

C1FL32, C1FL36, C1FL52, C1FL60, C1FL72, C1FL84, C1FL92, C1FL108

### C1FL Configurable Options

#### Temperature:

- Beer/Food - 34°F to 40°F
- White wine - 50°F to 55°F
- Red wine - 60°F to 65°F

#### Refrigeration Compartment Location:

- Left or Right

#### Refrigeration Compartment Cover Finish:

- Black vinyl-clad
- Unlaminated
- Stainless steel
- Jeweled stainless
- Laminated

#### Door Style & Finish:

- Door - Black vinyl-clad
- Door - Unlaminated
- Door - Stainless steel
- Door - Jeweled stainless
- Door - Laminated
- Door - Glass, black vinyl-clad
- Door - Glass, stainless steel
- Door - Glass, jeweled stainless
- Door - Glass, laminated

#### Door Hinge Location (specify for each door):

- Left or Right

#### Door Handle:

- Polished stainless
- Polished brass
- Stainless pull tab

See our Product Directory for a complete list of cooler accessories.

#### Shelving (specify per door section):

- Two adjustable shelves
- Pull-out wine shelves:
  - » w/combination upright and horizontal storage
  - » w/horizontal storage (Note: not available for the door next to the compressor compartment.)

#### Top Style:

- No finished top
- Stainless top
- Laminated top
- Drainboard top

#### 4" High Stainless Splashes (can only be ordered with stainless top):

- None
- Backsplash
- Left side splash
- Right side splash

#### Left and Right Side Finish:

- Black vinyl-clad
- Stainless steel
- Laminated

#### Back Finish:

- Galvanized steel
- Stainless steel

#### LED Lighting Style:

- Bright white (7,000k)
- Warm white (3,500k)
- Amber (2,700k)
- Blue

- Optional drainboard top - 1/2" ID drain line stubs out beneath the compressor compartment. Field connections must be made at that point.

#### Shelving

- Two adjustable coated shelves per door included (does not include sections with drawers or pull-out wine shelves)
- Three to five pull-out wine shelves per door optional

#### Materials

- Stainless steel parts include: exterior sub-top, interior, front of cabinet, hinges, hinge and lock brackets, and optional legs
- Black vinyl-clad steel parts include: standard sides, doors and compressor cover
- Galvanized steel parts include: back and bottom
- Zinc plated CR steel parts include: leg sockets

#### Weight Bearing Capacity

- Counter tops and other accessories should not exceed 500 pounds per door

Glastender, Inc. • 5400 N Michigan Rd • Saginaw, MI • 48604-9780  
989.752.4275 • 800.748.0423 • Fax 989.752.4444  
www.glastender.com

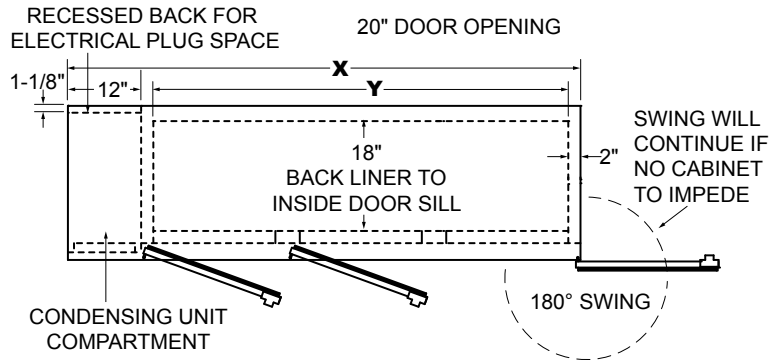
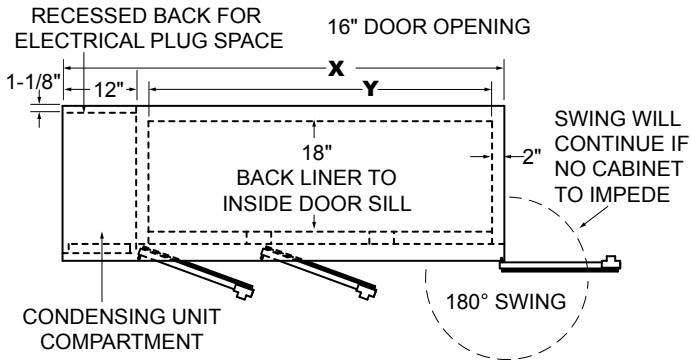
Approval/Notes:

Specifications subject to change without notice. For current specifications please visit our website.

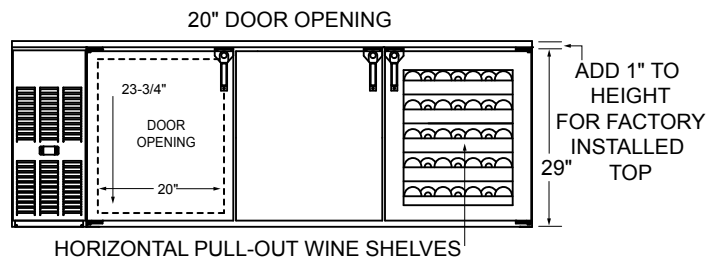
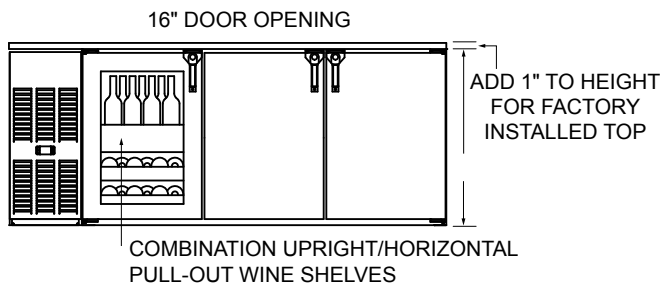
# Coolers - One Zone, Front Serviced, Low Profile

## Dimensional Information

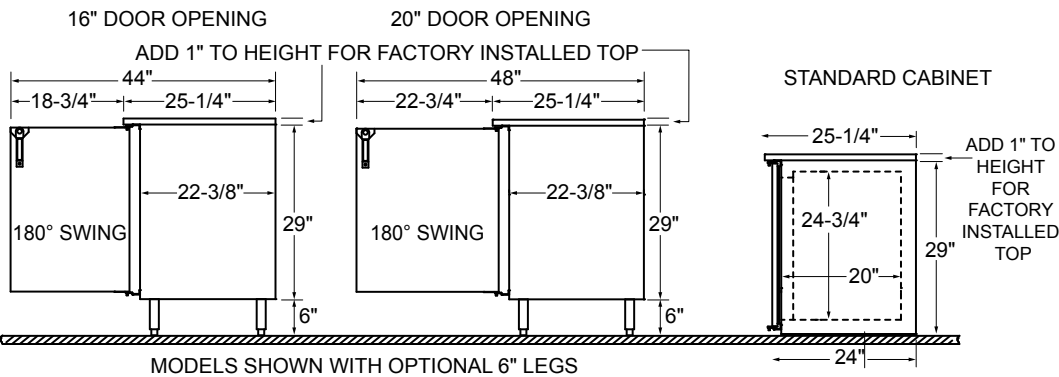
### PLAN VIEWS



### FRONT VIEWS



### SIDE VIEWS



16" Door Opening Models	X	Y	DOORS	Capacities	
				12 oz. bottles, cases	750ml wine bottles*
C1FL32	32"	16"	1	3.8	30
C1FL52	52"	36"	2	8.8	60
C1FL72	72"	56"	3	14.0	96
C1FL92	92"	76"	4	19.2	132

20" Door Opening Models	X	Y	DOORS	Capacities	
				12 oz. bottles, cases	750ml wine bottles*
C1FL36	36"	20"	1	5.2	36
C1FL60	60"	44"	2	11.5	84
C1FL84	84"	68"	3	18.0	126
C1FL108	108"	92"	4	24.5	168

### OPTIONAL LEGS AND CASTERS



Note: Available with compressor left or right. Compressor left model shown.  
\*Wine bottle capacity is based on adjustable shelves.



5400 N Michigan Rd • Saginaw, MI • 48604-9780  
989.752.4275 • 800.748.0423 • Fax 989.752.4444  
www.glastender.com