

# Glastender®

A family company manufacturing in the USA

www.glastender.com



C1FB60  
with compressor  
left, glass doors, and  
stainless top



## CONFIGURATION HIGHLIGHTS



**Intertek**

EP 5016978

Energy Performance  
Verified / Rendement  
Énergétique Vérifié



**Intertek**



**Intertek**

4004503

Conforms to NSF/ANSI STD 7  
and UL STD 471  
Certified to CSA STD C22.2 No. 120  
Listed to NSF Standard 7  
for open food as a storage refrigerator

## Standard Features

- Locking door(s)
- LED interior lighting
- Heated mullion to minimize condensation
- Evaporator above compressor compartment to maximize storage capacity
- Any door opening may be converted to a drawer section or to draft dispensing
- Available without a finished top for integrated installation below customer supplied bar top
- 180° swinging door

## Specifications

### Electrical

- 120V, 1 phase, 60 Hz
- Full load amps - C1FB32, C1FB36 - 3.0, C1FB52, C1FB60, C1FB72, C1FB84, C1FB92, C1FB108 - 7.0
- Dedicated 15 amp circuit is required
- Includes a 6 foot NEMA 5-15P grounded cord and plug which exits the back of refrigeration compartment

### Refrigeration

- R290 - 125 grams
- Compressor - C1FB32, C1FB36 - 1/8HP, C1FB52, C1FB60, C1FB72, C1FB84, C1FB92, C1FB108 - 1/4HP
- Heat rejection - C1FB32, C1FB36 - 1228 BTU/Hr, C1FB52, C1FB60, C1FB72, C1FB84, C1FB92, C1FB108 - 2867 BTU/Hr

### Operating Range

- 34°F (1°C) to 40°F (4°C)



5-15P

Project: _____	AIA# _____
Item #: _____ Qty: _____	SIS# _____
Model #: _____	

## Coolers One Zone, Front Serviced, Bar Profile

C1FB32, C1FB36, C1FB52, C1FB60,  
C1FB72, C1FB84, C1FB92, C1FB108

## C1FB Configurable Options

### Temperature:

- Beer/Food - 34°F to 40°F
- White wine - 50°F to 55°F
- Red wine - 60°F to 65°F

### Refrigeration Compartment

#### Location:

- Left or Right

### Refrigeration Compartment

#### Cover Finish:

- Black vinyl-clad
- Unlaminated
- Stainless steel
- Jeweled stainless
- Laminated

### Door/Drawer Style & Finish:

- Door - Black vinyl-clad
- Door - Unlaminated
- Door - Stainless steel
- Door - Jeweled stainless
- Door - Laminated
- Door - Glass, black vinyl-clad
- Door - Glass, stainless steel
- Door - Glass, jeweled stainless
- Door - Glass, laminated
- Drawers - Black vinyl-clad
- Drawers - Unlaminated
- Drawers - Stainless steel
- Drawers - Jeweled stainless
- Drawers - Laminated

### Door Hinge Location (specify for each door):

- Left or Right

See page 3 of this spec for a complete list of cooler accessories.

### Shelving (specify per door section):

- Three adjustable shelves
- Keg rack
- Pull-out wine shelves:
  - » w/combination upright and horizontal storage
  - » w/upright storage
  - » w/horizontal storage (Note: not available for the door next to the compressor compartment.)

### Door Handle:

(Note: drawers come with a stainless pull tab handle)

- Polished stainless
- Polished brass
- Stainless pull tab

### Top Style:

- No finished top
- Stainless top
- Laminated top

### Left and Right Side Finish:

- Black vinyl-clad
- Stainless steel
- Laminated

### Back Finish:

- Galvanized steel
- Stainless steel

### LED Lighting Style:

- Bright white (7,000k)
- Warm white (3,500k)
- Amber (2,700k)
- Blue

Glastender, Inc. • 5400 N Michigan Rd • Saginaw, MI • 48604-9780  
989.752.4275 • 800.748.0423 • Fax 989.752.4444  
www.glastender.com

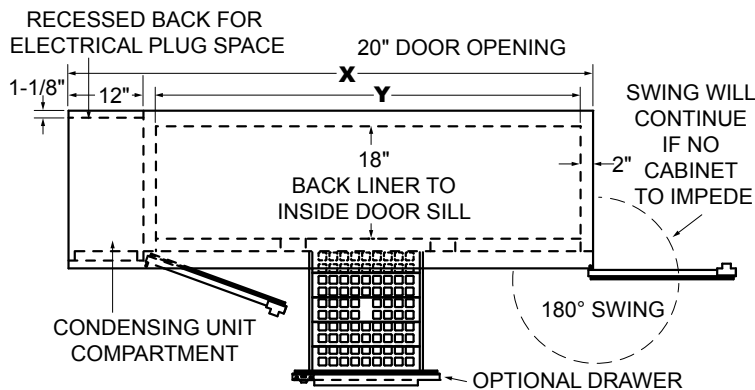
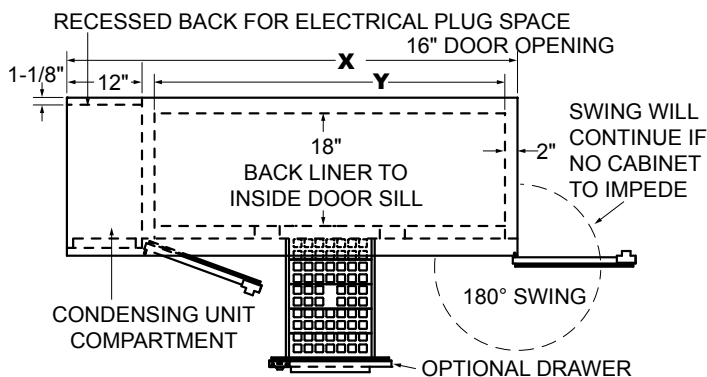
Approval/Notes:

Specifications subject to change without notice. For current specifications please visit our website.

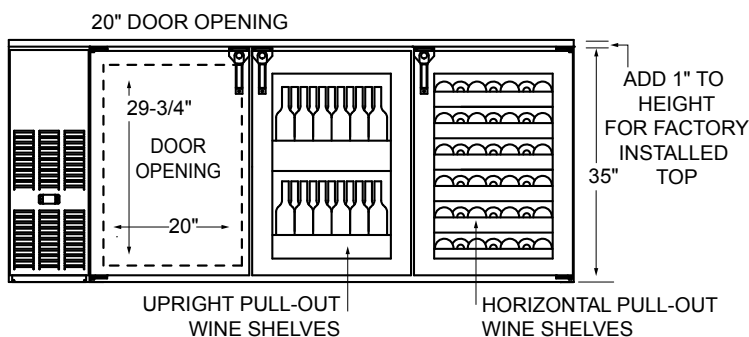
# Coolers - One Zone, Front Serviced, Bar Profile

## Dimensional Information

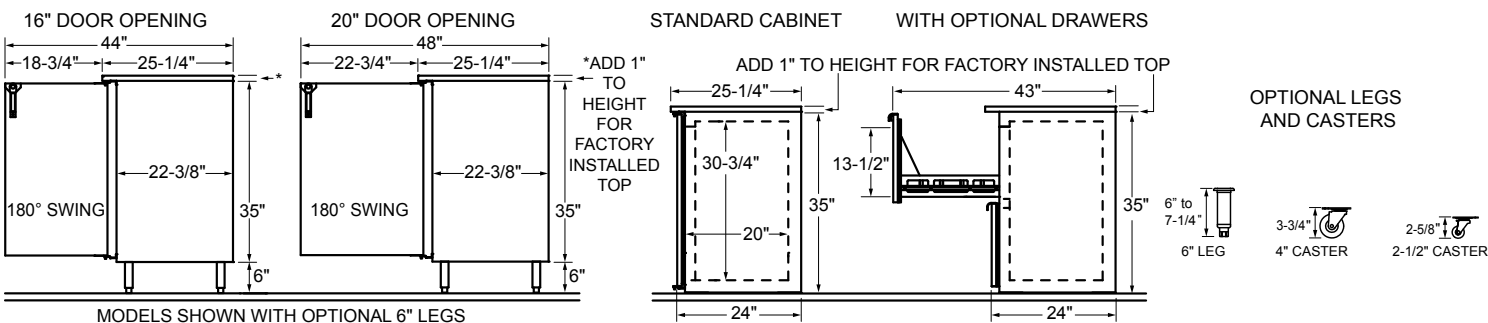
### PLAN VIEWS



### FRONT VIEWS



### SIDE VIEWS



Note: Available with compressor left or right. Compressor left model shown. \*Wine bottle capacity is based on adjustable shelves. Drawers will hold less.

16" Door Opening Models	X	Y	DOORS	Capacities			
				12 oz. bottles, cases	750ml wine bottles *	1/2 barrel kegs	1/6 barrel kegs
C1FB32	32"	16"	1	5.8	57	N/A	2
C1FB52	52"	36"	2	13.3	116	N/A	7
C1FB72	72"	56"	3	21.1	188	N/A	11
C1FB92	92"	76"	4	28.8	260	N/A	15

20" Door Opening Models	X	Y	DOORS	Capacities			
				12 oz. bottles, cases	750ml wine bottles*	1/2 barrel kegs	1/6 barrel kegs
C1FB36	36"	20"	1	7.8	70	1	4
C1FB60	60"	44"	2	17.3	164	2	8
C1FB84	84"	68"	3	27.1	248	4	14
C1FB108	108"	92"	4	36.8	332	5	18



5400 N Michigan Rd • Saginaw, MI • 48604-9780  
989.752.4275 • 800.748.0423 • Fax 989.752.4444  
www.glastender.com

Printed in USA

## Direct Draw Draft Beverage Towers and Accessories

### Configuring Bar Profile Coolers for Draft Beverage Dispensing

All Glastender bar profile coolers can be configured for draft beverage dispensing. Please note that a minimum 17" wide door opening is required for full size (i.e., 16" diameter) 1/2 barrel kegs. Refer to the capacity statements in the Product Directory or Specification Sheet for the sizes and quantities of kegs each unit will hold.

### Direct Draw Draft Beverage Towers

Glastender Beverage Towers come standard with the stainless steel faucets and shanks necessary to dispense keg beer, wine, soda, coffee, or cocktails. See individual spec pages for complete information.

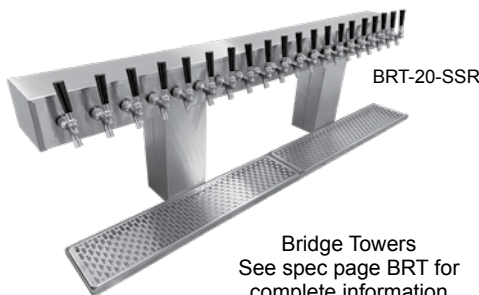
Look for the Draft Beer Compatible logo



CT-3-SS  
Column Towers  
See spec page CT for complete information



BT-4-SS  
Tee Towers  
See spec page BT for complete information



BRT-20-SSR  
Bridge Towers  
See spec page BRT for complete information



CBT-4-MF  
Cobra Towers  
See spec page CBT for complete information

### Tower Cooling Kits

Direct draw beverage towers are chilled by air from inside the host cooler. This is especially important for draft beer, as warm faucets cause the beer to foam.

#### TOWER COOLING KITS

MODEL	DESCRIPTION	WGT
TCK12-1	For 1 & 2-door coolers w/ one tower column	3#
TCK12-2	For 3 & 4-door coolers w/ two tower columns	6#
TCK34-1	For 3 & 4-door coolers w/ one tower column	8#
TCK34-2	For 3 & 4-door coolers w/ two tower columns	11#

#### PRIMARY REGULATOR KITS

Primary regulators are used to step down the CO<sub>2</sub> or nitrogen pressure from the main source. A tank mount CO<sub>2</sub> primary regulator attaches directly to the CO<sub>2</sub> tank. A bulk or in-line CO<sub>2</sub> primary regulator is used to splice into a CO<sub>2</sub> line when the CO<sub>2</sub> tank is shared by more than one system. A tank mount nitrogen primary regulator is used with pre-blended nitrogen and CO<sub>2</sub> or pure nitrogen gas. Each primary regulator kit includes 50 feet of nylon braided hose.

MODEL	DESCRIPTION	WGT
PRK-TC	Tank mount CO <sub>2</sub> primary regulator kit	15#
PRK-BC	Bulk CO <sub>2</sub> primary regulator kit	15#
PRK-TN	Tank mount nitrogen primary regulator kit	15#

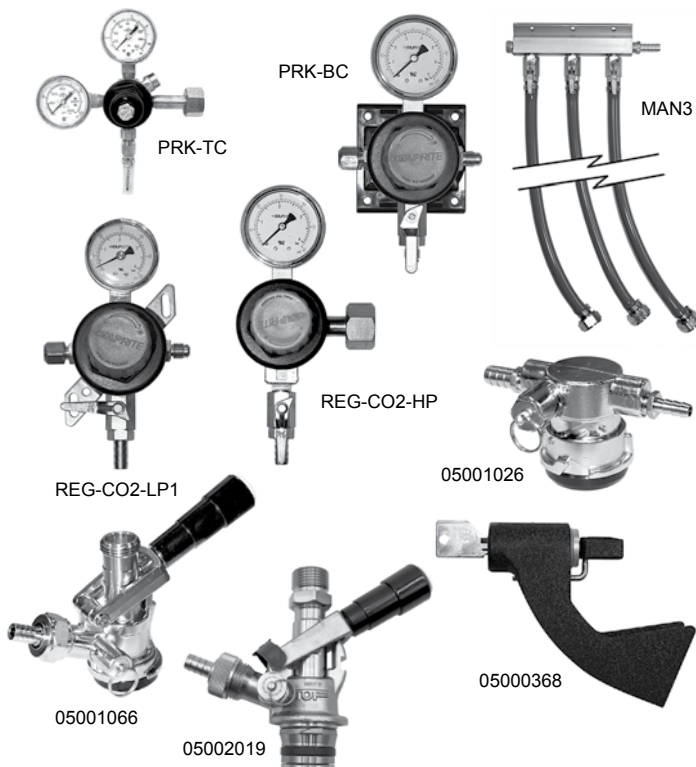
#### SECONDARY REGULATOR KITS

The REG-CO<sub>2</sub>-LP1 secondary regulator kit is normally mounted inside the direct draw cooler and connects to the gas line coming from the externally mounted primary regulator. For installations with more than one keg on tap, also order the appropriate manifold kit(s). When no external source of CO<sub>2</sub> is available, a 5 pound CO<sub>2</sub> cylinder may be stored inside the cooler, which will require the REG-CO<sub>2</sub>-HP regulator. A manifold kit will also be required if there is more than one keg on tap.

MODEL	DESCRIPTION	WGT
REG-CO <sub>2</sub> -LP1	Secondary regulator kit	7#
REG-CO <sub>2</sub> -HP	Primary regulator kit for use with 5# CO <sub>2</sub> tank	7#
MAN2	Two product manifold kit	2#
MAN3	Three product manifold kit	3#
MAN4	Four product manifold kit	4#
MAN5	Five product manifold kit	5#
MAN6	Six product manifold kit	6#

#### ADDITIONAL ACCESSORIES

MODEL	DESCRIPTION	WGT
03004240	1/2" ID black drain line, per foot	N/A
05000400	5/16" ID red vinyl air line, per foot	N/A
05000386	1/4" ID nylon braided air line, per foot	N/A
05001066	Sanke keg tap, stainless steel probe	2#
05001026	Sanke keg tap, low profile	2#
05002019	U system keg coupler w/ss probe for Guinness and Harp	2#
05000368	Lock for beer faucet	2#
05000636	5# CO <sub>2</sub> tank (unfilled)	15#
LCK	Line cleaning kit	
06007084	Drain bottle	



**Glas  
tender**

5400 N Michigan Rd • Saginaw, MI • 48604-9780  
989.752.4275 • 800.748.0423 • Fax 989.752.4444  
www.glastender.com

Printed in USA