

Project: _____	AIA# _____
Item #: _____ Qty: _____	SIS# _____
Model #: _____	

Mixology Units

C-MRS-12, C-MTS-14, C-MFT-8, C-MFS-12, C-MFT-20



★ Backsplash faucets are NSF/ANSI 61, Annex G low lead compliant

NOTE: C-MFT-8 model has no accommodation for legs and must be mounted to at least one adjacent piece of underbar.



4004503
Conforms to ANSI/NSF STD 2
Certified to CSA/CAN STD B45.4

Intertek

Optional foot-operated faucet FOF-B
Does not include C-MFT-8

Standard Features

- Manufactured with total welded construction to meet NSF® standards.
- All stainless steel construction.
- One-piece seamless top and backsplash featuring 1/4" radius corners for easy cleaning.
- Adjustable thermoplastic bullet feet (does not include C-MFT-8).
- C-MRS-12 model - Includes backsplash faucet, push-down rinser faucet to rinse shaker cans, and a lift-out perforated plastic sink strainer.
- C-MTS-14 model - Includes backsplash faucet, push-down rinser faucet to rinse shaker cans, a lift-out perforated plastic sink strainer, and a 6" diameter seamless welded draining dipper well and faucet for mixology tools.
- C-MFT-8 model - includes push-down rinser faucet to rinse shaker cans, a 6" diameter seamless welded draining dipper well and faucet for mixology tools, and a 7-1/2" x 7-1/2" cutting board that is securely mounted but easily removable for cleaning. NOTE: No legs. Must mount to adjacent underbar.
- C-MFS-12 model - Includes backsplash faucet, a lift-out perforated plastic sink strainer, and an 8" x 11" cutting board that is securely mounted but easily removable for cleaning.
- C-MFT-20 model - Includes backsplash faucet, push-down rinser faucet to rinse shaker cans, a lift-out perforated plastic sink strainer, a 6" diameter seamless welded draining dipper well and faucet for mixology tools, an 8" x 11" cutting board that is securely mounted but easily removable for cleaning, and an ice scoop well.
- Backsplash faucet may be converted to foot-operated. Specify accessory number FOF-B. Does not include MFT-8.

To view cleaning and care instructions, please visit:
https://www.glastender.com/PDF/F-423-011_ss_clean_care.pdf

Specifications

Drain for sinks and dipper wells

- 1-1/2" I.P.S. Threaded drain will fit Dearborn part #8033 slipnut and part #W-573P washer.

Backsplash Faucet

- Backsplash mounted on 4" centers, accepts 3/8" sink leads, hot and cold water connections required
- Optional foot-operated faucet: single hole, (2) 1/2" NPT female inlets and (1) 1/2" NPT female outlet. Does not include MFT-8.
- NSF/ANSI 61, 372 low lead compliant

Dipper Well Faucet (on C-MFT-8, C-MTS-14, & C-MFT-20 models)

- Accepts 3/8" cold water lead

Rinser Faucet (on C-MRS-12, C-MTS-14, C-MFT-8, & C-MFT-20 models)

- Accepts 3/8" cold water lead
- 30 psi water pressure regulator included

Sink Bowl Dimensions (C-MFT-8 does not include a sink)

- 9-1/4" by 11-1/2" by 6" deep

Legs (C-MFT-8 has no legs, must mount to adjacent underbar)

- 1-5/8" diameter, 16 gauge stainless steel
- Thermoplastic bullet feet

Materials

- 20 gauge stainless steel parts include: all components unless otherwise noted

⚠ WARNING: The plastic wet waste strainer included with this product can expose you to chemicals including Bisphenol A (BPA), which is known to the State of California to cause birth defects or other reproductive harm. For more information, go to www.P65Warnings.ca.gov.
Warning applies to State of California only. Part #03000483

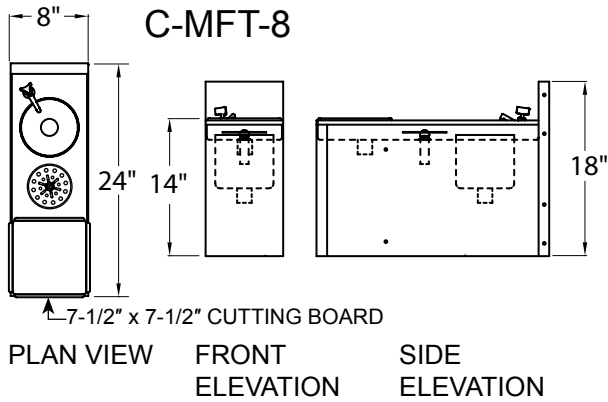
Glastender, Inc. • 5400 North Michigan Road • Saginaw, MI • 48604-9780
989.752.4275 • 800.748.0423 • Fax 989.752.4444
www.glastender.com

Approval/Notes:

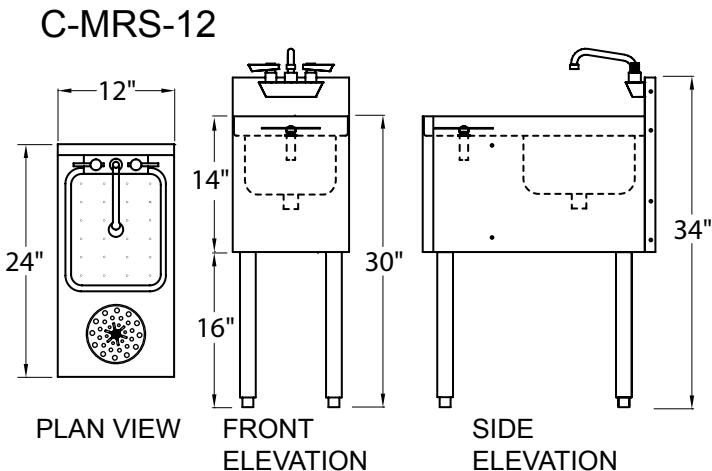
Specifications subject to change without notice. For current specifications please visit our website.

Choice Mixology Units

Dimensional Information



NOTE: MFT-8 model has no accommodation for legs and must be mounted to at least one adjacent piece of underbar.



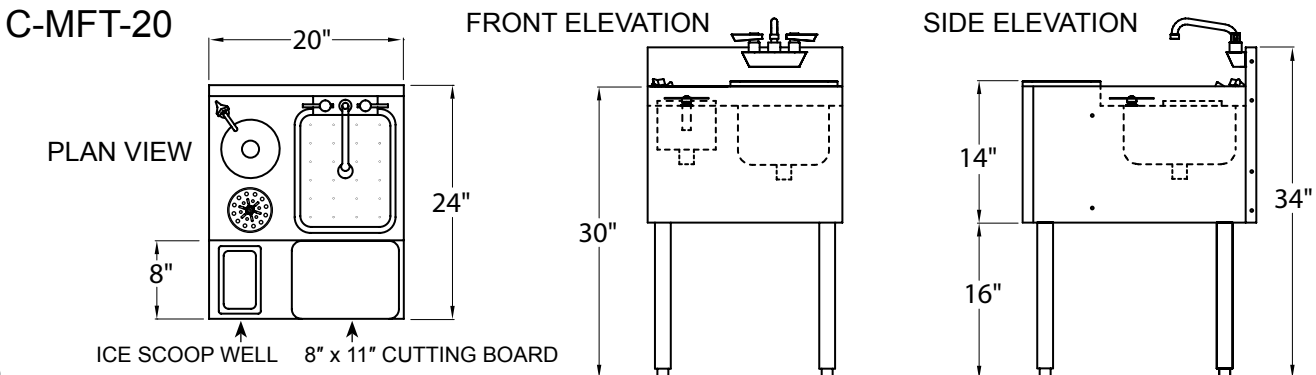
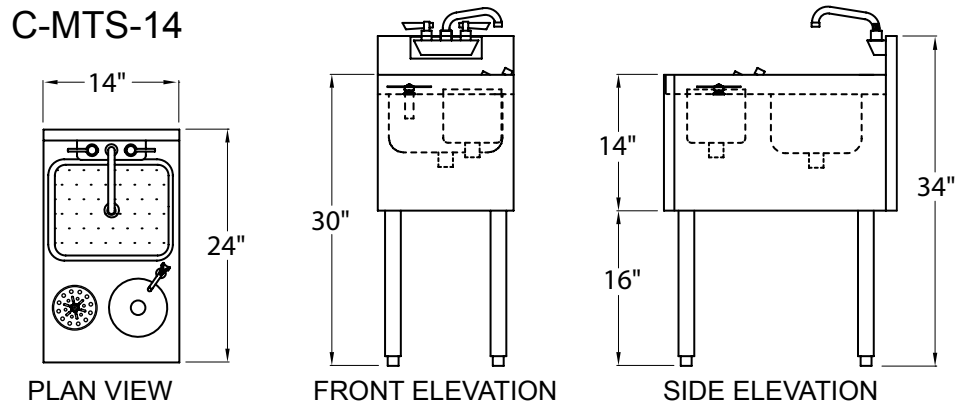
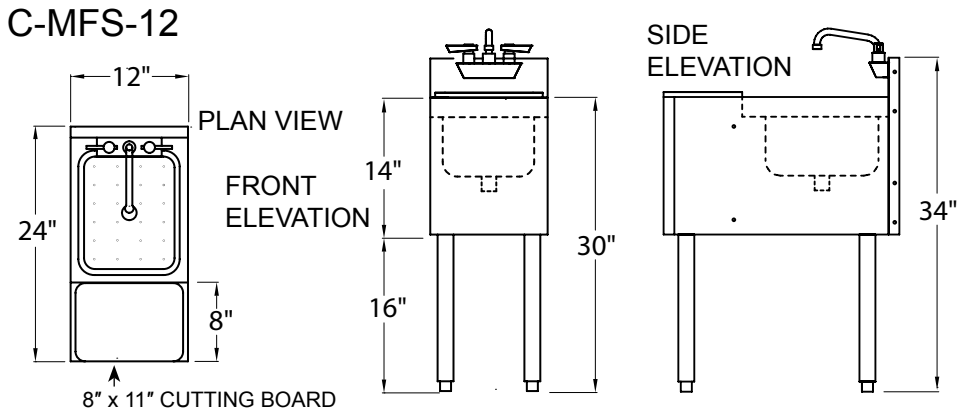
Rinser Faucet Installation Notes

- Important: Unit must be installed in conformance with applicable federal, state, and local plumbing codes, including adequate backflow when required.
- Must install backflow prevention device conforming to ANSI/ASSE 1022 or ANSI/ASSE 1024 to meet plumbing code (not included).
- Install in-line water regulator (included).
- A separate shut-off valve is recommended (not included).

03012383
Rinser Faucet
Assembly



Intertek
4004503
Conforms to NSF/ANSI STD 372



Glastender, Inc. • 5400 North Michigan Road • Saginaw, MI • 48604-9780
989.752.4275 • 800.748.0423 • Fax 989.752.4444 • www.choicebyglastender.com

Printed in USA