



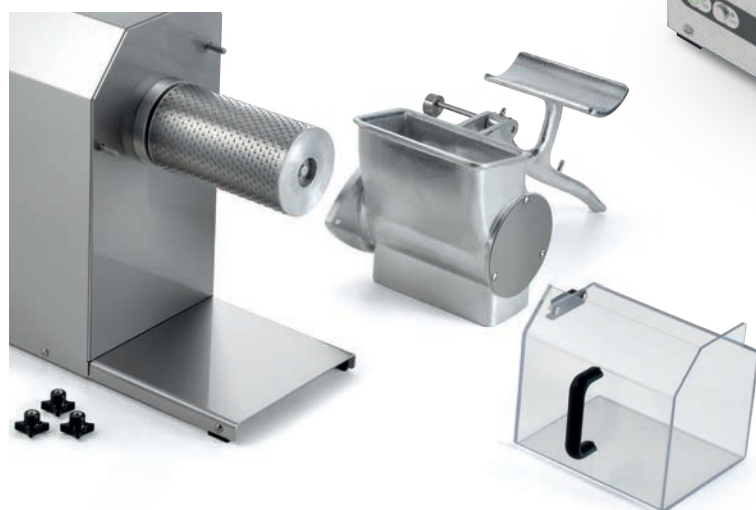
GFX HP 1,5 - 110V

GFX HP 2 - 220V

GF HP 4

Hard cheese graters, heavy-duty

GFX HP 2 models  
features a removable hopper for ease of cleaning  
**The only one in the market**



- Powerful, reliable heavy-duty cheese and bread graters, suitable for medium to large applications.
- 120V and 220V direct gear-driven motors.
- Overload and no volt release protection.
- Specially milled stainless steel drum.
- GFX HP 2 hopper removes for ease of cleaning. The only one in the market!
- Handle interlock deactivates unit when hopper is open.

## Features

### Technical

- The drum is made from milled stainless steel for longer lasting performance and always perfectly grated product output
- 1/16" tooth for very finely grated product.
- The gear-driven motor easily processes the toughest products.
- Featuring heavy duty fan cooled motors with thermal overload relay

### Safety

- An interlock prevents the machine from starting when the handle is not lowered enough and stops the machine when the handle is lifted.
- Overcurrent and no volt release protection.

### Sanitary

- Removable hopper for ease of cleaning (GFX HP 2 models)
- Plexiglas® catch pan, dishwasher safe.

**Optional:** Stainless steel catch pan option

## Specifications

### Construction:

Stainless steel body with anodized aluminum hopper.  
Specially milled stainless steel drum.

**Output GFX Hp 1,5-110V:** Up to 3.6 Lbs./Min.

**Output GFX Hp 2-220V:** Up to 4 Lbs./Min.

**Output GF Hp 4:** Up to 8 Lbs./Min.

**Electrical GFX Hp 1,5-110V:** 120V, 60Hz, single-phase, 12A - 1.5 HP

**Electrical GFX Hp 2-220V:** 220V, 60Hz, single-phase, 6A - 2 HP, 14 AWG

**Electrical GF Hp 4:** 220V, 60Hz, 3-phase, single-phase, 13.36A - 4HP

**Plug & Cord:** Attached plug, flexible, 3 wire SJT 16 AWG, 6' long cord.

**Controls, GFX series:** ON/OFF stainless steel keypad. IP 67 waterproof.

No voltage release.

**Controls GF 4 Hp:**

Green ON & Red OFF (0) buttons + Emergency button.

No-voltage release.



Certified to UL Standard 763  
 Certified to CSA Standard C22.2  
**GFX Hp 1.5 - GFX Hp 2**



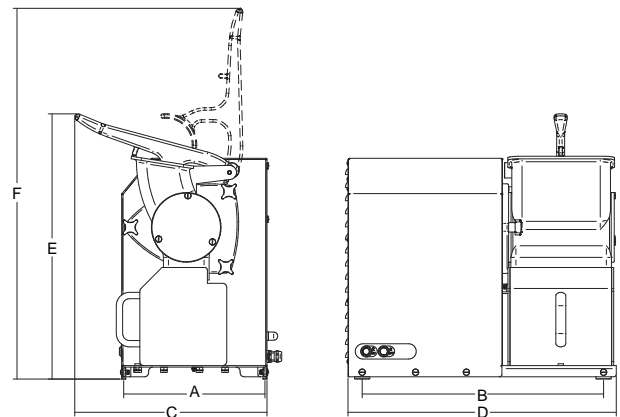
**GFX Hp 1.5**



**GF Hp 4**



**GFX Hp 1.5**  
 Optional s/steel tray



|                   | Power    | Power source                    | Drum revolutions | Mouth dimensions  | A                                  | B                                  | C                                 | D                                  | E                                  | F                                  | Net weight | Shipping        | Gross weight |
|-------------------|----------|---------------------------------|------------------|---|------------------------------------|------------------------------------|-----------------------------------|------------------------------------|------------------------------------|------------------------------------|------------|-----------------|--------------|
|                   | watt/Hp  | 120V, 60Hz, 12 Amp.             | r.p.m.           | inch  | inch.                              | inch.                              | inch.                             | inch.                              | inch.                              | inch.                              | lbs.       | inch.           | lbs.         |
| <b>GFX Hp 1.5</b> | 1100/1.2 | 120V, 60Hz, 12 Amp.             | 1.680            | 5 <sup>33</sup> / <sub>64</sub> " x 3 <sup>5</sup> / <sub>32</sub> "  | 10 <sup>15</sup> / <sub>64</sub> " | 15 <sup>35</sup> / <sub>64</sub> " | 14 <sup>8</sup> / <sub>64</sub> " | 17 <sup>53</sup> / <sub>64</sub> " | 16 <sup>7</sup> / <sub>32</sub> "  | 24 <sup>1</sup> / <sub>64</sub> "  | 55         | 29" x 14" x 20" | 62           |
| <b>GFX Hp 2</b>   | 1400/2   | 220V, 60Hz, 6 Amp.              | 1.680            | 7 <sup>1</sup> / <sub>2</sub> " x 3 <sup>3</sup> / <sub>4</sub> "     | 10 <sup>15</sup> / <sub>16</sub> " | 18 <sup>45</sup> / <sub>64</sub> " | 14 <sup>7</sup> / <sub>8</sub> "  | 20 <sup>25</sup> / <sub>32</sub> " | 20 <sup>35</sup> / <sub>64</sub> " | 28 <sup>47</sup> / <sub>64</sub> " | 75         | 36" x 36" x 25" | 125          |
| <b>GF Hp 4</b>    | 3000/4   | 220V, 60Hz, 3 phase, 13.36 Amp. | 1.680            | 11 <sup>13</sup> / <sub>16</sub> " x 6 <sup>5</sup> / <sub>16</sub> " | 13 <sup>8</sup> / <sub>8</sub> "   | 27 <sup>8</sup> / <sub>16</sub> "  | 25 <sup>3</sup> / <sub>16</sub> " | 29 <sup>1</sup> / <sub>2</sub> "   | 25 <sup>3</sup> / <sub>16</sub> "  | 43 <sup>5</sup> / <sub>16</sub> "  | 139        | 33" x 34" x 33" | 176          |