

# Set-up Stations

## Mobile Stainless Steel



Model 98412  
(Shown in Maple finish)

### Add Organization And Enhance The Appearance Of Dining Areas

#### Benefits

- ▼ Add attractive service functionality to patios and indoor dining areas
- ▼ Easy mobility to provide dining room flexibility

#### Features

- ▼ Stainless steel welded construction
- ▼ Sealed disposal receptacle for waste liquids
- ▼ Choice of stainless steel or laminate exterior finishes
- ▼ Concealed casters provide built-in look
- ▼ Open and concealed storage

#### Casters

- ▼ All-swivel 5" cushion tread



Model 98418



Liquid disposal and waste chute



Sealed 7-gallon waste liquid receptacle

#### Specifications:

Unit shall be of welded stainless steel construction and shall have 18-gauge sides and 16-gauge top. Interior compartment floor shall be 18-gauge stainless steel. Top shall have 6" high backsplash wall on three sides. Open compartment(s) shall include three sets of adjustable-height universal ledges to accommodate bus tubs or various trays. Unit top shall feature a refuse chute and drop-in stainless steel drainage sink for liquid waste. Sink shall drain to a sealed 7-gallon polyethylene waste liquid receptacle. Enclosed compartment shall include space for liquid receptacle and waste bin (bin not included). Hinged compartment door shall have recessed paddle latch. 5" all-swivel casters with cushion tread wheels shall be recessed/hidden and shall be fastened to a stainless steel dolly frame for extra strength.

Spec. # \_\_\_\_\_

AIA # \_\_\_\_\_



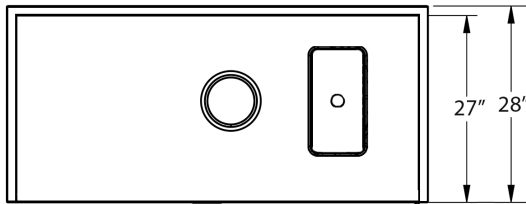
Geneva Designs, LLC

4900 West Electric Avenue • West Milwaukee, WI 53219 U.S.A.

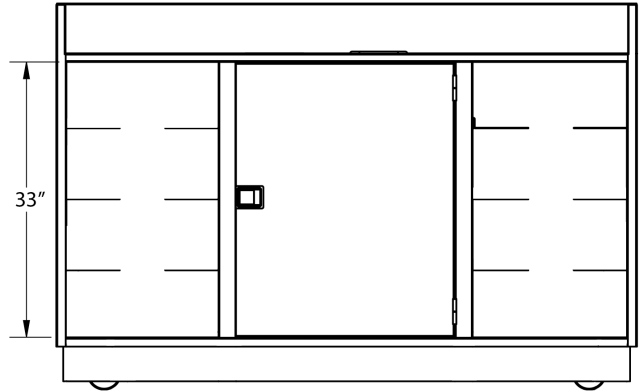
800-870-2779 • 414-902-6400 • Fax 414-902-6446 • www.genevadesignsllc.com

# Set-up & Bussing Stations

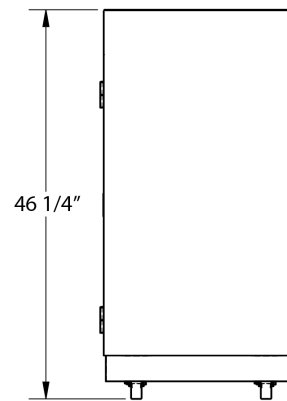
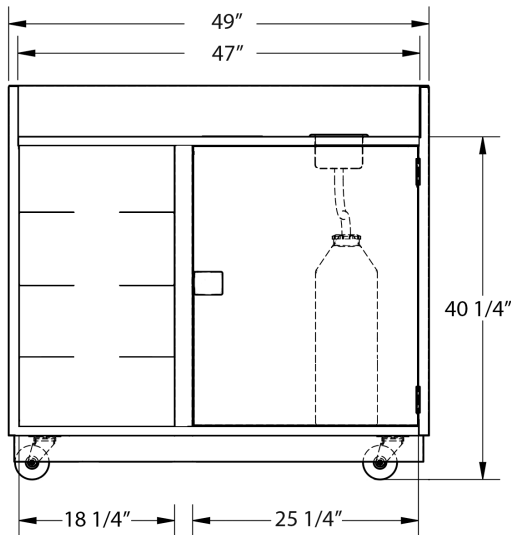
## Mobile Stainless Steel



Model 98412



Model 98418



### Product Information:

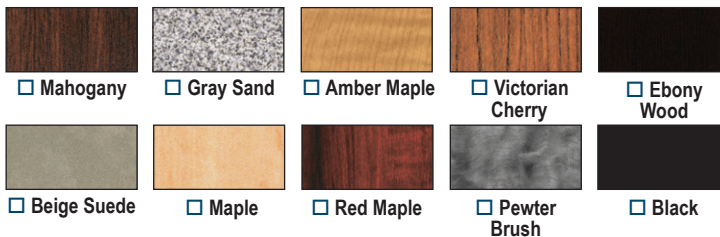
Model	Overall Size			Encl. Compartment			Open Compartment(s)			Case Wt. Lbs. (Kg)
	W	D	H	W	D	H	W	D	H	
98412	49"	28"	46 1/4"	25 1/4"	26 3/4"	33"	18 1/4"	26 3/4"	33"	362 (164)
98418	70"	28"	46 1/4"	25 1/4"	26 3/4"	33"	18 1/4"	26 3/4"	33"	384 (174)

Dimensions in ( ) denote metric millimeters, unless otherwise noted.

### Options:

- Leveling feet (in place of casters)
- 6" wide tread casters
- Plumbed sink with faucet (Model 98418 only)
- Removable overshelf (full)
- Removable overshelf (half)

### Available Laminate Finishes



### Accessories:

- 23-gal. poly waste bin (20" x 11" x 30") \_\_\_\_\_

**Custom Laminate Finishes Available.**



**Geneva Designs, LLC**

4900 West Electric Avenue • West Milwaukee, WI 53219 U.S.A.

800-870-2779 • 414-902-6400 • Fax 414-902-6446 • www.genevadesignsllc.com