



SIMPLICITY™ BUBBLER® MINI-TWIN

Project Date Models **CS-2E-16, CS-2E-16-S, CS-2E-22, CS-2E-22-S, CS-2E-10, CS-2E-10-S** Item# Quantity



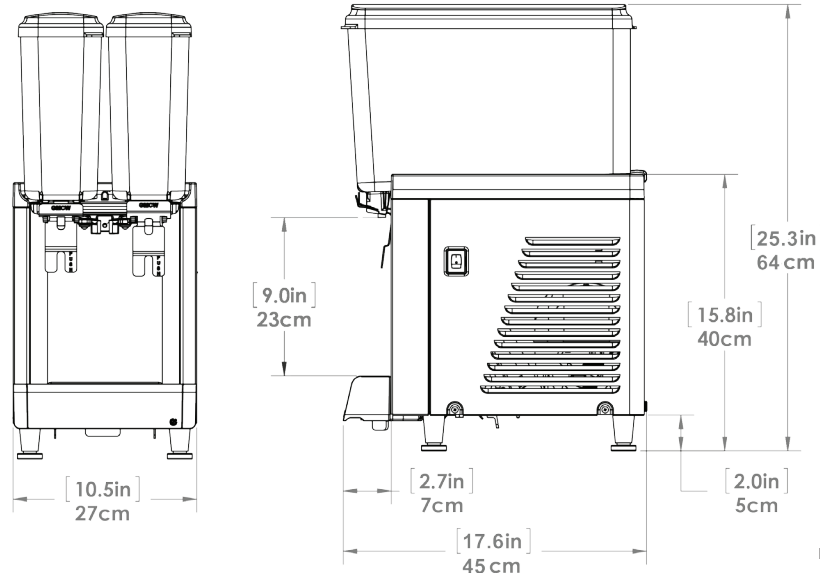
model CS-2E-16-S

Features

- Pre-mix dispenser with stainless steel base and clear plastic bowls.
- Spray or Agitation model available.
- Agitation function for fresh juices, coffees, or teas with minimal foaming system.
- Spray function attracts more customers with dynamic moving product.
- New easy-off bowl release system for faster and easier assembly and disassembly.
- Compact size of 10.5" (27 cm) wide saves valuable counter space.
- Can be placed side by side, due to air intake from bottom and exhaust to back.
- Dispense 2 flavors in 2.4 gallon (9 L) easy-clean bowls with 9" (23 cm) cup clearance.
- User friendly design enables machine to dispense product till the very last drop.
- Less wear, providing longer lifetime of parts.
- Fewer removable parts to simplify cleaning and reduce maintenance.
- Temperature range from 35 - 41° F (1.7 - 5° C).

Models & Dimensions

Simplicity™ Bubbler® Mini-Twin



model CS-2E represented

Specifications

| Model | Description | Electrical | Product Dimensions (H x W X D) | Ship Weight in Two Boxes |
|---|--|--------------------------|--|---|
| CS-2E-16 (Base: (231-00001) Bowl: (231-00002) | (2) 2.4 gallon (9 L) bowls, agitator model. cULus, NSF Certification | 115V / 60 Hz 3.6 A | 25.3" x 10.5" x 17.6" (64 cm x 27 cm x 45 cm) | Total: 72 lbs. (32.7 kg) Base: 53 lbs. (24 kg) Bowl: 19 lbs. (8.6 kg) |
| CS-2E-16-S Base: (231-00197) Bowl: (231-00150) | (2) 2.4 gallon (9 L) bowls, spray model. cULus, NSF Certification | 115V / 60 Hz 3.6 A | 25.3" x 10.5" x 17.6" (64 cm x 27 cm x 45 cm) | Total: 72 lbs. (32.7 kg) Base: 53 lbs. (24 kg) Bowl: 19 lbs. (8.6 kg) |
| CS-2E-22 (Base: (231-00001) Bowl: (231-00002) | (2) 2.4 gallon (9 L) bowls, agitator model. cULus, NSF, CE, CCC, KTC Certification | 230V / 50/60 Hz 1.5 A | 25.3" x 10.5" x 17.6" (64 cm x 27 cm x 45 cm) | Total: 72 lbs. (32.7 kg) Base: 53 lbs. (24 kg) Bowl: 19 lbs. (8.6 kg) |
| CS-2E-22-S Base: (231-00197) Bowl: (231-00150) | (2) 2.4 gallon (9 L) bowls, spray model. cULus, NSF, CE, CCC, KTC Certification | 230V / 50/60 Hz 1.5 A | 25.3" x 10.5" x 17.6" (64 cm x 27 cm x 45 cm) | Total: 72 lbs. (32.7 kg) Base: 53 lbs. (24 kg) Bowl: 19 lbs. (8.6 kg) |
| CS-2E-10 (Base: (231-00001) Bowl: (231-00002) | (2) 2.4 gallon (9 L) bowls, agitator model. cULus, NSF, CE, CCC, KTC Certification | 100V / 50/60 Hz 3.6 A | 25.3" x 10.5" x 17.6" (64 cm x 27 cm x 45 cm) | Total: 72 lbs. (32.7 kg) Base: 53 lbs. (24 kg) Bowl: 19 lbs. (8.6 kg) |
| CS-2E-10-S Base: (231-00197) Bowl: (231-00150) | (2) 2.4 gallon (9 L) bowls, spray model. cULus, NSF, CE, CCC, KTC Certification | 100V / 50/60 Hz 3.6 A | 25.3" x 10.5" x 17.6" (64 cm x 27 cm x 45 cm) | Total: 72 lbs. (32.7 kg) Base: 53 lbs. (24 kg) Bowl: 19 lbs. (8.6 kg) |

Options

Condenser Filter (210-00118) - Protect your condenser with a simple and easy to clean filter

Merchandiser Kit (231-00227) - Attract more customers to unit with extra graphics

BPA-Free Bowl (231-00009T) - Dishwasher safe 9L bowl

BPA-Free Lid (210-00125T) - Dishwasher safe lid for 9L bowl

BPA-Free Pump Cover (210-00128T) - Dishwasher safe

Liquid Autofill Control Box (250-00051) - Not for use with RO water systems

