

# Warmer Stations



**BW-2**



**BW-2SU**



**BW-2T**



**BW-3T**



**GRINDMASTER™**  
CORPORATION



## Warmer Stations

### Features

- Space saving designs
- Attractive appearance styled to complement any decor
- Stainless with black warmer plates
- Expand your brewing center by combining multiple warmers with your brewers

#### ***BW-3T Features***

- Three tier warmer
- Space-saving 7-1/2" (19 cm) wide design
- Perfect companion for your decanter brewer

#### ***BW-2T Features***

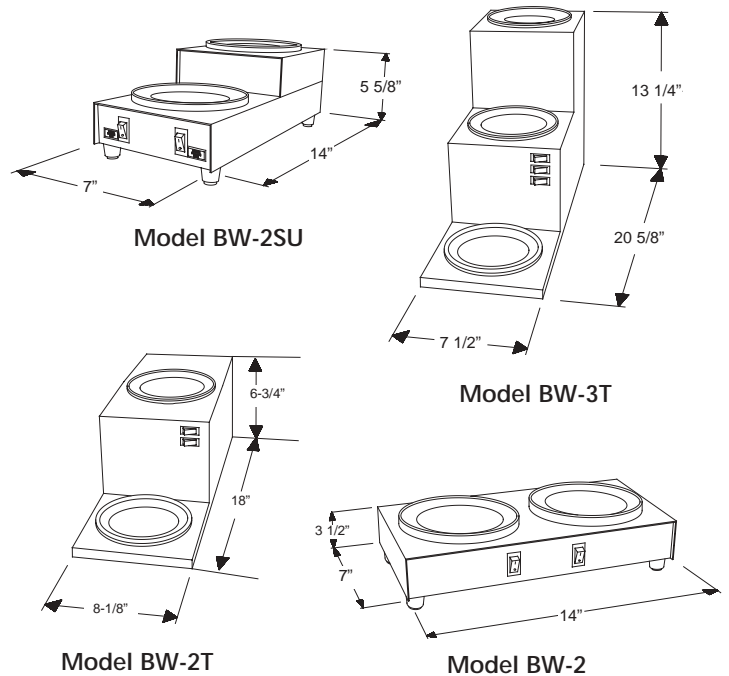
- Two tier warmer
- Space-saving 8-1/8" (21 cm) wide design

#### ***BW-2 Features***

- Double warmer

#### ***BW-2SU Features***

- Two tier warmer



Specifications	Model BW-3T	Model BW-2T	Model BW-2	Model BW-2SU
Volts/Watts/Amps	120V / 300W / 2.5A	120V / 200W / 1.7A	120V / 200W / 1.7A	120V / 200W / 1.7A
# Warmers	3	2	2	2
Dimensions (H x W x D)	13-1/4" x 7-1/2" x 20-5/8" (34 cm x 19 cm x 53 cm)	6-3/4" x 8-1/8" x 18" (17 cm x 21 cm x 46 cm)	3-1/2" x 14" x 7" (9 cm x 36 cm x 18 cm)	5-5/8" x 7" x 14" (14 cm x 18 cm x 36 cm)
Ship Dimensions (H x W x D)	18" x 10" x 25" (46 cm x 25 cm x 64 cm)	9" x 10" x 20" (23 cm x 25 cm x 51 cm)	4" x 16-1/4" x 10" (10 cm x 41 cm x 25 cm)	7" x 10" x 16" (18 cm x 25 cm x 41 cm)
Ship Weight	12 lbs (5 kg)	8-1/2 lbs ( kg)	4 lbs (2 kg)	5-1/2 lbs (2.5 kg)
Listings	UL, CUL, NSF	UL, CUL, NSF	UL, CUL, NSF	UL, CUL, NSF

All specifications are subject to improvement or change without notice.

Ask about Grindmaster Corporation's line of Coffee Grinders, Coffee Brewers, Coffee Urns, Coffee Shuttles, Coffee Grinderbrewers, Espresso Grinders, Espresso Brewers, Beverage Dispensers Granita Machines and Beverage Freezers.



**GRINDMASTER™**  
CORPORATION

Grindmaster® Coffee Grinders and Brewers • Espresso® Espresso Machines • Crathco® Hot Beverage Dispensers  
Crathco® Cold and Frozen Beverage Dispensers • American Metal Ware® Coffee and Tea Systems

Tel (502) 425-4776 • Fax (502) 425-4664 • 1-800-695-4500

P.O. Box 35020 • Louisville, KY 40232 • USA