

# Master Series Open Burner Range Attachment

Project \_\_\_\_\_  
Item \_\_\_\_\_  
Quantity \_\_\_\_\_  
CSI Section 11400  
Approved \_\_\_\_\_  
Date \_\_\_\_\_

## Master Open Burner Range Attachment

### Models

- M12S
- M12T



Model M12S  
12" Range Attachment  
With 2 Open Burners

### Standard Features

- Stainless steel front and sides
- Stainless steel door (M12S Model)
- 6" (152mm) chrome steel adjustable legs (M12S Model)
- 7-1/2" (191mm) stainless steel front rail
- Two 24,000 BTU (7.03 kW), natural; 20,000 BTU (5.86 kW) propane, open top Starfire burners
- Removable ring grate over each burner
- Cast iron top grates
- Storage base interior of aluminized steel (M12S Model)

### Options & Accessories

- Stainless steel common front rail up to 102" (2591mm) wide (two or more units in a battery)
- Stainless steel main back
- Storage base shelf of aluminized or stainless steel
- Stainless steel tubular high shelf, single or double deck
- Stainless steel backguard: 10" (354mm), 17" (432mm) or 33" (838mm) high
- Rear gas connection, 3/4" NPT
- Gas regulator 3/4" or 1-1/4"
- Gas shut off valve; 3/4", 1" or 1-1/4" NPT
- Gas flex hose & quick disconnect (3/4", 1" or 1-1/4" NPT x 5') w/ restraining device, please specify
- End caps and cover (no charge)-must specify
- Set of (4) Polyurethane non-marking swivel casters w/front brakes
- 6" (152mm) stainless steel adjustable legs
- Set of 4 deck fasteners (stainless steel flanged feet)
- Dais base, (S model w/o legs)

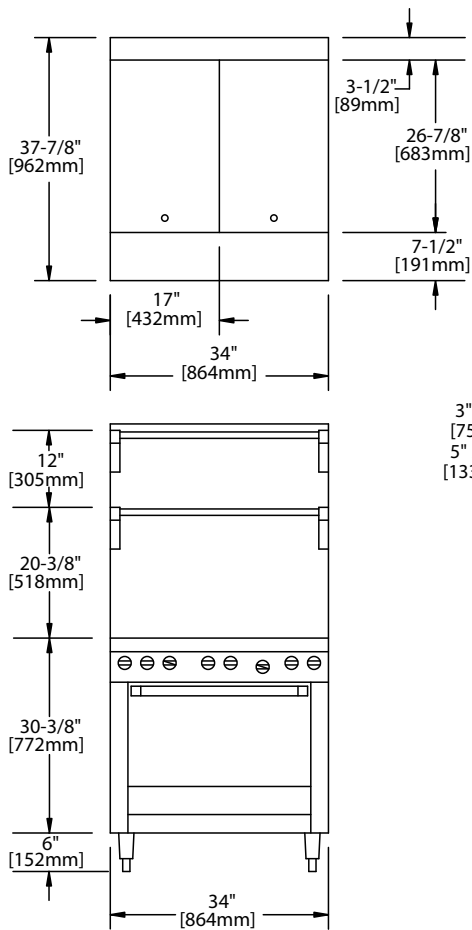
### Specifications

Heavy-duty gas range attachment with storage base, Model M12S. Two (2) 24,000 BTU (7.03 kW) Starfire burners. Heavy-duty cast iron top grates/ring grates. 12" (305mm) wide x 38" (965mm) deep, including 7-1/2" (191mm) deep stainless steel front rail. Stainless steel front and sides. 48,000 BTU (14.06 kW) total. Natural or propane gas. Also available with modular top, suffix T. Free standing units only available with flanged feet deck fasteners to anchor unit.



Note: Range-based convection oven models can be located in the middle of a battery, banked back-to-back with other equipment, and can be positioned against a wall

# Master Open Burner Range Attachment



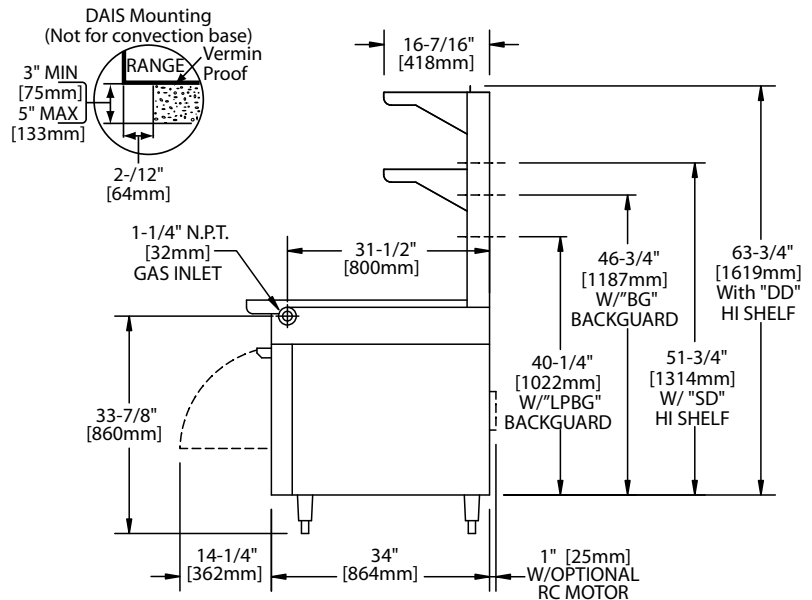
<sup>1</sup>NOTE: Installation clearance reductions are applicable only where local codes permit.

Data applies only to North America

Gas input ratings shown here are for installations up to 2,000 ft. (610m) above sea level. Specify altitudes over 2,000 ft.

Please specify gas type when ordering.

Garland/U.S. Range products are not approved or authorized for home or residential use, but are intended for commercial applications only. Garland / U.S. Range will not provide service, warranty, maintenance or support of any kind other than in commercial applications



Product	Width:	Depth:	Height (w/ NSF Legs)	Height (w/o NSF Legs)
M12S	12" (305mm)	38" (965mm)	36-3/8" (924mm)	30-3/8"(772mm)
M12T	12" (305mm)	38" (965mm)	N/A	9-1/2"(241mm)*

\*Modular top has 1-1/2" seating flanges.

INPUT-BTU/hr (Natural Gas)	M12S	M12T
2 Open Burners (24,000 BTU each)*	48,000 (14.06kW)	48,000 (14.06kW)

\* Each Open Burner rated 20,000BTU (5.86kW) for Propane Gas, 40,000 BTU (11.72kW) total

S= Attachment w /storage base, T=Modular Top w/o storage base

INSTALLATION NOTES			Shipping Wt: (Lb/Kg) - Cu Ft
Combustible Wall Clearances <sup>1</sup>	Entry Clearances	Manifold Operating Pressure	
Sides: 11" (280mm) Back: 6" (152mm)	Crated: 22-1/4" (565mm) Uncrated: 12-1/4" (311mm)	Natural: 6" WC (15mbar) Propane: 10" WC (25mbar)	M12S 160/116 - 16 M12T 80/36 - 6

Welbilt reserves the right to make changes to the design or specifications without prior notice.