



Mirage Deli Service Case



Features

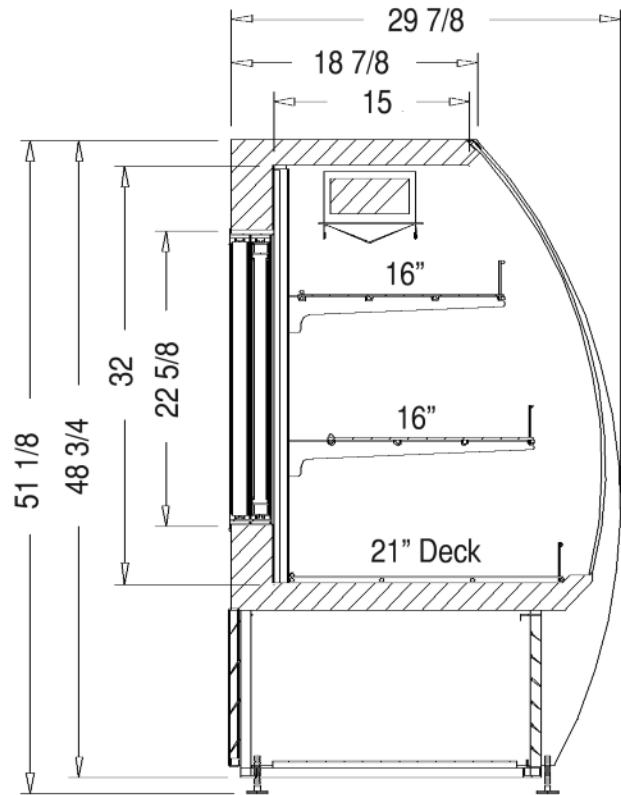
- Reflective polarized film on rear glass doors to avoid visibility of back area, and enhance exhibition area
- 2 rear sliding glass doors
- 3 levels of display
- 2 levels with LED illumination
- Reinforced steel base
- Heavy duty condensing unit for R-134a
- Polyurethane insulation with cyclopentane as blowing agent

Model No.	Description	Voltage	Amps	Temp	HP	Est. Ship Weight
MIRAGE-4-DC-B	2 Doors/3 Levels of display	115	4.5	36°F - 40°F	1/4	404#
MIRAGE-6-DC-B	2 Doors/3 Levels of display	115	5.2	36°F - 40°F	1/3	476#



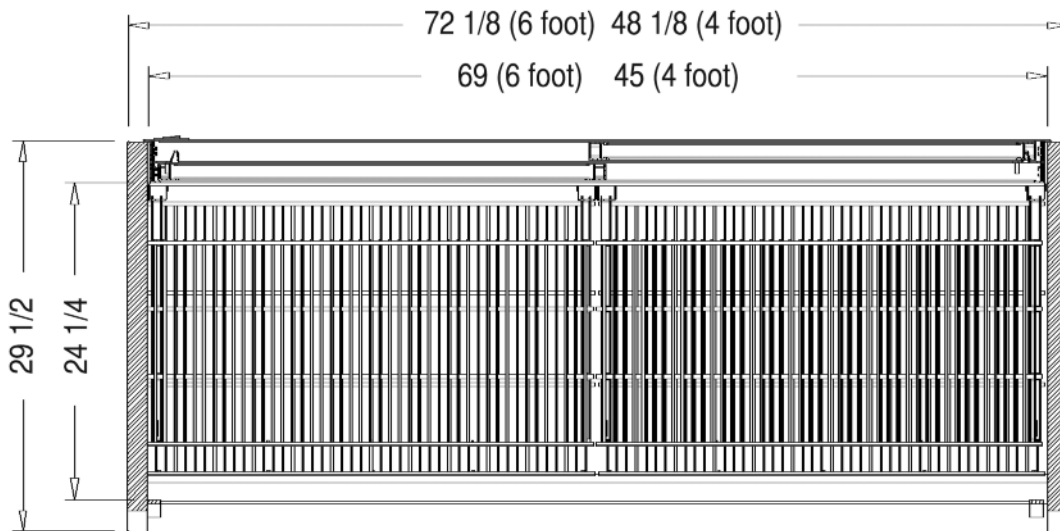
Technical Data / Mirage Deli Service Case

MODEL #	MIRAGE-4-DC	MIRAGE-6-DC
OUTSIDE DIMENSIONS		
Depth	29.88"	29.88"
Length	48.00"	72.00"
Height	52.00"	52.00"
Door Size	23.00" x 21.00"	34.00" x 21.00"
Door Type	2 sliding	2 sliding
INSIDE DIMENSIONS		
Depth	23.00"	23.00"
Length	45.00"	69.00"
Height	32.00"	32.00"
Shelf Size	(4) 21.00" x 16.00"	(4) 33.00" x 16.00"
Main Deck Size	(2) 22.00" x 21.00"	(2) 34.25" x 21.00"
# of Shelves	4	4
Capacity: Cubic Foot	19	24
SPECIFICATIONS		
Operating Temperature	36°F to 40°F	36°F to 40°F
Refrigerant	134a	134a
Compressor Size HP	1/3	1/3
Voltage	115	115
Amperage	4.5	5.2
Cord and Plug	yes	yes
SHIPPING DIMENSIONS		
Depth	36.00"	36.00"
Length	54.00"	78.00"
Height	58.00"	58.00"
Gross Weight lbs.	404	476



SIDE VIEW

- Cases are designed to operate at 75°F and 55% relative humidity.
- Specification subject to change without notice.



TOP VIEW