



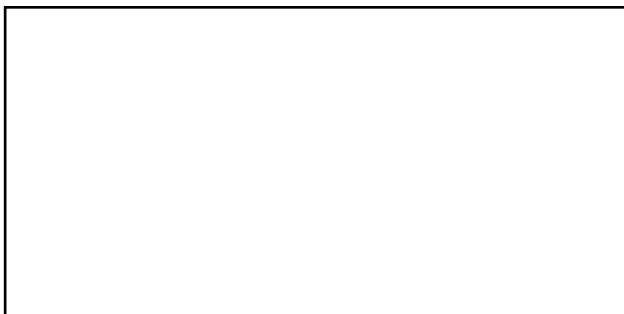
FOOD EQUIPMENT

SERVING THE FOOD INDUSTRY SINCE 1951

10" x 18" RIBBED PANINI GRILL WITH TIMER

Item: 42914

Model: PG-CN-0711-RT



Authorized Dealer



WARRANTY
PARTS AND LABOR



FOOD EQUIPMENT

10" x 18" RIBBED PANINI GRILL WITH TIMER



Thermostat Control



Removable Drip Tray



Removable Timer (2 AAA Batteries required)



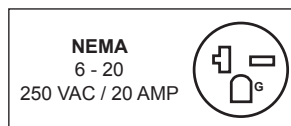
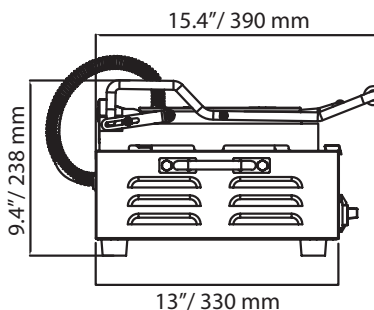
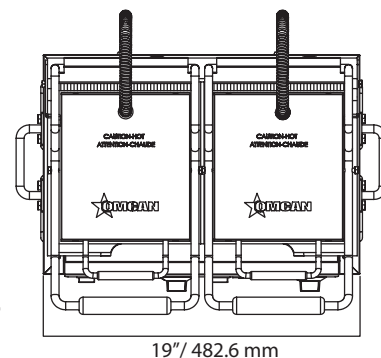
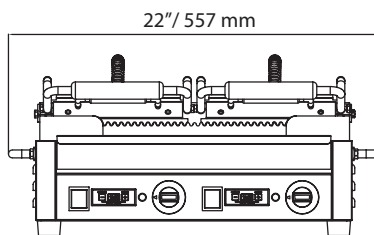
Rubbed Top & Bottom Grill Plates



Heavy Duty Grill Brush

Features

- Ideal for sandwiches, burgers, quesadillas, panini, focaccia, breakfast sandwiches and pita sandwiches
- Constructed with a stainless steel body and heavy-duty cast iron grill which ensures easy cleaning
- Equipped with timer to maximize work efficiency
- Easy to remove drip tray
- Heat-resistant handles for safe operations



TECHNICAL SPECIFICATION

ITEM NUMBER	42914
MODEL	PG-CN-0711-RT
GRILL SURFACE	10" x 18" / 254 x 457 mm
THERMOSTAT CONTROL	60-300 °C / 140-572 °F
WATTS	3200
ELECTRIC	220V/60Hz/1
TOP GRILL	Ribbed
BOTTOM GRILL	Ribbed
GROSS WEIGHT	73 lbs.
DIMENSIONS (WDH)	22" x 15.4" x 9.4" (Close), 22.25" (Open) / 557 x 390 x 238mm (Close), 571.5mm (Open)
GROSS DIMENSIONS	20" x 23" x 14" / 508 x 584 x 355.6 mm

OMCAN INC.

Telephone: 1-800-465-0234

Fax: (905) 607-0234

Email: sales@omcan.com

Website: www.omcan.com



Follow us to keep up to date with the latest news and offers



2017.E&OE