



FOOD EQUIPMENT

SERVING THE FOOD INDUSTRY SINCE 1951

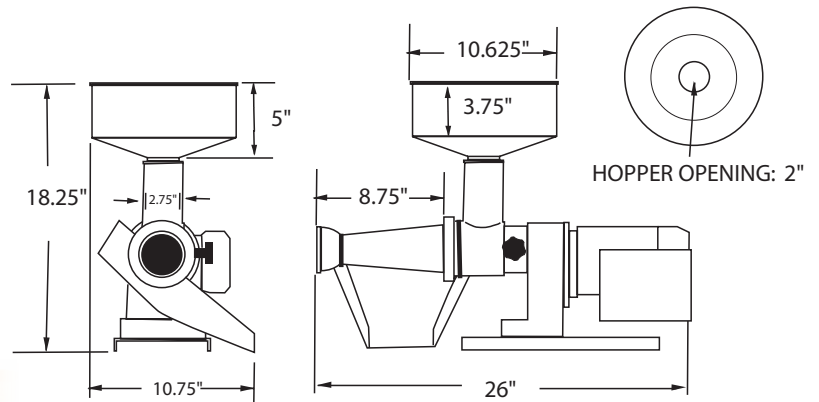
0.57 - 1.25 HORSEPOWER TOMATO SQUEEZER WITH STAINLESS STEEL COVER

Item: 41420
Model: TS-IT-0180

TECHNICAL DRAWING WITH DIMENSIONS



Item may not be exactly as shown



TECHNICAL SPECIFICATION

ITEM NUMBER	41420
MODEL	TS-IT-0080
DESCRIPTION	Electric
MAX POWER	1.25 HP / 920W
RATED POWER	0.57 HP / 430W
RPM	96
ELECTRICAL	110V/60/1
WEIGHT	40 lbs./ 18 kg
GROSS WEIGHT	42 lbs./ 19 kg
DIMENSIONS (DWH)	26" x 10.75" x 18.25" / 66 x 27 x 46 cm
GROSS DIMENSIONS	25" x 16" x 13" / 63 x 40.6 x 33 cm



OMCAN INC.

Telephone: 1-800-465-0234
Fax: (905) 607-0234
E-mail: sales@omcan.com
Website: www.omcan.com



Follow us to keep up to date with the latest news and offers



2015.E.O.E