



FOOD EQUIPMENT

SERVING THE FOOD INDUSTRY SINCE 1951

1800-WATT SINGLE PANINI GRILL WITH FLAT TOP AND BOTTOM

ITEM: 21465 MODEL: PG-CN-0679-F

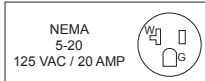


THE PERFECT GRILL TO SERVE YOUR FAVORITE SANDWICHES ANYTIME

Omcan's 12" x 15" Smooth Sandwich Grill has a stainless steel body with cast iron grilling surfaces for easy cleaning. Ideal for panini, foccacia, and pita sandwiches.



WARRANTY
PARTS AND LABOR



Authorized Dealer

FOOD EQUIPMENT

1800-WATT SINGLE PANINI GRILL WITH FLAT TOP AND BOTTOM



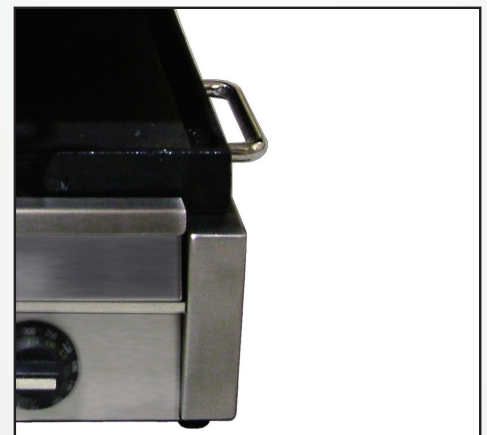
TECHNICAL SPECIFICATIONS

ITEM NUMBER	21465
MODEL	PG-CN-0679-F
GRILL SURFACE	12" x 15" / 304.8 x 381 mm
THERMOSTAT CONTROL	572° F / 300° C
AMPS	16
POWER	1.8 kW / 1800 W
ELECTRIC	120 V / 60 Hz / 1 Ph
TOP GRILL	Flat / Smooth
BOTTOM GRILL	Flat / Smooth
NET WEIGHT	69.4 lbs. / 31.5 kg.
GROSS WEIGHT	71.72 lbs. / 32.5 kg.
DIMENSIONS (DWH)	17.2" x 16" x 9.7" / 438 x 410 x 248 mm
PACKAGING DIMENSIONS	22" x 21" x 13.5" / 559 x 533 x 343 mm

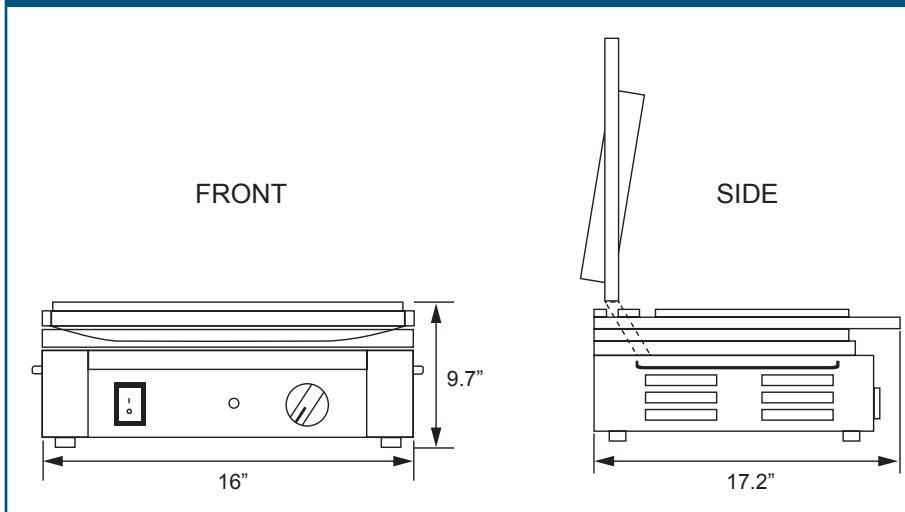
DETAILED SHOTS



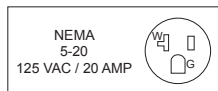
TEMPERATURE CONTROL ON/OFF SWITCH



TECHNICAL DRAWING AND DIMENSIONS



WARRANTY
PARTS AND LABOR



OMCAN INC.

Telephone: 1-800-465-0234

Fax: (905) 607-0234

Email: sales@omcan.com

Website: www.omcan.com



Follow us to keep up to date with the latest news and offers



2016.E.O.E