



KITCHEN EQUIPMENT

SERVING THE FOOD INDUSTRY SINCE 1951

10-INCH BLADE SLICER Item: 19067 Model: MS-CN-0250



EXCELLENT MEAT SLICER PERFECT FOR YOUR KITCHEN

■ *Perfect for low volume operations*

Omcan's 10-inch blade slicer have anodised aluminum alloy body. Boasting a 0.20 horsepower, it offers exceptional cutting consistency and durability. Easy to disassemble for quick cleaning.



WARRANTY
PARTS AND LABOR



NEMA
5 - 15
125 VAC / 15 AMP



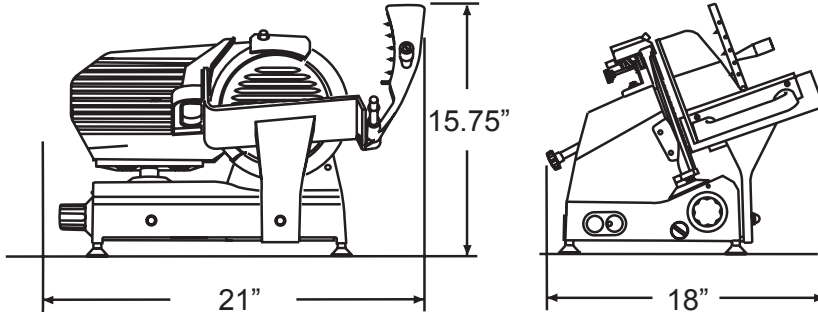
Authorized Dealer

KITCHEN EQUIPMENT

10-INCH BLADE SLICER | MS-CN-0250



TECHNICAL DRAWINGS AND DIMENSIONS



TECHNICAL SPECIFICATIONS

ITEM NUMBER	19067
MODEL	MS-CN-0250
BLADE SIZE	10" / 250 mm
CUT THICKNESS	0.2 - 15 mm
CUTTING SIZE	7" x 10" / 177.8 x 254 mm
POWER	0.20 HP / 0.15 kW
CHEESE SLICING*	
SLICING VOLUME*	20 mins.
RPM	150
ELECTRICAL	110V / 60Hz / 1Ph
WEIGHT	39.6 lbs. / 18 kg.
GROSS WEIGHT	43 lbs. / 19.55 kg
DIMENSIONS (WDH)	21" x 18" x 15.75" / 533.4 x 457.2 x 400 mm
GROSS DIMENSIONS	23" x 19" x 17" / 584.2 x 482.6 x 431.8 mm

*CHEESE SLICING RATINGS: NOT RECOMMENDED → POOR → AVERAGE → GOOD → EXCELLENT →

*Results may vary due to product consistency and temperature.

FEATURES

- Anodised aluminium alloy body
- High carbon steel blades are hard chromed, with a hollow ground taper for extended sharpening and blade life
- Offers exceptional cutting consistency and durability
- Carriage moves smoothly on ball bearings allowing effortless cutting of deli meats and vegetables
- Easy to disassemble for quick cleaning
- Perfect for low volume operations

PRODUCT DETAILS



OMCAN INC.

Telephone: 1-800-465-0234

Fax: (905) 607-0234

Email: sales@omcan.com

Website: www.omcan.com



Follow us to keep up to date with the latest news and offers



2016.E.O.E