



The Signature of Quality®

### FEDERAL INDUSTRIES

A Standex Company  
215 Federal Avenue  
Belleville, WI 53508-9201

Phone: 800-356-4206  
Fax: 608-424-3234  
Email: geninfo@federalind.com  
Website: www.federalind.com

Project Name: \_\_\_\_\_

Item #: \_\_\_\_\_

Model #: \_\_\_\_\_ Qty: \_\_\_\_\_

Approval: \_\_\_\_\_

AIA#

SIS#

## REFRIGERATED SELF-SERVE HIGH PROFILE DAIRY MERCHANDISER 60"H x 35"W

Designed with impulse sales in mind. Get maximum return from an attention-grabbing merchandiser and increase profits.



Model RSSD678SC Shown

MODEL	DIMENSIONS ( Includes End Panels )
<input type="checkbox"/> RSSD360SC	36 x 34.25 x 60.25 (in) 914 x 895 x 1530 (mm)
<input type="checkbox"/> RSSD460SC	47.25 x 34.25 x 60.25 (in) 1200 x 895 x 1530 (mm)
<input type="checkbox"/> RSSD560SC	59.25 x 34.25 x 60.25 (in) 1810x 895 x 1530 (mm)
<input type="checkbox"/> RSSD660SC	71.25 x 34.25 x 60.25 (in) 2318 x 895 x 1530 (mm)

### STANDARD FEATURES

#### Model Features

- Choice of six standard laminates on exterior. Other color laminates optional. Black metal front grill and galvanized back.
- Silver trim and black optional.
- Stainless steel display deck, glass and white interior ends, white interior back panel.
- Automatic defrost.
- Energy saving night curtain.
- Insulated with high-density urethane foam.
- Continuous line-ups are available for remote applications.
- Front air intake / front & rear discharge
- Condenser Air Filter
- Adjustable Leg Levelers
- Condensate Pan

#### Refrigeration

- Electronic Temperature Control with on-demand defrost
- Refrigeration controls maintain 35° to 40°F. Note: Case temperature will vary if the air curtain is disrupted.
- Average product temperature of 38°F (3.3°C) to 40°F (4.4°C). Note: Case temperature will vary if the air curtain is disrupted.
- Thermometer.
- R449a Refrigeration

#### Shelving

- Four tiers of adjustable white metal shelves with price tag molding. Shelves can be flat or slanted.

#### Lighting

- 3500K LED Top light Vertical LED lights.
- DLC Certified, IP66 rated.

#### Agency Approvals

- UL, C-UL and UL Sanitation listed to NSF-7, Type I conditions
- DOE 2017 compliant

### OPTIONAL ACCESSORIES

- |  |   |
|--|---|
| <input type="checkbox"/> Special Laminate  | <input type="checkbox"/> Cord & Plug (Self-Contained Models Only)   |
| <input type="checkbox"/> Removable Night Cover   | <input type="checkbox"/> 6" Legs  |
| <input type="checkbox"/> Joining Kit for Continuous Line-ups   | <input type="checkbox"/> Remote Refrigeration with Condensate Pump (EEV Included)   |
| <input type="checkbox"/> Rear Access Doors   | <input type="checkbox"/> Condensate Evaporator Assembly (Field Install) (Separate 120V, 20A Circuit Required) (Remote Only) |
| <input type="checkbox"/> Black Trim  | <input type="checkbox"/> Condensate Pump  |
| <input type="checkbox"/> Black Interior  | <input type="checkbox"/> Rear Air Inlet & Outlet (Front Knee Wall Application)  |
| <input type="checkbox"/> 2 1/2" (63.5 mm) or 4" (101.6mm) Casters (Self Contained Models Only) Cord Included |   |



**WARRANTY\***  
One year Parts and Labor  
2nd thru 5th year part only service compressor  
(U.S.A and Canada)

Note: Information is subject to change at any time. Visit [www.federalind.com](http://www.federalind.com) for the most current specs.

AIA#	<b>REFRIGERATED SELF-SERVE HIGH PROFILE DAIRY MERCHANDISER 60"H x 35" W</b>
SIS#	Product Specifications

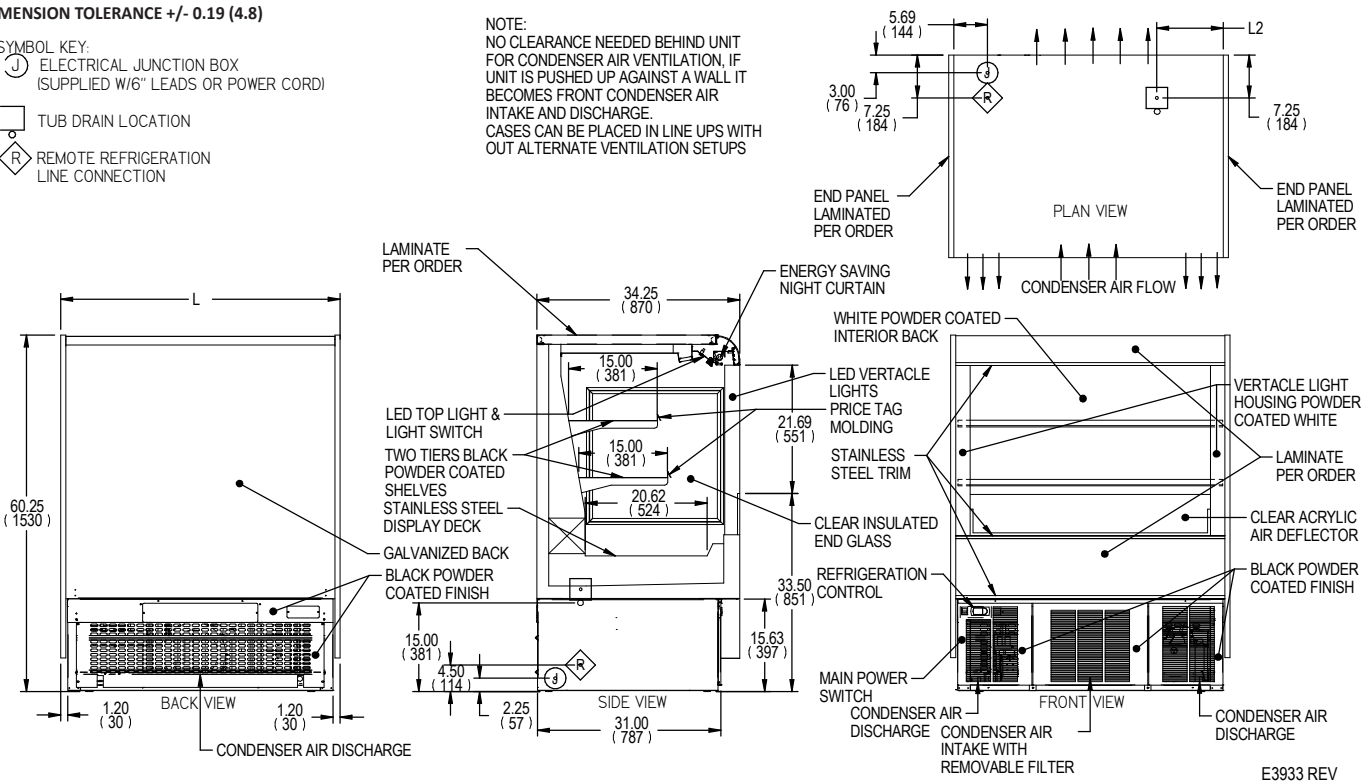
Intended Environment: Type I - Designed to operate in maximum ambient conditions of 75°F (24°C) and 55% relative humidity unless noted otherwise in system information below.

Zone	Intended Product To Be Displayed	Avg Prod Temp °F/°C
All	Packaged Refrigerated Products	38°F / (3.3°C)

**DIMENSION: xx"/(mm)**  
**DIMENSION TOLERANCE +/- 0.19 (4.8)**

- SYMBOL KEY:
- ELECTRICAL JUNCTION BOX (SUPPLIED W/6" LEADS OR POWER CORD)
  - TUB DRAIN LOCATION
  - REMOTE REFRIGERATION LINE CONNECTION

NOTE:  
 NO CLEARANCE NEEDED BEHIND UNIT FOR CONDENSER AIR VENTILATION, IF UNIT IS PUSHED UP AGAINST A WALL IT BECOMES FRONT CONDENSER AIR INTAKE AND DISCHARGE. CASES CAN BE PLACED IN LINE UPS WITH OUT ALTERNATE VENTILATION SETUPS



E3933 REV

MODEL	DIMENSIONS				TIERS	SHIPPING WEIGHT		SELF CONTAINED Permanently Connected		OPTIONAL NEMA PLUG	REMOTE		BTU @ 20°F
	L	D	H	UNITS		LBS	KILO	VOLTAGE	AMPS	CONFIG (SC)	VOLTAGE	AMPS	
RSSD360SC	36	34.25	60.25	in	2	550	249	208-240/60/1	MAX FUSE 20	6-20p	208-240/60/1	MAX FUSE 15	5400
	914	895	1530	mm									
RSSD460SC	47.25	34.25	60.25	in	2	650	295	208-240/60/1	MAX FUSE 20	6-20p	208-240/60/1	MAX FUSE 15	7500
	1200	895	1530	mm									
RSSD560SC	59.25	34.25	60.25	in	2	800	363	208-240/60/1	MAX FUSE 30	6-20p	208-240/60/1	MAX FUSE 15	9000
	1810	895	1530	mm									
RSSD660SC	71.25	34.25	60.25	in	2	900	408	208-240/60/1	MAX FUSE 30	6-20p	208-240/60/1	MAX FUSE 15	10500
	2318	895	1530	mm									

- Due to continuing engineering improvements, specifications are subject to change without notice.
- Case temperature will vary if the air curtain is disrupted.



**FEDERAL INDUSTRIES**  
 A Standex Company  
 215 Federal Avenue Belleville, Wisconsin 53508-9201

**Phone:** 800-356-4206  
**Fax:** 608-424-3234  
**Email:** Geninfo@Federalind.com  
**Website:** Federalind.com