

T&S BRASS AND BRONZE WORKS, INC.

2 SADDLEBACK COVE / P.O. BOX 1088 / TRAVELERS REST, SC 29690

PHONE 800-476-4103 - FAX 864- 834-3518

Sales No.

EW-7610

**RELIABILITY
BUILT IN**

Job Name:

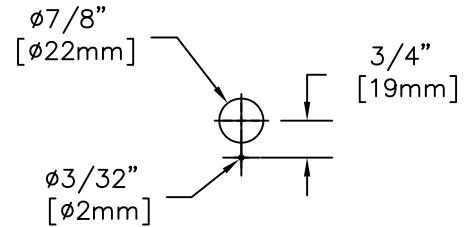
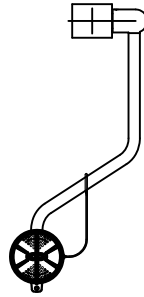
Architect/Engineer Approval:

Notes:

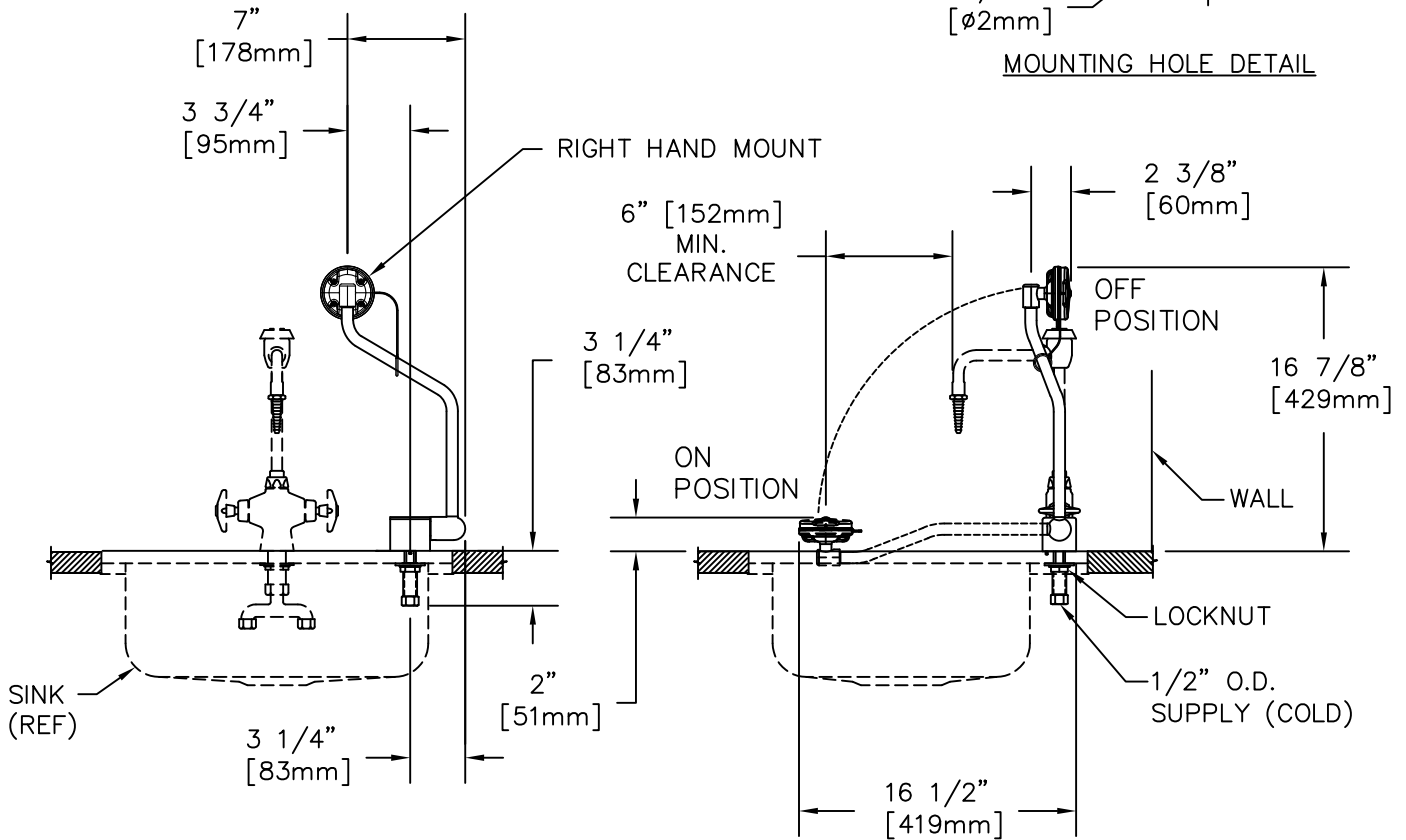
NOTES:

- ANSI STANDARD Z358.1-2009 SPECIFIES EYEWASH NOZZLE HEIGHTS TO BE 33" [838mm] TO 45" [1143mm] ABOVE THE FLOOR AND 6" [152mm] MIN. FROM NEAREST OBSTRUCTION.
- INSTALL SO THAT EYEWASH HEAD IS OVER SINK WHEN ACTIVATED.
- DRILL ONE $\phi 7/8"$ [22mm] HOLE WHERE UNIT IS TO BE INSTALLED. REFER TO MOUNTING HOLE DETAIL.
- DIMENSIONS BELOW MAY VARY $\pm 1/4"$ [6.4mm].

TOP VIEW
SHOWN IN ON
POSITION



MOUNTING HOLE DETAIL



DECK MOUNTED OPTION

SHEET 1 OF 2

Product Description:
PULL DOWN EYEWASH w/ DECK OR WALL MOUNT OPTION

Drawn: DMH	Checked DHL	Scale: 1:12
Approved JHB	Date: 10-09-13	



T&S BRASS AND BRONZE WORKS, INC.

2 SADDLEBACK COVE / P.O. BOX 1088 / TRAVELERS REST, SC 29690

PHONE 800-476-4103 - FAX 864- 834-3518

Sales No.

EW-7610

**RELIABILITY
BUILT IN**

Job Name:

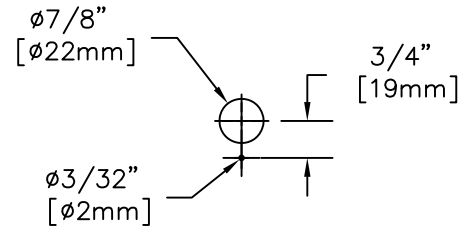
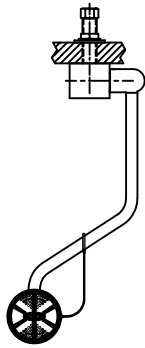
Architect/Engineer Approval:

Notes:

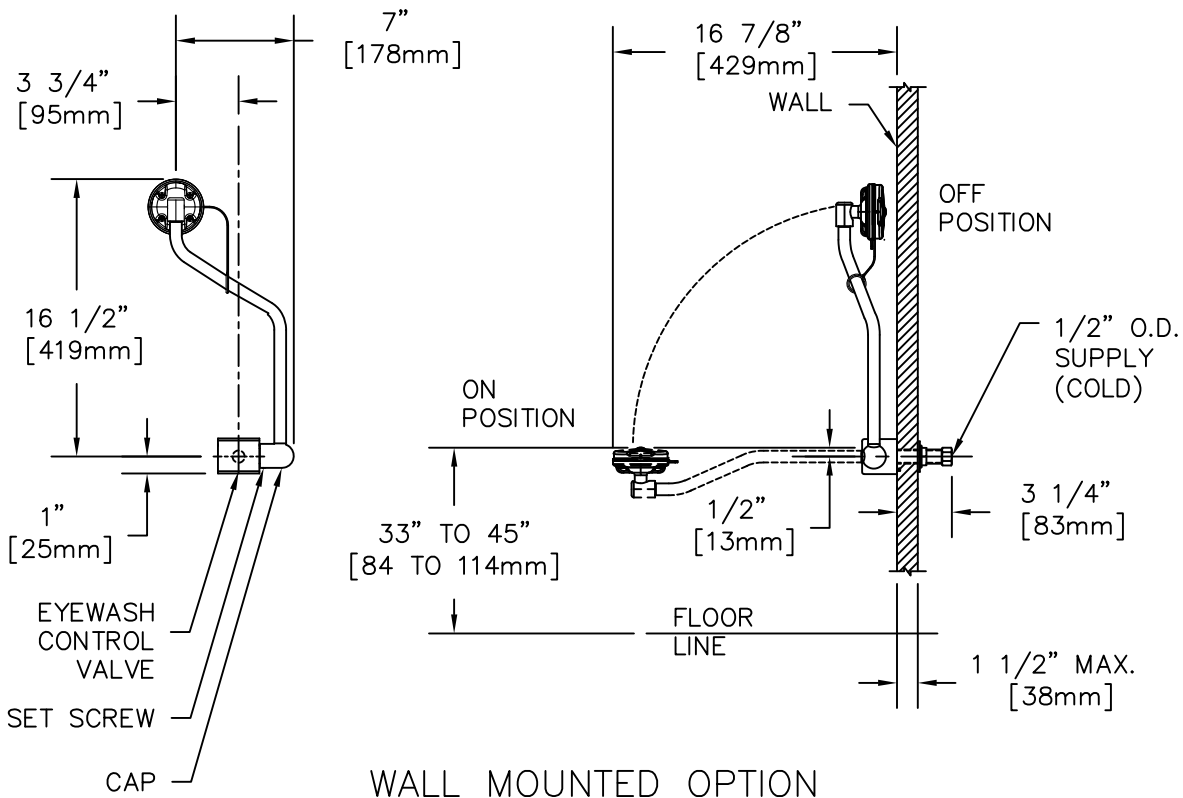
NOTES:

1. ANSI STANDARD Z358.1-2009 SPECIFIES EYEWASH NOZZLE HEIGHTS TO BE 33" [838mm] TO 45" [1143mm] ABOVE THE FLOOR AND 6" [152mm] MIN. FROM NEAREST OBSTRUCTION.
2. INSTALL SO THAT EYEWASH HEAD IS OVER SINK WHEN ACTIVATED. (SINK NOT SHOWN.)
3. DRILL ONE $\phi 7/8"$ [22mm] HOLE WHERE UNIT IS TO BE INSTALLED. REFER TO MOUNTING HOLE DETAIL.
4. DIMENSIONS BELOW MAY VARY $\pm 1/4"$ [6.4mm].

TOP VIEW
SHOWN IN ON
POSITION



MOUNTING HOLE DETAIL



SHEET 2 OF 2

Product Description:
PULL DOWN EYEWASH w/ DECK OR WALL MOUNT OPTION

Drawn:

DMH

Checked

DHL

Scale:

1:12

Approved

JHB

Date:

10/09/13