

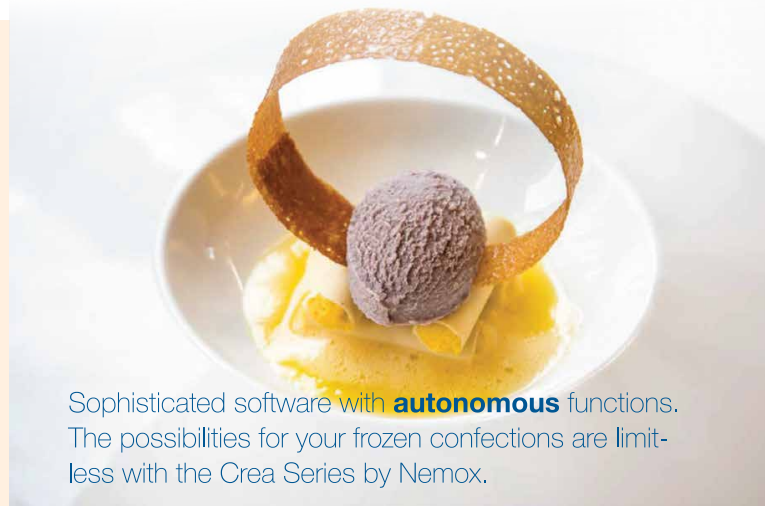


# Ice Cream Machines (Gelato & Sorbet)

## Crea 5K, Crea 5+5K

The Crea 5K and 5+5K are simple, yet sophisticated. Crea 5K is compact, perfect for countertop operation, while the 5+5K doubles your production as a freestanding\* unit on wheels with two independently functioning bowls. Make two different recipes at the same time.

\*Freestanding units come with locking wheels.



Sophisticated software with **autonomous** functions. The possibilities for your frozen confections are limitless with the Crea Series by Nemox.

## Features:

- Manual or Automatic Operation
- Large opening lid with magnetic safety device
- Easy cleaning through the drain valve
- Stainless Steel construction (body and blade with replaceable scrapers)
- Air cooling
- In addition to the standard manual setting, these units all have:

Crea 5K



Crea 5+5K



4 Production Programs

+ 4 Storage Programs: Adaptable to the needs and characteristics of the product



**GELATO CLASSICO**  
Full-bodied, intense flavor



**SEMI-SOFT ICE CREAM**  
Can be shaped into molds



**GRANITA**  
With ice crystals clearly defined



**SHOCK FREEZE**  
Any liquid: from 176-50°F (80-10°C) in 8 mins



Crea 6K



Crea 10K



Other models available:

These programs allow the machines to operate autonomously, leaving you free to focus on other tasks. The software automatically detects the density of the product and activates the storage program, maintaining optimal temperature and consistency for dispensing.

Avoid unnecessary waste: adding ingredients can be done as the volume in the machine is depleted. In about 4-5 minutes, the desired quantity and consistency will be replenished at the perfect temperature, ready for dispensing.

# Ice Cream Machines

(Gelato & Sorbet)



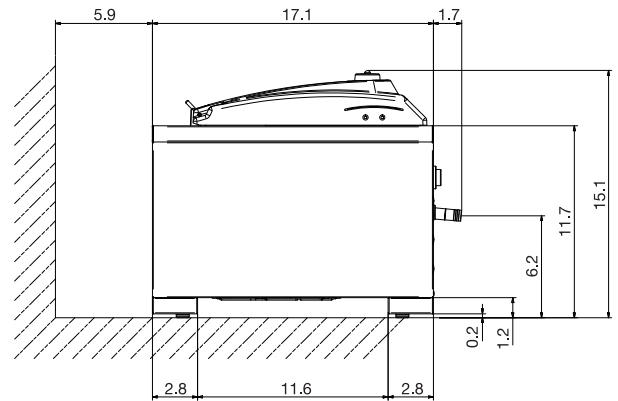
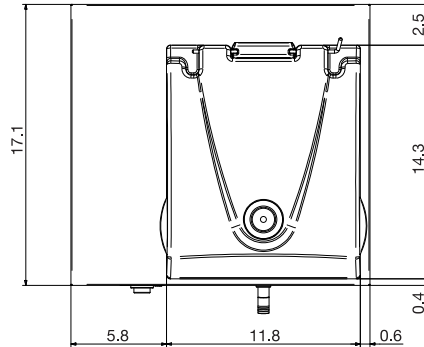
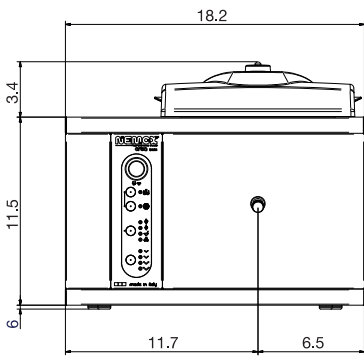
Warranty  
(1) year parts & labor

0038251250R01  
**Crea 5K**

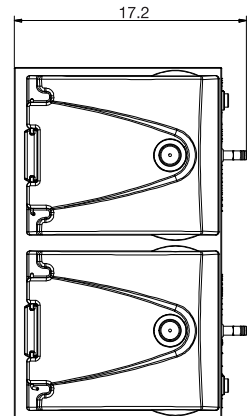
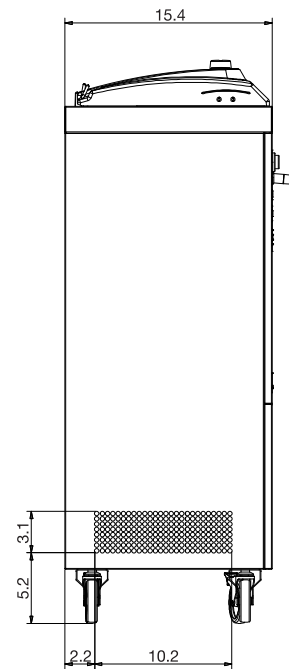
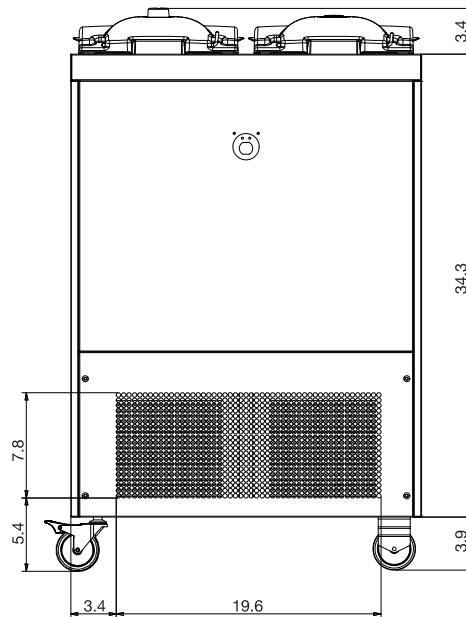
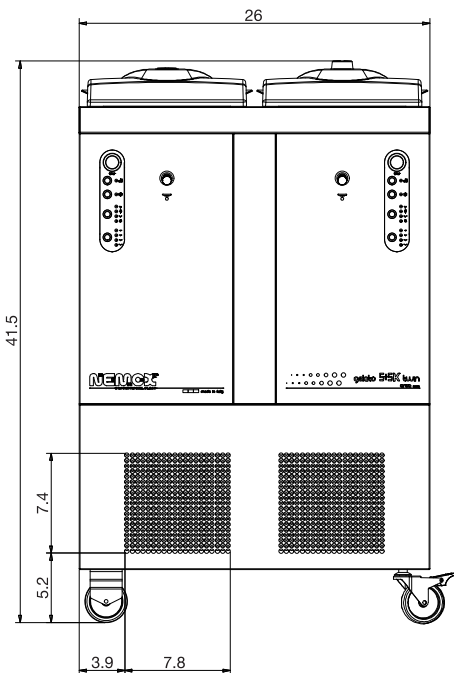
0038131250  
**Crea 5+5K**

	Single Bowl	Twin Bowl, Freestanding on Wheels
<b>Power</b>	120V, 650W, 5.4A, 5-15P	120V, 1300W, 11A, 5-15P
<b>Production Capacity</b>	1.3 Qt (1.25 L) per cycle 7.4 Qt (7 L) per hour	2.6 Qt (2.5 L) per cycle 14.8 Qt (14 L) per hour
<b>Average Cycle Duration</b>	12-15 mins	12-15 mins
<b>Bowl Capacity</b>	3.4 Qt (3.3 L)	2 x 3.4 Qt (3.3 L)
<b>Speed</b>	70 RPM	70 RPM
<b>Dimensions (L x W x H)</b>	17" x 18.2" x 15"	17.2" x 26" x 41.5"
<b>Net weight</b>	75 lbs	172 lbs
<b>Ship Dim. (L x W x H)</b>	23.5" x 22.75" x 22.5"	23.5" x 31.5" x 52.75"
<b>Ship weight</b>	88 lbs	194 lbs

**Crea 5K**



**Crea 5+5K**



Dimensions  
expressed  
in inches

Printed: 06.2020