



VITROCERAMIC INFRARED CONCEPT

VITRO SPEED GRILLS (VG)

- Ideal for out-front display cooking, banquets, catering, and room service
- Faster preheat and cook times - EASY to CLEAN
- Highly portable and convenient operation
- Rapid cooking with combined infrared radiant and contact heat
- Heavy duty vitroc ceramic cooking plates available with ribbed top/smooth bottom or smooth top/smooth bottom
- Non-porous plate surface assures easy cleaning and prevents carbon build up
- Perfectly counterbalanced top plate effectively accommodates wide range of food products
- Thermostatically controlled up to 570°F with fast preheating and even heat distribution
- Stainless steel body with front grease drawer
- Extra high power output on 208/240V models
- Robust heavy-duty construction
- Three position electronic timer
- Toasting Collar creates a heat chamber to reduce toasting, warming and cooking times

PANINI-VG

208/240 V



120 V

DIABLO-VG

208/240 V



TOASTING COLLAR



- *speeds up toasting, warming and cooking
- *removable for easy cleaning

PVG400

120 V



- *internal drip tray
- *temperature up to 570°F



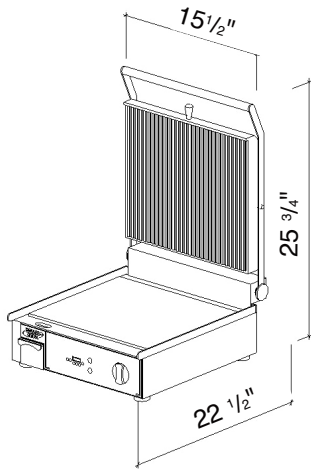
100 NIANTIC AVENUE; SUITE 104 PROVIDENCE, RI 02907
 TEL: (401)273-3300 FAX: (401)273-3328 E-mail: sales@equipex.com
 www.equipex.com



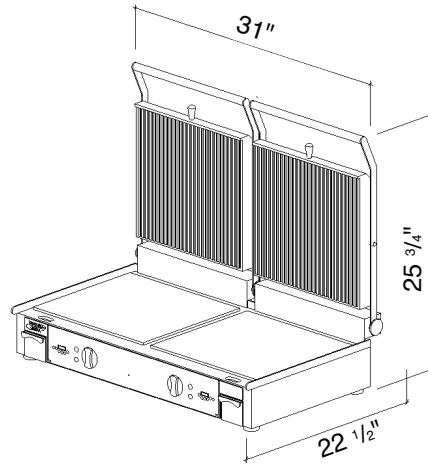


INFRARED PANINI PRESSES & GRIDDLE

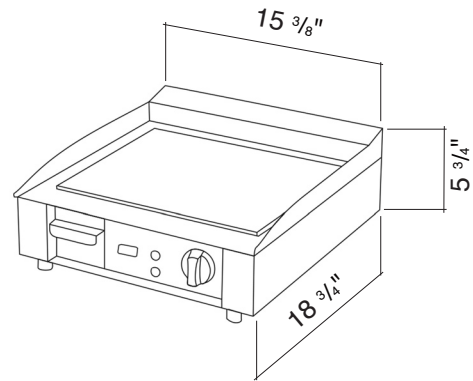
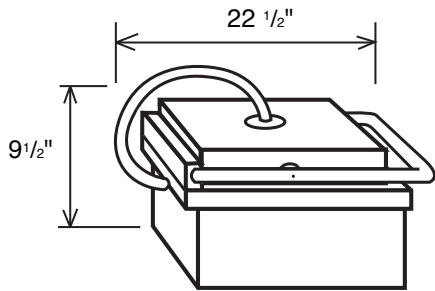
PANINI-VG



DIABLO-VG



PVG 400



SPECIFICATIONS

INSTALLATION CLEARANCE: 2" EACH SIDE

| MODEL | ELECTRICAL | DIMENSIONS | WORK SURFACE | SHIPPING WEIGHT | NEMA |
|-----------|--|----------------------------|-------------------|-----------------|----------------|
| PANINI VG | 120V, 1PH, 1.75KW, 14Amps 208/240V, 1PH, 3.0KW, 12/14Amps | 15 1/2"Wx22 1/2"Dx25 3/4"H | 13 1/4"Wx12"D | 50 lbs | 5-15P 6-20P |
| DIABLO VG | 208/240V, 1PH 6.0KW, 22/25Amps | 31"Wx22 1/2"Dx25 3/4"H | (2) 13 1/4"Wx12"D | 68 lbs | 6-50P |
| PVG 400 | 120V, 1PH 1.75KW, 14Amps | 15 3/8"Wx18 3/4"Dx5 3/4"H | 13"Wx12"D | 21 lbs | 5-15P |

WARRANTY: Limited one year parts and labor



100 NIANTIC AVENUE; SUITE 104 PROVIDENCE, RI 02907

TEL: (401)273-3300 FAX: (401)273-3328 E-mail: sales@equipex.com

www.equipex.com