



T&S BRASS AND BRONZE WORKS, INC.

2 Saddleback Cove / P.O. Box 1088
Travelers Rest, SC 29690

Model No.
EC-3102-SMT8V05

Item No.

Travelers Rest, SC: 800-476-4103 • Simi Valley, CA: 800-423-0150 • Fax: 864-834-3518 • www.tsbrass.com



ADA Compliant



This Space for Architect/Engineer Approval

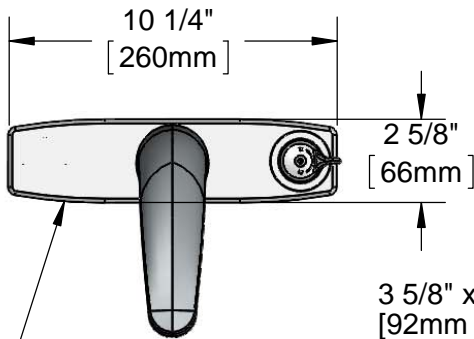
Job Name _____ Date _____

Model Specified _____ Quantity _____

Customer/Wholesaler _____

Contractor _____

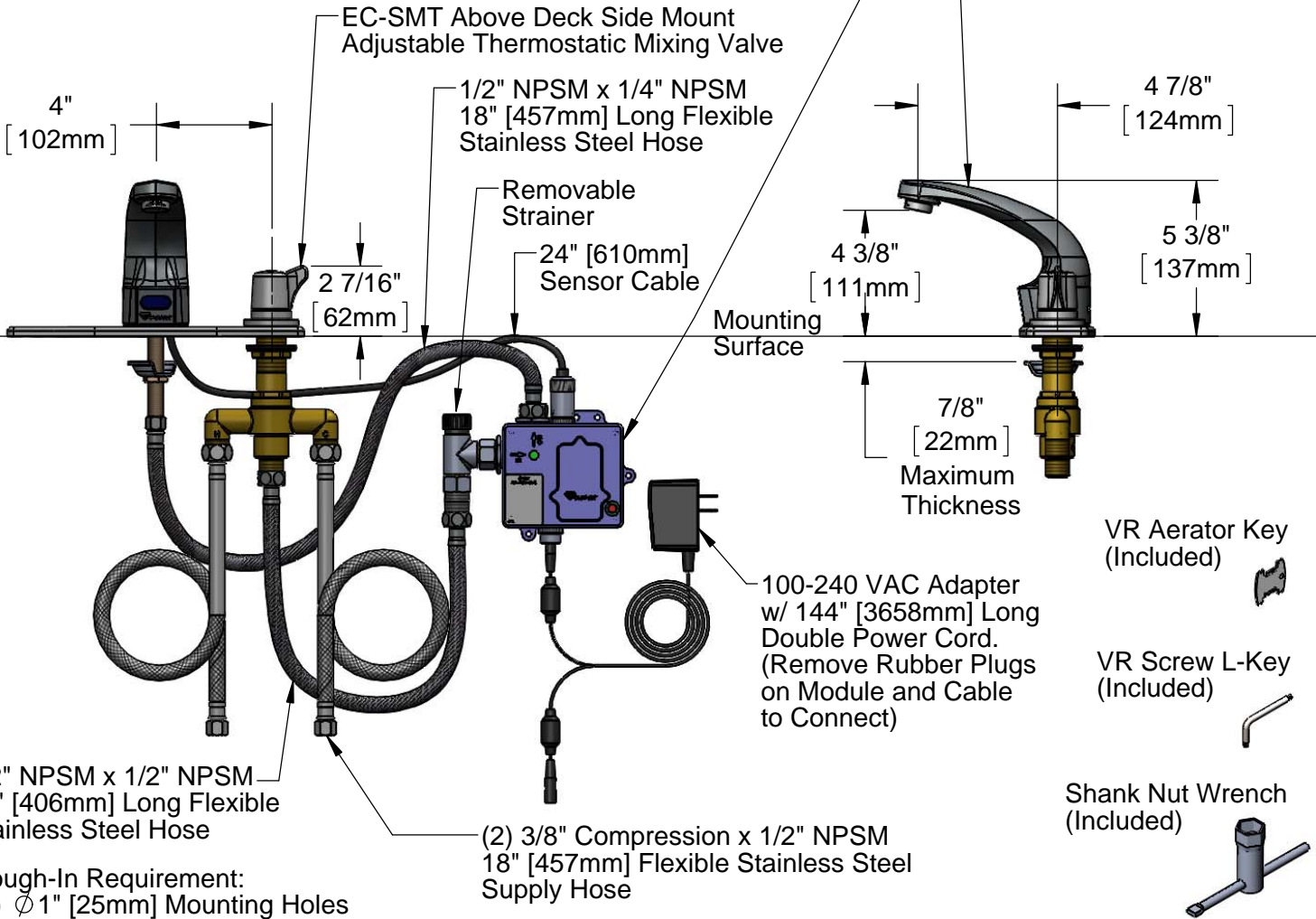
Architect/Engineer _____



Chrome Plated Die Cast Deck Plate

3 5/8" x 4 3/16" x 2" Deep
[92mm x 106mm x 51mm]
Water Resistant Control Module Box (Blue)
w/ Internal Flow Control Setting Switches,
AC or DC Operated w/ (4) AA Batteries.
Hardwire Capable Using Terminals on Back

Solid Cast Brass Spout
w/ Polish Chrome Plated
Finish and B-0199-08-N05,
0.5 GPM VR Spray Device



Product Specifications:

Chrome Plated Brass Electronic Faucet: Single Hole Deck Mount Spout w/ 8" Centers Deck Plate, Above Deck Side Mount Adjustable Thermostatic Mixing Valve w/ Integral Check Valves, 0.5 GPM VR Spray Device, AC/DC Control Module with Internal Flow Control Setting Switches, 18" Long Flexible Supply Hoses

Product Compliance:

ASME A112.18.1 / CSA B125.1
NSF 61 - Section 9
NSF 372 (Low Lead Content)
ANSI A117.1 (ADA)
UL 1951
ASSE 1070 (TMV)



T&S BRASS AND BRONZE WORKS, INC.

2 Saddleback Cove / P.O. Box 1088
Travelers Rest, SC 29690

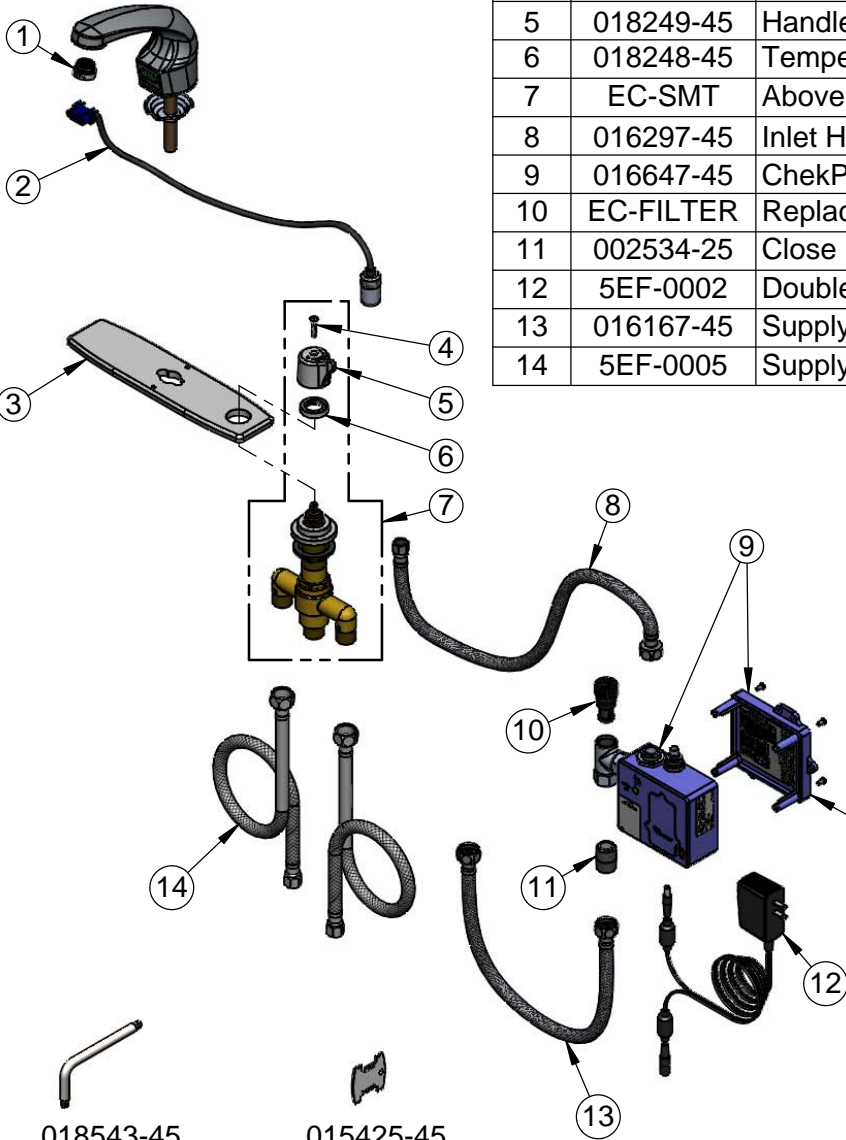
Model No.

EC-3102-SMT8V05

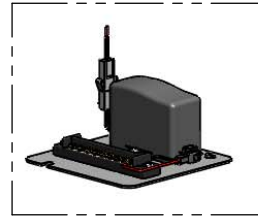
Item No.

Travelers Rest, SC: 800-476-4103 • Simi Valley, CA: 800-423-0150 • Fax: 864-834-3518 • www.tsbrass.com

ITEM NO.	SALES NO.	DESCRIPTION
1	B-0199-08-N05	0.5 GPM VR Spray Device, 13/16-27 Male
2	017195-45	Angled Sensor w/ Cable
3	018251-45	ChekPoint 8" C-C SMT Deck Plate
4	018541-45	M4 x 20mm, SS, Torx VR FH Screw
5	018249-45	Handle
6	018248-45	Temperature Limit Stop
7	EC-SMT	Above Deck Thermostatic Mixing Valve w/ Handle
8	016297-45	Inlet Hose, Faucet, 1/2" NPSM-F x 1/4" NPSM-F
9	016647-45	ChekPoint Module (Blue)
10	EC-FILTER	Replacement Filter
11	002534-25	Close Nipple, 1/2" NPT
12	5EF-0002	Double Gang, Plug-in AC Transformer
13	016167-45	Supply Hose, 1/2" NPSM Female x 1/2" NPSM Female
14	5EF-0005	Supply Hose, 9/16-24 Female x 1/2" NPSM



A Maximum of (8) ChekPoint Faucets can be Hardwire Connected and Powered by EC-HARDWIRE ChekPoint Hardwire AC Transformer. (Sold Separately)



Label for Flow Control Switch Settings is Located on Inside of Back Cover.

Flow Control Switches are Located Inside Module Housing in Black Box Next to Battery Compartment.

- *Switches are Set to DEFAULT Position:
- Auto Time Out = 15 Seconds
 - Shut Off Delay = 1 Second
 - Auto Flush = OFF

Remove (4) Screws and Back Cover to Access Switches.

***Available Water Flow Control Selections:**

- Auto Time Out: 15 sec, 30 sec, 45 sec, 60 sec, 3 min, 20 min
- Shut Off Delay: 1 sec, 10 sec, 15 sec, 30 sec
- Auto Flush (30 Seconds After Every 12 Inactive Hours): ON or OFF

Product Specifications:

Chrome Plated Brass Electronic Faucet: Single Hole Deck Mount Spout w/ 8" Centers Deck Plate, Above Deck Side Mount Adjustable Thermostatic Mixing Valve w/ Integral Check Valves, 0.5 GPM VR Spray Device, AC/DC Control Module with Internal Flow Control Setting Switches, 18" Long Flexible Supply Hoses

Product Compliance:

ASME A112.18.1 / CSA B125.1
NSF 61 - Section 9
NSF 372 (Low Lead Content)
ANSI A117.1 (ADA)
UL 1951
ASSE 1070 (TMV)