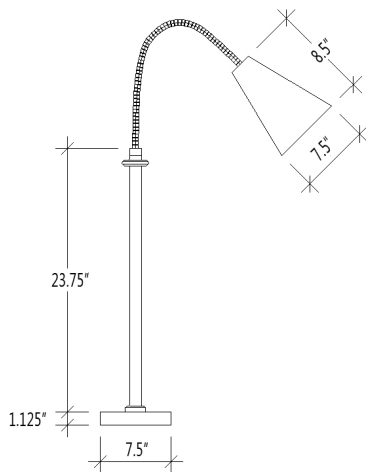




*Expert Foodservice
Buffetware, Hollowware,
Furniture and Beyond*

888.422.4142

**HEAT LAMP : Model 9631
Model 9632**



9631



9632

When both style and function are demanded, these lamps provide precise heating in an attractive contemporary design. Perfect for action stations as well as with buffet operations.

Standard Features:

- Self standing with heavy round base to prevent tipping over and slides beneath the carving board
- Flex-neck lamp provides self control of the heat and light where needed
- On/Off switch conveniently located on post
- Standard Food Safe bulbs included
- 72" long cord

Options:

- Choice of single or double lamps
- Stainless steel sphere lamp shade is available in highly polished or satin finish
- Optional powder coated finishes are available in a variety of colors

Accessories:

Portable base with gravy lane set into a stainless steel frame :

- # 9655 solid surface / stone carving board
- # 9655EL solid surface / stone carving board with electric heating element
- # 9653 wooden butcher block board

Model 9631 120/60/1 250 Watts (2.1 Amp) NEMA 5-15 Shipping Wt 15 lbs.

Model 9632 120/60/1 500 Watts (4.2 Amp) NEMA 5-15 Shipping Wt 18 lbs.