



Profit from the Eagle Advantage®

Specification Sheet

Short Form Specifications

Eagle 2200 Series Modular Angle Fillers, model _____. Top, front, and backsplash to be heavy gauge type 304 stainless steel, with galvanized sides. (Front /Rear) filler available in 30°, 45°, 60°, and 90° angles. All units have predrilled mounting holes.

Eagle 2200 Series Modular Corner Drainboards, model _____. Top, front, and backsplash to be heavy gauge type 304 stainless steel with galvanized sides, and embossed work surface. #MRC-22 includes one 1½" O.D. galvanized tubular leg with adjustable bullet foot. Both units have predrilled mounting holes.



front angle filler



rear angle filler



front corner drainboard



rear corner drainboard

Item No.:	_____
Project No.:	_____
S.I.S. No.:	_____

2200 Series Modular Angle Fillers and Corner Drainboards

MODELS:

- | | | |
|----------------------------------|----------------------------------|---------------------------------|
| <input type="checkbox"/> MF30-22 | <input type="checkbox"/> MF60-22 | <input type="checkbox"/> MRC-22 |
| <input type="checkbox"/> MR30-22 | <input type="checkbox"/> MR60-22 | <input type="checkbox"/> MFC-22 |
| <input type="checkbox"/> MF45-22 | <input type="checkbox"/> MF90-22 | |
| <input type="checkbox"/> MR45-22 | <input type="checkbox"/> MR90-22 | |

Modular Angle Fillers

- Stainless steel front and top.
- Galvanized steel sides.
- Joins 2200 Series units by the corners.
- Front and rear fillers available in angles of 30°, 45°, 60° and 90°.
- All units have predrilled mounting holes.

Modular Corner Drainboards

- All-welded construction.
- Galvanized panels attach to other equipment, stainless steel outer panels remain visible.
- Joins 2200 Series units by the corners.
- MRC-22 provided with one 1½" (41mm)-diameter leg.
- All units have predrilled mounting holes.

EAGLE GROUP
 100 Industrial Boulevard, Clayton, DE 19938-8903 USA
 Phone: 302-653-3000 • Fax: 302-653-2065
 www.eaglegrp.com

Foodservice Division: Phone 800-441-8440
MHC/Retail Display Divisions: Phone 800-637-5100

For custom configuration or fabrication needs, contact our **SpecFAB® Division**.
 Phone: 302-653-3000 • Fax: 302-653-2065 • e-mail: quotes@eaglegrp.com

AUTOQUOTES



EG40.58 Rev. 04/13

Spec sheets available for viewing, printing or downloading from our online literature library at www.eaglegrp.com

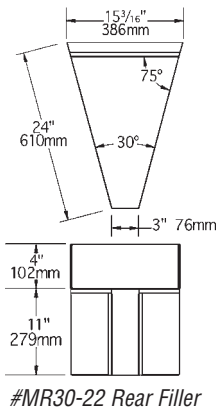
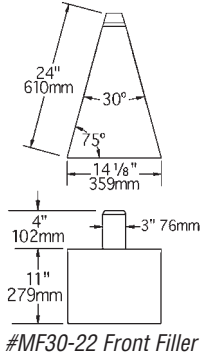
Eagle Foodservice Equipment, Eagle MHC, SpecFAB®, and Retail Display are divisions of Eagle Group. ©2013 by the Eagle Group



Item No.: _____
 Project No.: _____
 S.I.S. No.: _____

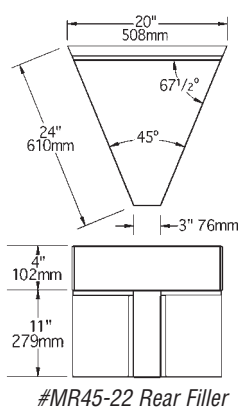
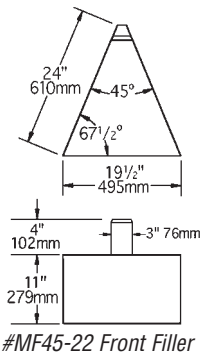
2200 Series Modular Angle Fillers

30° Angle Fillers



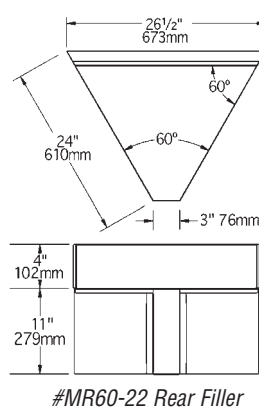
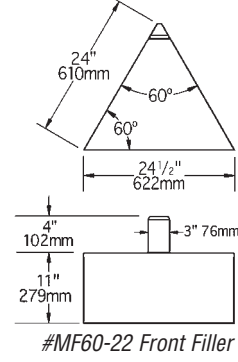
FRONT model #	REAR model #	weight lbs.	weight kg
MF30-22	MR30-22	16	7.3

45° Angle Fillers



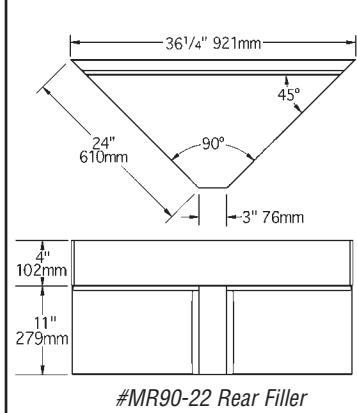
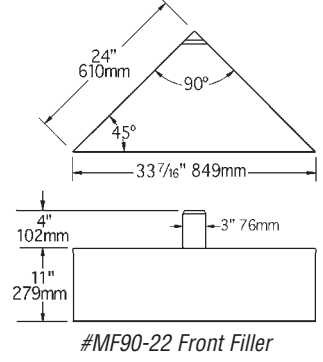
FRONT model #	REAR model #	weight lbs.	weight kg
MF45-22	MR45-22	17	7.7

60° Angle Fillers



FRONT model #	REAR model #	weight lbs.	weight kg
MF60-22	MR60-22	20	9.0

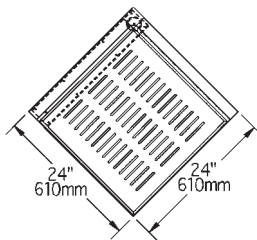
90° Angle Fillers



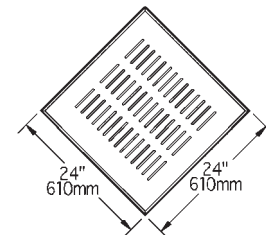
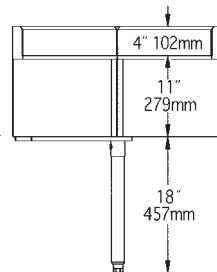
FRONT model #	REAR model #	weight lbs.	weight kg
MF90-22	MR90-22	22	10.0

Corner Drainboards – 2200 Series

FRONT model #	REAR model #	weight lbs.	weight kg
MFC-22	MRC-22	42	19.1



#MRC-22 Rear Corner Drainboard



#MFC-22 Front Corner Drainboard

EAGLE GROUP
 100 Industrial Boulevard, Clayton, DE 19938-8903 USA
 Phone: 302-653-3000 • Fax: 302-653-2065
 www.eaglegrp.com

Foodservice Division: Phone 800-441-8440
 MHC/Retail Display Divisions: Phone 800-637-5100

Printed in U.S.A.
 ©2013 by Eagle Group
 Rev. 04/13

Spec sheets available for viewing, printing or downloading from our online literature library at www.eaglegrp.com

Although every attempt has been made to ensure the accuracy of the information provided, we cannot be held responsible for typographical or printing errors. Information and specifications are subject to change without notice. Please confirm at time of order.