



Profit from the Eagle Advantage®

Specification Sheet

Short Form Specifications

Eagle Spec-Bar® Recessed Workboard, model _____. Heavy gauge type 304 stainless steel body, legs, leg channels and cross rails. Stainless steel removable perforated insert and shelf. Stainless steel adjustable bullet feet.



19" (483mm)
recessed workboard with
single speed rail profile



19" (483mm)
recessed workboard with
double speed rail profile



24" (610mm)
recessed workboard with
no speed rail profile



24" (610mm)
recessed workboard with
single speed rail profile

EAGLE GROUP

100 Industrial Boulevard, Clayton, DE 19938-8903 USA

Phone: 302-653-3000 • Fax: 302-653-2065

www.eaglegrp.com

Foodservice Division: Phone 800-441-8440

MHC/Retail Display Divisions: Phone 800-637-5100

For custom configuration or fabrication needs, contact our SpecFAB® Division.

Phone: 302-653-3000 • Fax: 302-653-3091 • e-mail: specfab@eaglegrp.com

Item No.:	_____
Project No.:	_____
S.I.S. No.:	_____

Spec-Bar® Recessed Workboards

MODELS:

- | | |
|-------------------------------------|-------------------------------------|
| <input type="checkbox"/> RDBSR12-19 | <input type="checkbox"/> RDB12-24 |
| <input type="checkbox"/> RDBSR18-19 | <input type="checkbox"/> RDB18-24 |
| <input type="checkbox"/> RDBSR24-19 | <input type="checkbox"/> RDB24-24 |
| <input type="checkbox"/> RDBSR30-19 | <input type="checkbox"/> RDB30-24 |
| <input type="checkbox"/> RDBSR36-19 | <input type="checkbox"/> RDB36-24 |
| <input type="checkbox"/> RDBDR12-19 | <input type="checkbox"/> RDBSR12-24 |
| <input type="checkbox"/> RDBDR18-19 | <input type="checkbox"/> RDBSR18-24 |
| <input type="checkbox"/> RDBDR24-19 | <input type="checkbox"/> RDBSR24-24 |
| <input type="checkbox"/> RDBDR30-19 | <input type="checkbox"/> RDBSR30-24 |
| <input type="checkbox"/> RDBDR36-19 | <input type="checkbox"/> RDBSR36-24 |

Design and Construction Features

- Backsplash, sides, front panel, drain pan and perforated insert are 20 gauge type 304 stainless steel.
- Leg channels, legs and crossbracing are 16 gauge type 304 stainless steel.
- Legs are 1½" (41mm) diameter, with stainless steel adjustable bullet feet.
- Designed to align with single or double speed rails installed on adjoining equipment.
- Removable insert and shelf made of perforated stainless steel.
- 1½" (38mm) I.P.S. threaded drain with nut and washer.

Certifications / Approvals



AUTOQUOTES



EG40.28 Rev. 04/11

Spec sheets available for viewing, printing or downloading from our online literature library at www.eaglegrp.com

Eagle Foodservice Equipment, Eagle MHC, SpecFAB®, and Retail Display are divisions of Eagle Group. ©2011 by the Eagle Group

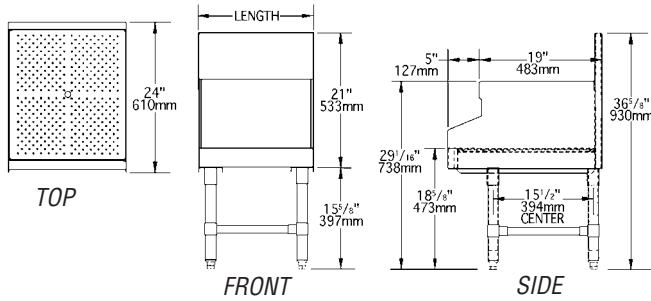


Profit from the Eagle Advantage®

Item No.: _____
 Project No.: _____
 S.I.S. No.: _____

Spec-Bar® Recessed Workboards

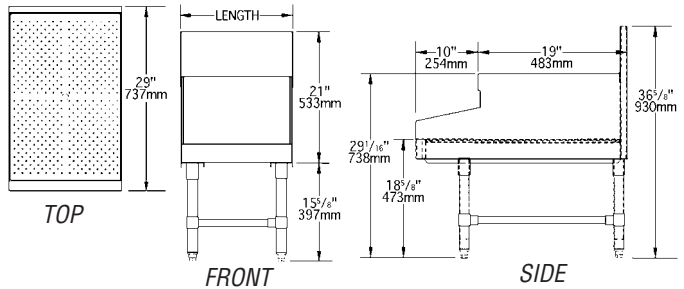
19" (483mm) Recessed Workboards with Single Speed Rail Profile – 24" (610mm) overall width



Aligns with Spec-Bar® series 19" (483mm) equipment with 5" (127mm) single speed rail.

model #	width		length		weight	
	in.	mm	in.	mm	lbs.	kg
RDBSR12-19	24"	610	12"	305	25	11.3
RDBSR18-19	24"	610	18"	457	30	13.6
RDBSR24-19	24"	610	24"	610	35	15.9
RDBSR30-19	24"	610	30"	762	40	18.1
RDBSR36-19	24"	610	36"	914	45	20.4

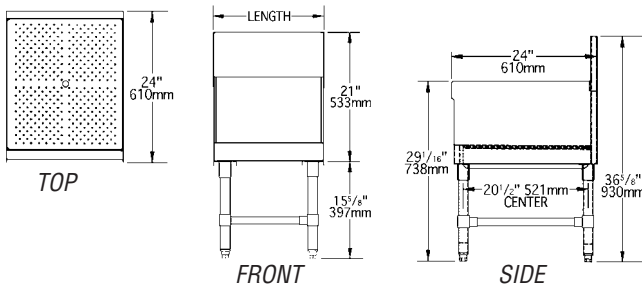
19" (483mm) Recessed Workboards with Double Speed Rail Profile – 29" (737mm) overall width



Aligns with Spec-Bar® series 19" (483mm) equipment with 10" (254mm) double speed rail.

model #	width		length		weight	
	in.	mm	in.	mm	lbs.	kg
RDBDR12-19	29"	737	12"	305	37	16.8
RDBDR18-19	29"	737	18"	457	42	19.1
RDBDR24-19	29"	737	24"	610	49	22.2
RDBDR30-19	29"	737	30"	762	56	25.4
RDBDR36-19	29"	737	36"	914	61	27.7

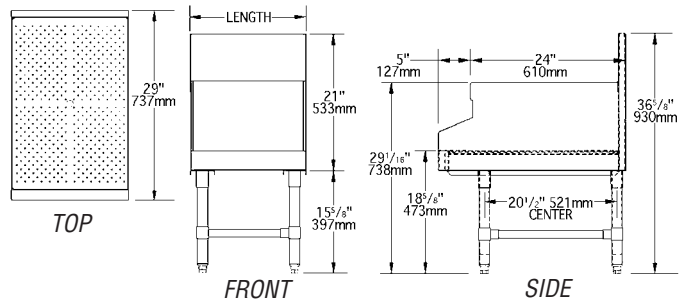
24" (610mm) Recessed Workboards with No Speed Rail Profile – 24" (610mm) overall width



Aligns with Spec-Bar® series 24" (610mm) equipment with no speed rail.

model #	width		length		weight	
	in.	mm	in.	mm	lbs.	kg
RDB12-24	24"	610	12"	305	25	11.3
RDB18-24	24"	610	18"	457	30	13.6
RDB24-24	24"	610	24"	610	35	15.9
RDB30-24	24"	610	30"	762	40	18.1
RDB36-24	24"	610	36"	914	45	20.4

24" (610mm) Recessed Workboards with Single Speed Rail Profile – 29" (737mm) overall width



Aligns with Spec-Bar® series 24" (610mm) equipment with 5" (127mm) single speed rail.

model #	width		length		weight	
	in.	mm	in.	mm	lbs.	kg
RDBSR12-24	29"	737	12"	305	37	16.8
RDBSR18-24	29"	737	18"	457	42	19.1
RDBSR24-24	29"	737	24"	610	49	22.2
RDBSR30-24	29"	737	30"	762	56	25.4
RDBSR36-24	29"	737	36"	914	61	27.7

EAGLE GROUP
 100 Industrial Boulevard, Clayton, DE 19938-8903 USA
 Phone: 302-653-3000 • Fax: 302-653-2065
 www.eaglegrp.com

Foodservice Division: Phone 800-441-8440
 MHC/Retail Display Divisions: Phone 800-637-5100

Printed in U.S.A.
 ©2011 by Eagle Group

Rev. 04/11

Spec sheets available for viewing, printing or downloading from our online literature library at www.eaglegrp.com

Although every attempt has been made to ensure the accuracy of the information provided, we cannot be held responsible for typographical or printing errors. Information and specifications are subject to change without notice. Please confirm at time of order.