



Profit from the Eagle Advantage®

Specification Sheet

Short Form Specifications

Eagle Spec-Bar® Pass-Thru Ice Chest, model B24PTIC. Heavy gauge type 304 stainless steel body, legs, leg channels and crossbracing. Ice chest to be 10½" deep with foamed-in-place insulation, non-metallic breaker strip to prevent heat transfer, and stainless steel sliding cover. Stainless steel adjustable bullet feet.



B24PTIC pass thru ice chest

Options / Accessories

- 2-circuit post-mix cold plate
- 8-circuit post-mix cold plate
- 10-circuit post-mix cold plate
- Speed rails

EAGLE GROUP
100 Industrial Boulevard, Clayton, DE 19938-8903 USA
Phone: 302-653-3000 • Fax: 302-653-2065
www.eaglegrp.com

Foodservice Division: Phone 800-441-8440
MHC/Retail Display Divisions: Phone 800-637-5100

For custom configuration or fabrication needs, contact our **SpecFAB® Division**.
Phone: 302-653-3000 • Fax: 302-653-2065 • e-mail: quotes@eaglegrp.com

Item No.:	_____
Project No.:	_____
S.I.S. No.:	_____

Spec-Bar® Pass Thru Ice Chest

MODEL:
 B24PTIC

Design and Construction Features

- Body, legs and crossbracing constructed of type 304 stainless steel for strength and corrosion resistance.
- Front panel and ice compartment are 20 gauge stainless steel; top panel is 18 gauge stainless steel; and leg channels, legs and crossbracing are 16 gauge stainless steel.
- Ice bin insulated with foamed-in-place insulation for maximum efficiency.
- Ice bin interior depth is 10½" (267mm).
- Non-metallic breaker strip prevents heat transfer to ice bin.
- All models have removable type 304 stainless steel sliding cover for cleaning ease.
- Standard model drain includes a 1½" (38mm) tailpiece and post-mix cold plate model drains have ½" (13mm) NPT.
- 2-circuit, 8-circuit, and 10-circuit post-mix cold plates available. Post-mix cold plates have ¼" (6mm) O.D. stainless steel tubing with swaged end connection.
- 1½" (41mm) diameter type 304 stainless steel legs with stainless steel adjustable bullet feet.
- Tubing access hole dimensions are 7/8" x 2½" (22 x 73mm) and capacity per hole is 12 lines of ¼" I.D. x 3/8" O.D. (6 x 10mm) nylon braided tubing.



AUTOQUOTES



EG40.18 Rev. 10/13

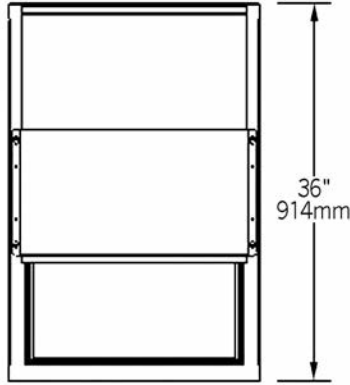
Spec sheets available for viewing, printing or downloading from our online literature library at www.eaglegrp.com

Eagle Foodservice Equipment, Eagle MHC, SpecFAB®, and Retail Display are divisions of Eagle Group. ©2013 by the Eagle Group

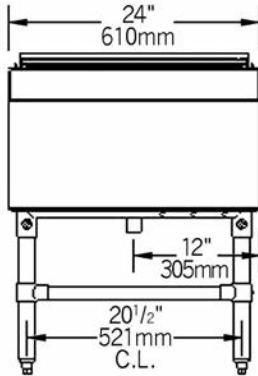


Item No.: _____
 Project No.: _____
 S.I.S. No.: _____

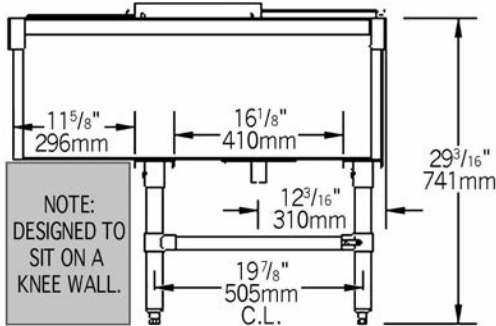
Spec-Bar® Pass Thru Ice Chest



TOP VIEW



FRONT VIEW



SIDE VIEW

NOTE:
 DESIGNED TO
 SIT ON A
 KNEE WALL.

model #	width		length		weight		capacity	
	in.	mm	in.	mm	lbs.	kg	lbs.	kg
B24PTIC	36"	914	24"	610	100	45.4	175	79.4

EAGLE GROUP
 100 Industrial Boulevard, Clayton, DE 19938-8903 USA
 Phone: 302-653-3000 • Fax: 302-653-2065
 www.eaglegrp.com

Foodservice Division: Phone 800-441-8440
 MHC/Retail Display Divisions: Phone 800-637-5100

Printed in U.S.A.
 ©2013 by Eagle Group
 Rev. 10/13

Spec sheets available for viewing, printing or downloading from our online literature library at www.eaglegrp.com

Although every attempt has been made to ensure the accuracy of the information provided, we cannot be held responsible for typographical or printing errors. Information and specifications are subject to change without notice. Please confirm at time of order.