

DESIGNER LINE ROLL-IN FREEZER (0°F)

Model: DL1FI



1-Section Roll-In Freezer with 66¼” Cart Capacity

- DL1FI** - Stainless steel front, aluminum end panels and interior
- DL1FI-SA** - Stainless steel exterior, aluminum interior
- DL1FI-SS** - Stainless steel exterior and interior



Options and Accessories

(upcharge and lead times may apply)

| | |
|-------------------------------------|--|
| Stainless steel case back | Special electrical req. (consult factory) |
| Epoxy-coated steel shelves | Increased refrigeration systems |
| Chrome or stainless steel shelves | Correctional Facility Options |
| Rehinging of door (consult factory) | <ul style="list-style-type: none"> • One way security screws |
| Expansion valve system | <ul style="list-style-type: none"> • Locking hasp (lock not included) |
| Custom laminates | <ul style="list-style-type: none"> • Stainless steel mesh cover |
| Half doors | <ul style="list-style-type: none"> • Coverless hinges |

Consult factory for other model configurations, options and accessories.

Project Name:

Model Specified:

Location:

Item No:

Quantity:

AIA #:

SIS #:

Standard Model Features

REFRIGERATION SYSTEM

- Self contained, performance-rated “plug” refrigeration system
- Environmentally-safe R-404A refrigerant
- Refrigeration system is accessible on top of cabinet, separate from the “food zone”
- Top and side air distribution ducts
- Automatic, hot gas condensate evaporator

CABINET ARCHITECTURE

- 3” non-CFC polyurethane foam insulation
- Smooth, polished chrome workflow door handle
- Cam action, lift off hinges
- Magnetic snap-in door gasket
- Cylinder lock in door
- Self-closing door
- 66 1/2” high door opening (66 1/4”H rack capacity*)

MODEL FEATURES

- Electronic controller w/digital display & hi-low alarm
- Removable stainless steel rack guides
- Removable stainless steel ramp
- Reinforced stainless steel floor
- Automatic electric defrost

* Rack not supplied

IMPORTANT NOTE: Cabinet upper side panels and refrigeration “plug” system can be removed and reinstalled at installation site where space limitations are confining.



Toll-Free: 800-523-7138
Phone: 215-244-1400
Fax: 215-244-9579

539 Dunksferry Road
Bensalem, PA 19020
www.continentalrefrigerator.com

APPROVAL:

Model Specifications

DIMENSIONAL DATA

| | |
|-------------------------------------|------------------|
| Net Capacity (cu. ft.) | 32 (906 cu l) |
| Width, Overall (in.) | 35 1/4 (895 mm) |
| Depth, Overall (in.) (incl. handle) | 35 3/8 (899 mm) |
| Depth (in.) (less door) | 32 (813 mm) |
| Depth (in.) (door open 90°) | 65 (1651 mm) |
| Clear Door Width (in.) | 27 3/8 (695 mm) |
| Clear Full Door Height (in.) | 66 1/2 (1676 mm) |
| Height, Overall (in.) | 86 (2184 mm) |
| No. of Doors | 1 |
| Rack Capacity** | 1 |

REFRIGERANT DATA

| | |
|-----------------------------|------|
| Condensing Unit Size (H.P.) | 3/4 |
| Capacity (BTU/Hr)* | 3530 |

* Rating @ -15°F evaporator, 90°F ambient

ELECTRICAL DATA

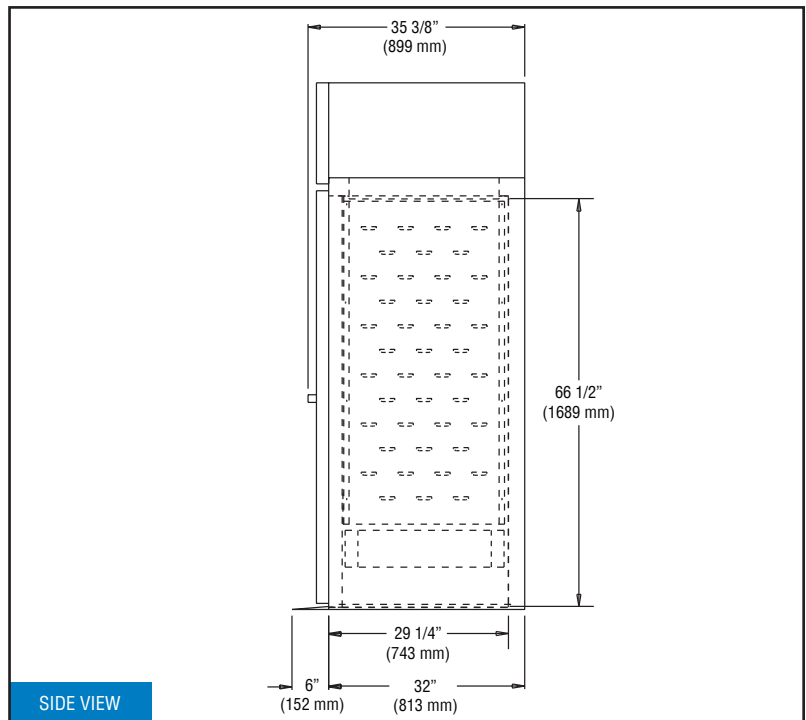
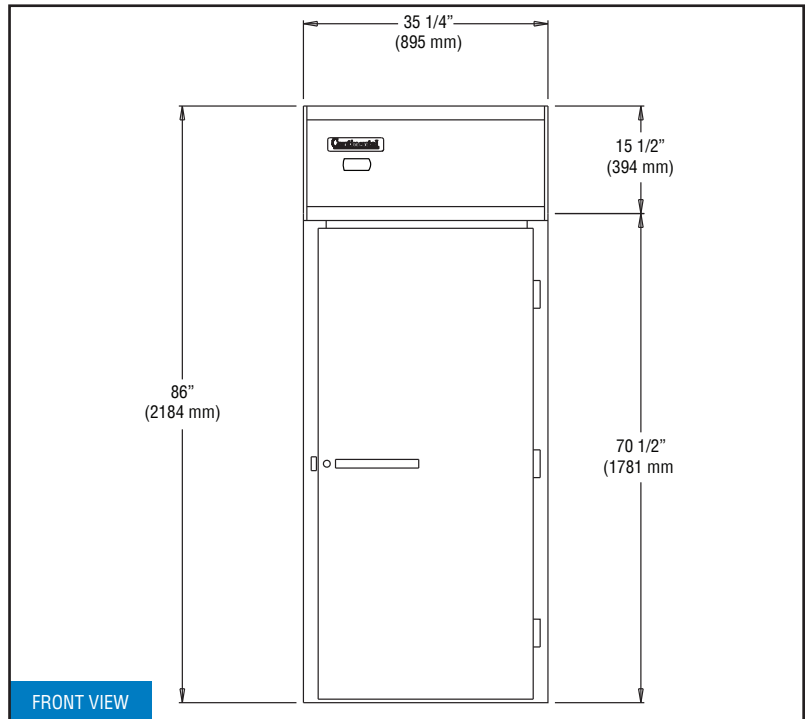
| | |
|---------------------------|--------------------------------|
| Voltage (int'l) | 115/208-230/60/1 (220/50/1) |
| Feed Wires (incl. ground) | 4 |
| Total Amps (int'l) | 10.9 (10.2) |
| Defrost Amps (int'l) | 9.6 (4.8) |
| 10 ft. Cord/Plug (int'l) | No (No) |

SHIPPING DATA

| | |
|----------------------------|----------------|
| Height - Crated (in.) | 94 (2288 mm) |
| Width - Crated (in.) | 43 (1092 mm) |
| Depth - Crated (in.) | 42 (1067 mm) |
| Volume - Crated (cu. ft.) | 94 (2661 cu l) |
| Weight Std - Crated (lbs.) | 475 (215 kg) |
| Weight SS - Crated (lbs.) | 600 (272 kg) |

** Maximum rack size including wheels - 27"W x 29"D x 66 1/4"H
Figures in parentheses reflect metric equivalents rounded to the nearest whole unit.

Model Plan Views



IMPORTANT NOTE: If the cabinet is located directly against a wall and/or under a low ceiling, a minimum clearance of 12" is required on top and 3" on sides and rear.

Continental
Refrigerator

Toll-Free: 800-523-7138
Phone: 215-244-1400
Fax: 215-244-9579

539 Dunkserry Road
Bensalem, PA 19020
www.continentalrefrigerator.com

Due to our continued efforts in developing innovative products, specifications subject to change without notice.



MADE IN THE U.S.A.

© Copyright 2020. Continental Refrigerator.
A Division of National Refrigeration & Air Conditioning Products, Inc.