

TOTALLY QUIET (TQ) COMPACT TRAY DELIVERY CARTS DOUBLE DOOR WITH ONE TRAY PER SLIDE

Compliant with
NSF/ANSI Standard 2



DXPTQC1T2D16

Item Numbers

DXPTQC1T2D10
DXPTQC1T2D12
DXPTQC1T2D14
DXPTQC1T2D16
DXPTQC1T2D18
DXPTQC1T2D20

Application

TQ Compact Carts offer you a cart that has a notable sound dampening construction where quiet is a needed commodity.

This equipment is intended for "Industrial Use Only".

Construction

TQ Compact Cart is a double door tray delivery cart with an all stainless steel modular construction. The cart has (standard) 4-3/4" tray height spacing with 1 tray per shelf for a total of 10, 12, 14, 16, 18 and or 20 capacity. Comes with heat release vented side panels and standard corner bumpers. The cart has gravity locking doors with noise suppression door bumpers and gravity locking (open) door with door stop for noise reduction. The cart comes with an interchangeable rack system with adjustable sizing to accommodate for

different tray sizes. The racks also have noise reduction gravity locking brackets with a press lever release mechanism. The side panels of the cart have a noise reduction channel to prevent vibration while the cart is in motion. The cart comes with 6" Performa casters with noise suppression bearing covers, high temperature wash resistant noise dampening bearing grease, and caster isolation pads.

Standard Features

- 6" Performa casters with noise suppression bearing covers
- Corner Bumpers
- Vertical Push Handles
- Gravity Locking Doors with Door Stop
- Full Length Door Handles
- 4-3/4" tray height spacing

Compatible Tray Sizes

- 12" x 19"
- 12" x 20"
- 14" x 18"
- 15" x 20"
- DXRST152003

Warranty

One year parts and labor.

*We do not accept returns on any Dinex equipment or Dinex custom products.
Please contact your local Dinex rep to ensure order accuracy prior to ordering.*

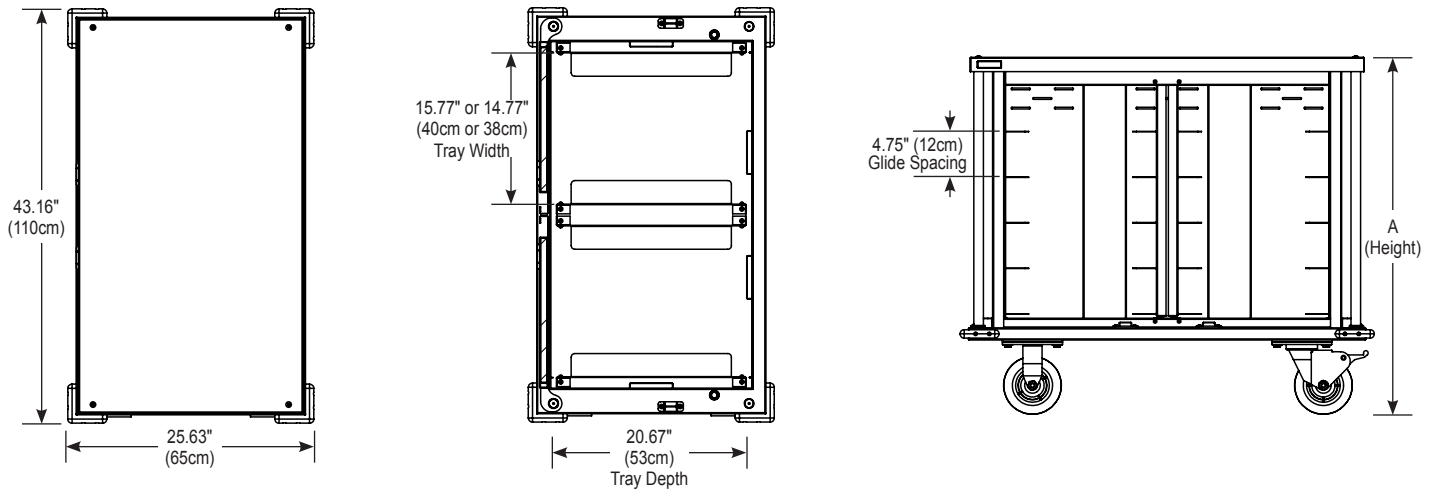
DINEX®

4711 E. Hefner Road
Oklahoma City, OK 73131
800.654.8210 | 405.475.5600
www.dinex.com

Rev 09/20

TOTALLY QUIET (TQ) COMPACT TRAY DELIVERY CARTS

DOUBLE DOOR WITH ONE TRAY PER SLIDE



Items and Dimensions

ITEM NUMBER	WIDTH*	DEPTH*	HEIGHT (A)	CASTERS		TRAY SPACING	TRAY CAPACITY	CART WEIGHT	SHIP WEIGHT
				TYPE	DIAMETER				
DXPTQC1T2D10	43.16" (110cm)	25.63" (65cm)	37.17" (17cm)	2 rigid, 2 swivel w/Tech lock brakes	6" (15cm)	4.75" (12cm)	10	144 lbs (65kg)	331 lbs (150kg)
DXPTQC1T2D12	43.16" (110cm)	25.63" (65cm)	41.92" (19cm)	2 rigid, 2 swivel w/Tech lock brakes	6" (15cm)	4.75" (12cm)	12	162 lbs (73kg)	290 lbs (132kg)
DXPTQC1T2D14	43.16" (110cm)	25.63" (65cm)	46.67" (21cm)	2 rigid, 2 swivel w/Tech lock brakes	6" (15cm)	4.75" (12cm)	14	180 lbs (83kg)	359 lbs (163kg)
DXPTQC1T2D16	43.16" (110cm)	25.63" (65cm)	51.42" (23cm)	2 rigid, 2 swivel w/Tech lock brakes	6" (15cm)	4.75" (12cm)	16	198 lbs (90kg)	455 lbs (206kg)
DXPTQC1T2D18	43.16" (110cm)	25.63" (65cm)	56.17" (25cm)	2 rigid, 2 swivel w/Tech lock brakes	6" (15cm)	4.75" (12cm)	18	216 lbs (98kg)	387 lbs (176kg)
DXPTQC1T2D20	43.16" (110cm)	25.63" (65cm)	60.92" (28cm)	2 rigid, 2 swivel w/Tech lock brakes	6" (15cm)	4.75" (12cm)	20	234 lbs (106kg)	300 lbs (136kg)

* Wrap around bumper option adds 2" (5cm) to the overall length and depth

All carts are designed for the following tray sizes:

12" x 19", 12" x 20", 14" x 18", 15" x 20", DXRST152003

Standard Options Available

- 3 & 4 Sided Top Rails
- Menu Holder
- Floor Drain
- Multiple caster options

• Wrap Around Bumpers*

- Contact your Sales Representative for more information on the available standard options

Please confirm that you have the most current specification sheet by visiting www.dinex.com.

It is Dinex's policy to offer equipment which is design certified by companies that have been accredited at the federal level by the Occupational Safety and Health Agency (OSHA) and ANSI as a national recognized testing laboratory. These companies include CSA International, Underwriters Laboratories, Edison Testing Laboratories and National Sanitation Foundation. However, a continuing program of product improvement makes it necessary to submit new models to the agencies as they are developed. Consequently, all models may not bear the appropriate labels at all times.

Dinex reserves the right to change specifications and product design without notice. Such revisions do not entitle the buyer to corresponding changes, improvements, additions or replacements for previously purchased equipment.

