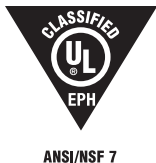


BLAST CHILLER / SHOCK FREEZER – 45 LB CAPACITY



DXDBC45

Item Number

DXDBC45

- **Soft Chilling:** The air temperature is held in the range of 28°F to 35°F, ideal for delicate food items. The chilling cycle is completed when the food core temperature reaches 38°F to 40°F.
- **Hard Chilling:** The air temperature is lowered to 0°F. When the food core temperature reaches 60°F, the air temperature rises to a range of 28°F to 35°F. The chilling cycle is completed when the food core temperature reaches 38°F to 40°F.
- **Shock Freezing:** This cycle is designed to avoid damage to the food structure, keeping the food free of large ice crystals. The air temperature is lowered to and held at -25°F. The freezing cycle is completed when the food core temperature reaches 0°F.
- **Holding:** At the end of any cycle (soft chilling, hard chilling or shock freezing), the unit will automatically switch to a holding mode which will keep the food at 38°F (chilled) or at 0°F (frozen) until START/STOP button is pressed to end the cycle. If the door is opened before pressing START/STOP button, the holding mode will resume when the door is closed and continue until START/STOP button is pressed.

Application

This compact unit has a self-contained, air-cooled refrigeration system and is complete with all required controls and accessories. The microprocessor control system provides a choice of operating cycles: soft chilling, hard chilling, shock freezing, holding, and sterilizing. A heated core temperature probe is provided for accurate control of temperature within the product. The capacity is four (4) 12" x 20" x 2-1/2" deep food pans.

Construction

The chilling/freezing cabinet is constructed of polished type 304 stainless steel, with 2" of CFC-free, high density polyurethane insulation. The interior panels have a mirror finish and interior bottom corners are fully rounded. The door is equipped with a removable magnetic gasket. The door is hinged on operator's left. All motors are sealed ball bearing wash-down type. A 6' long three wire cord set with a NEMA 6-15P plug is provided.

Refrigeration System

The self-contained refrigeration system includes a condensing unit using R-404A refrigerant. The evaporator temperature range is +25°F to -40°F. The compressor is a hermetic type with inherent overload protection.

Performance

Blast chilling (soft or hard) lowers the food core temperature from 160°F to 38°F in less than 2 hours. Shock freezing lowers the food core temperature from 160°F to 0°F within 4 hours. Chilling and freezing times will vary somewhat, depending on the food quantity, initial temperature, density, moisture content, specific heat, and type of container. The airflow has a high velocity, indirect pattern designed to cool all levels at identical rates. Time/temperature chilling and freezing rates meet or exceed all FDA and state regulations.

Microprocessor Control System

The solid state electronic control panel is user friendly, easy to reach and can be set for automatic or manual operation. The heated core probe continuously measures the product temperature during the chilling or freezing cycles. At the end of freezing cycle the probe can be heated for ease of removal from the frozen product. Easy to read VFD display and buzzer alarm are standard features. All settings are programmable by the operator. The standard operating cycles include the following:

Options

6" high s/s legs are standard extra heavy duty 4" diameter casters 2-w/brakes are optional.

Warranty

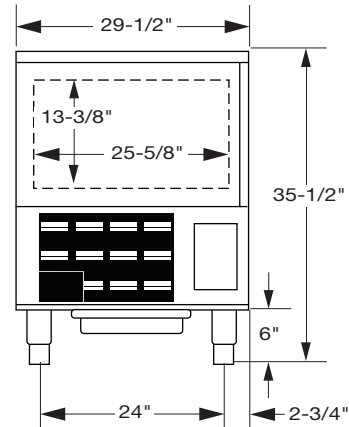
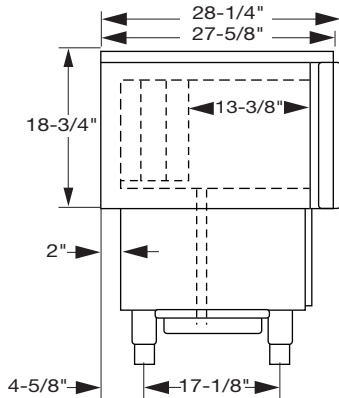
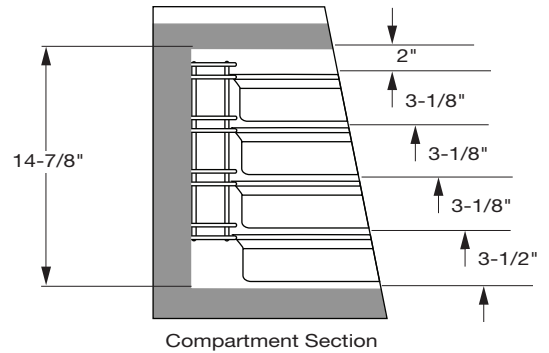
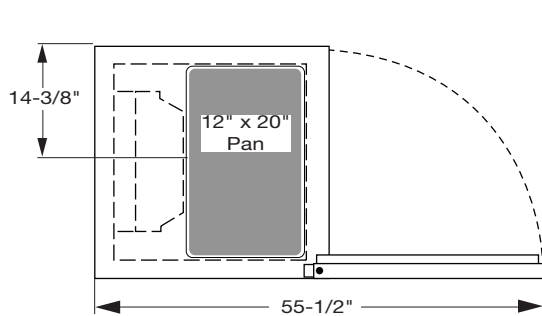
One year parts and labor.

We do not accept returns on any Dinex equipment or Dinex custom products. Please contact your local Dinex rep to ensure order accuracy prior to ordering.

DINEX[®]
A CARLISLE COMPANY

4711 E Hefner Road
Oklahoma City, OK 73131
800.654.8210 • 405.475.5600
www.dinex.com

BLAST CHILLER / SHOCK FREEZER – 45 LB CAPACITY



ANSI/NSF 7



Items and Dimensions

	OUTSIDE			INSIDE			DEPTH WITH DOOR OPENED	SHIP WEIGHT
	LENGTH	DEPTH	HEIGHT	LENGTH	DEPTH	HEIGHT		
English	29.25"	28.25"	35.50"	25.625"	13.875"	14.875"	55.50"	254 lb. (115kg)
Metric (cm)	74.9	71.8	90.2	65.1	35.2	37.8		

ITEM NUMBER	MODEL NUMBER	MAXIMUM LOAD PER CYCLE (LBS)		ELECTRICAL TOTAL					COMPRESSOR HP
		CHILL	FREEZE	VOLTS	PH.	HZ.	AMPS	NEMA	
DXDBC45	DBC45	45 lb.	27 lb.	208	1	60	7.0	6-15P	1



Please confirm that you have the most current specification sheet by visiting www.dinex.com.
 Dinex® reserves the right to change specifications and product design without notice.
 Such revisions do not entitle the buyer to corresponding changes, improvements, additions or replacements for previously purchased equipment.

4711 E Hefner Road
 Oklahoma City, OK 73131
 800.654.8210 • 405.475.5600
www.dinex.com