



Deep Drawn 1 Compartment Drop-In Sink

Drop In Sinks

Certifications:



Features:

- Deep Drawn Construction for a seamless and more appealing design
- Traditional Top Mount
- Includes BKDR-4 Drain
- Faucet Holes 8" O.C.

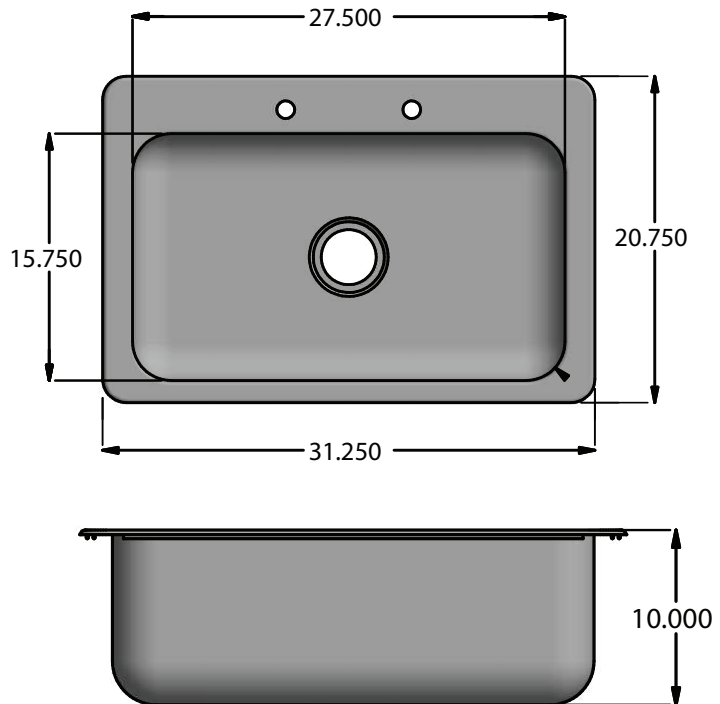
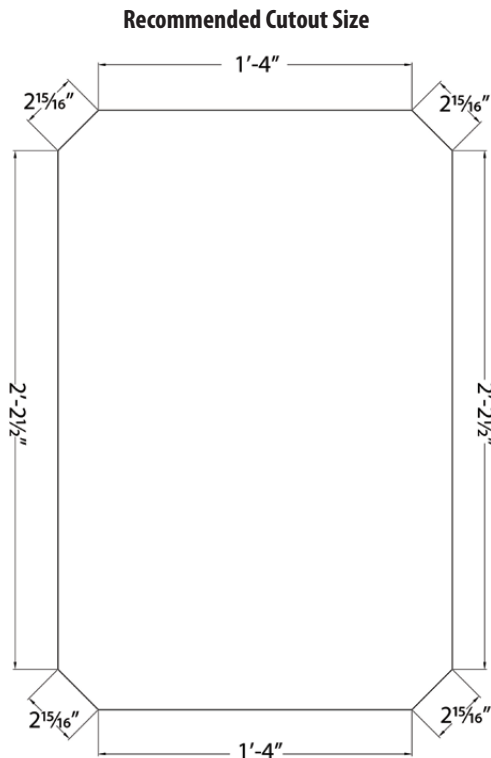
Material:

- T-304 18 ga. Stainless Steel

Options:

- Upgrade to OptiFlow Heavy Duty Faucets or Evolution Stainless Steel Faucets
- Wrist Blades
- "-P-G" Includes BK8D-8G-G Lead-Free Faucet

| Part Number | Unit Size (l x w x d) | Bowl Size (l x w x d) | Included Faucet |
|------------------|---|-----------------------|-----------------|
| DDI-28161028 | 31 ¹ / ₄ " x 20 ³ / ₄ " x 10" (d) | 28" x 16" x 10" (d) | - |
| DDI-28161028-P-G | 31 ¹ / ₄ " x 20 ³ / ₄ " x 10" (d) | 28" x 16" x 10" (d) | BK8D-8G-G |



PRODUCT DATA SHEET

BK RESOURCES

