



# Deep Drawn Drop-In Sink with 3-Sided Riser

Drop In Sinks



## Certifications:



## Features:

- Deep Drawn Construction for a seamless and more appealing design
- Traditional Top Mount
- Includes BKDR-4 Drain
- Faucet Holes 4" O.C.

## Material:

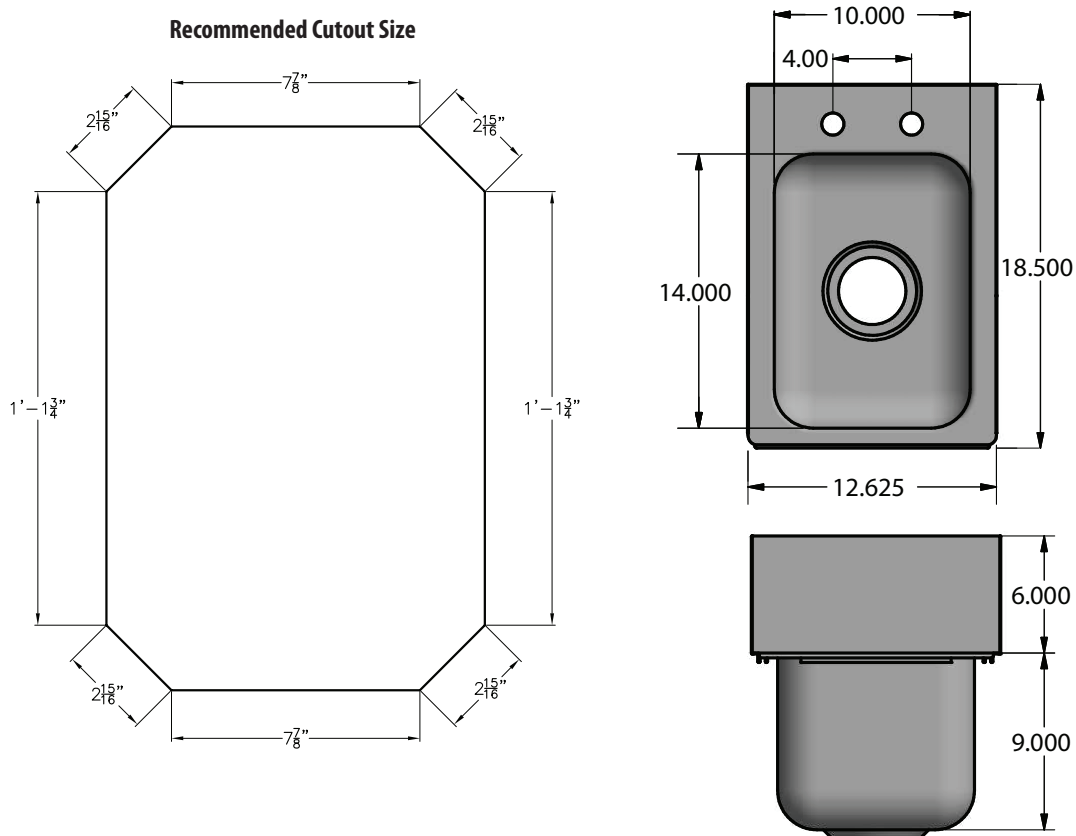
- T-304 18 ga. Stainless Steel

## Options:

- Upgrade to OptiFlow Heavy Duty Faucets or Evolution Stainless Steel Faucets
- Wrist Blades
- "-P-G" Includes BKD-5G-G Lead-Free Faucet

Part Number	Unit Size (l x w x d)	Bowl Size (l x w x d)	Included Faucet
DDI-10141024S	12 <sup>5</sup> / <sub>8</sub> " x 18 <sup>1</sup> / <sub>2</sub> " x 15 <sup>1</sup> / <sub>4</sub> " (d)	10" x 14" x 10" (d)	-
DDI-10141024S-P-G	12 <sup>5</sup> / <sub>8</sub> " x 18 <sup>1</sup> / <sub>2</sub> " x 15 <sup>1</sup> / <sub>4</sub> " (d)	10" x 14" x 10" (d)	BKD-5G-G

### Recommended Cutout Size



PRODUCT DATA SHEET

BK RESOURCES

