



COUNTERTOP DOUBLE BURNER (HOB) COOKTOP with Apogee™ Controls



PERFORMANCE

The CookTek® Countertop Double Burner (Hob) Cooktop with Apogee™ Controls is a portable design with stainless steel housing and a glass-ceramic top intended for commercial kitchens and restaurants. An automatic shut-off feature, integral cooling fan, and self-diagnosing microprocessor allow for a safe kitchen environment. Each unit is equipped with 100 power cook and temperature settings to ensure maximum and efficient heating of any induction-compatible pan.*

Project _____

Item No. _____

Quantity _____

FEATURES

- Models available in 5,000 (2,500/burner); 6,000 (3,000/burner); 7,000 (3,500/burner) watts
- Portable design with stainless steel housing
- Touch controls with LCD panel
- Easy-to-clean high-temperature glass-ceramic top
- High-quality internal electronics and heavy gauge Litz wire
- Individual controls for each burner (hob) for independent operation and functionality
- Built-in cook timer
- Automatic pan detection allows for instant energy transmission to pan
- Lock feature prevents unwanted setting changes
- Programmed with 100 power cook and temperature settings
- Automatic shut-off feature prohibits overheating
- Integral grease filter and air baffle ensure air intake is cleaner and cooler
- Microprocessor monitors vital components to check for overheating, power supply issues, and more
- Integral fan keeps internal components cool
- Available in 200–240 VAC, single phase
- Includes plug and cord (6 ft. nominal)
- Two-year advanced replacement warranty – U.S. and Canada

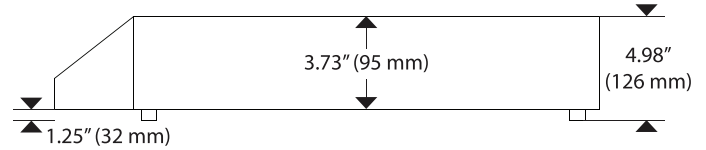
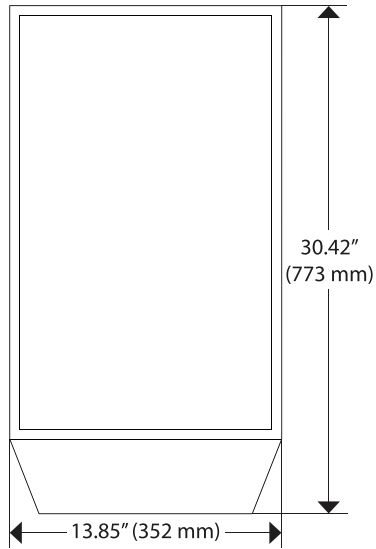
CERTIFICATIONS



COUNTERTOP DOUBLE BURNER (HOB) COOKTOP

*Induction cooking requires the use of induction-compatible (i.e. magnetic) cookware.

It is the owner and installer's responsibility to comply with all local codes. CookTek reserves the right to make substitutions of components or change specifications without prior notice.



| DIMENSIONS | | |
|-------------------------|-----------------|---------|
| Full Unit Height | 4.98" | 126 mm |
| Housing Height | 3.73" | 95 mm |
| Full Unit Width | 13.85" | 352 mm |
| Full Unit Depth | 30.42" | 773 mm |
| Weight | 31.2 lb. | 14.2 kg |
| Max Ambient Temperature | 122°F | 50°C |
| WALL CLEARANCE | | |
| Front | 2" | 51 mm |
| Sides | 2" | 51 mm |
| Rear | 2" | 51 mm |
| SHIPPING INFORMATION | | |
| Packaged Height | 12" | 305 mm |
| Packaged Width | 18" | 457 mm |
| Packaged Depth | 36" | 914 mm |
| Packaged Weight | 45 lb. | 20.4 kg |
| Item Class | 250 NMFC #26710 | |

| ELECTRICAL SPECIFICATIONS (SINGLE PHASE) | | | |
|--|--------|---------------------------------------|---------------------|
| UNITED STATES/CANADA (per burner) | | | |
| MC2502FG | 620501 | 200–240 V, 50/60 Hz, 22 A, 100–2500 W | NEMA 6-30P |
| MC3002FG | 620601 | 200–240 V, 50/60 Hz, 26 A, 100–3000 W | NEMA 6-50P |
| MC3502FG | 620701 | 200–240 V, 50/60 Hz, 30 A, 100–3500 W | NEMA 6-50P |
| UK AND SAUDI ARABIA (per burner) | | | |
| MC2502FG | 620502 | 200–240 V, 50/60 Hz, 22 A, 100–2500 W | IEC 309, 32A, 3-pin |
| MC3002FG | 620602 | 200–240 V, 50/60 Hz, 26 A, 100–3000 W | IEC 309, 32A, 3-pin |
| MC3502FG | 620702 | 200–240 V, 50/60 Hz, 30 A, 100–3500 W | IEC 309, 32A, 3-pin |
| INTERNATIONAL (per burner) | | | |
| MC2502FG | 620503 | 200–240 V, 50/60 Hz, 22 A, 100–2500 W | IEC 309, 32A, 3-pin |
| MC3002FG | 620603 | 200–240 V, 50/60 Hz, 26 A, 100–3000 W | IEC 309, 32A, 3-pin |
| MC3502FG | 620703 | 200–240 V, 50/60 Hz, 30 A, 100–3500 W | IEC 309, 32A, 3-pin |
| AUSTRALIA (per burner) | | | |
| MC2502FG | 620504 | 200–240 V, 50/60 Hz, 22 A, 100–2500 W | 56PA332, 32A, 250V |
| MC3002FG | 620604 | 200–240 V, 50/60 Hz, 26 A, 100–3000 W | 56PA332, 32A, 250V |
| MC3502FG | 620704 | 200–240 V, 50/60 Hz, 30 A, 100–3500 W | 56PA332, 32A, 250V |
| SOUTH AFRICA (per burner) | | | |
| MC2502FG | 620507 | 200–240 V, 50/60 Hz, 22 A, 100–2500 W | - |
| MC3002FG | 620607 | 200–240 V, 50/60 Hz, 26 A, 100–3000 W | IEC 309, 32A, 3-pin |
| MC3502FG | 620707 | 200–240 V, 50/60 Hz, 30 A, 100–3500 W | IEC 309, 32A, 3-pin |
| ISRAEL (per burner) | | | |
| MC2502FG | 620508 | 200–240 V, 50/60 Hz, 22 A, 100–2500 W | IEC 309, 32A, 3-pin |
| MC3002FG | 620608 | 200–240 V, 50/60 Hz, 26 A, 100–3000 W | IEC 309, 32A, 3-pin |
| MC3502FG | 620708 | 200–240 V, 50/60 Hz, 30 A, 100–3500 W | IEC 309, 32A, 3-pin |



NEMA 6-30P



NEMA 6-50P



IEC 309, 32A, 3-pin



56PA332, 32A, 250V



Dedicated circuit required for each installation.

Global Operations

2801 Trade Center Drive / Carrollton, Texas 75007 USA
 US: 800.90TURBO (800.908.8726) / International: +1 214.379.6000
 Fax: +1 214.379.6073 / www.cooktek.com