

# PIZZA PREPARATION TABLE

**Model: CPA118-D**

## 118" Pizza Preparation Refrigerator with Drawers and Half Door

Heavy gauge #300 series stainless steel top, stainless steel front and end panels, aluminum interior.



### Options and Accessories

(upcharge and lead times may apply)

Stainless steel interior	Vision panel lids
Stainless steel back	Door/drawer locks
Condensing unit on left (standard on right)	Adjustable legs
Drawer in lieu of half door above the condensing unit*	Front breathing
Wire rod garnish rack	Special electrical requirements ( <i>consult factory</i> )

\*Drawer section above condensing unit holds (1) 12 x 20 x 6 pan  
Consult factory for other model configurations, options and accessories.

Project Name:

Model Specified:

Location:

Item No:

Quantity:

AIA #:

SIS #:

### Standard Model Features

#### REFRIGERATION SYSTEM

- Performance-rated refrigeration system
- Environmentally-safe R-450A refrigerant
- Unique forced air design utilizes fans (approx. every 12") across the entire back of unit for even distribution of cold
- Automatic, electric condensate evaporator
- Non-corrosive, plasticized fin evaporator coil
- Easily serviceable, slide-out condensing unit
- Expansion valve system

#### CABINET ARCHITECTURE

- 2" non-CFC polyurethane foam insulation
- Smooth, polished chrome door/drawer handles
- Spring loaded, self closing door (above condensing unit)
- Magnetic snap-in door/drawer gaskets
- Stainless steel roll-out drawers
- 19" deep, full length nylon cutting board
- Insulated lids (with heavy-duty hinge pins)
- (14) pan top divider bars\*
- 5" casters

\* Pans supplied by others

#### MODEL FEATURES

- Reversing condenser fan<sup>1</sup>
- Knob-type electronic controller mounted in control box
- Ergonomically-friendly raised angle rail
- Electronic control, off-cycle defrost
- Refrigerated section w/door above the condensing unit
- Field rehingeable door (above condensing unit)

<sup>1</sup> Fan runs in reverse for short period on startup to blow away any debris.

*NOTE: CPA-D models come standard with a door above the condensing unit. A drawer above the condensing unit is an option.*

**Continental**  
Refrigerator

Toll-Free: 800-523-7138  
Phone: 215-244-1400  
Fax: 215-244-9579

539 Dunksferry Road  
Bensalem, PA 19020  
www.continentalrefrigerator.com

APPROVAL:

## Model Specifications

### DIMENSIONAL DATA

Net Capacity (cu. ft.)	44 (1246 cu l)
Width, Overall (in.)	118 (2997 mm)
Depth, Overall (in.) (incl. cutting board & bumpers)	36 7/8 (937 mm)
Height, Overall (in.) (incl. 5" casters)	39 7/16 (1002 mm)
Depth, Cutting Board (in.)	19 (483 mm)
No. of Drawers	8
No. of Half Doors	1
Interior Height (in.) (above condenser)	12 1/2 (318 mm)

### PAN TOP

Divider Bars (supplied with model)	(14) CM1-0111
Pan Capacity (pans supplied by others)	(16) 1/3

### REFRIGERANT DATA

Condensing Unit Size (H.P.)	3/4
Capacity (BTU/Hr)*	5600

\* Rating @ +25°F evaporator, 90°F ambient

### ELECTRICAL DATA

Voltage (int'l)	115/60/1 (220/50/1)
Total Amps (int'l)	16.6 (9.1)
10 ft. Cord/Plug [attached] (int'l)	Yes (No)

### SHIPPING DATA

Weight (lbs.)	1122 (509 kg)
Height - Crated (in.)	43 3/4 (1111 mm)
Width - Crated (in.)	120 (3048 mm)
Depth - Crated (in.)	47 (1194 mm)

### DRAWER PAN CONFIGURATIONS

**Two Tier:** (2) 12 x 20 x 6 pans per drawer

Figures in parentheses reflect metric equivalents rounded to the nearest whole unit.



Equipped with one NEMA-5-20P Plug  
(varies by country)

**Continental**  
Refrigerator

Toll-Free: 800-523-7138  
Phone: 215-244-1400  
Fax: 215-244-9579

539 Dunkserry Road  
Bensalem, PA 19020  
[www.continentalrefrigerator.com](http://www.continentalrefrigerator.com)

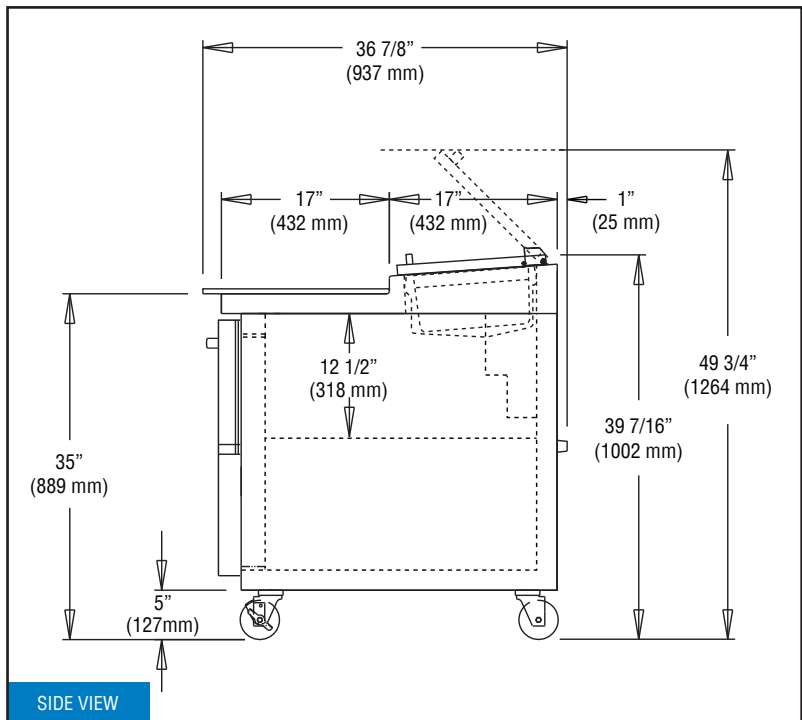
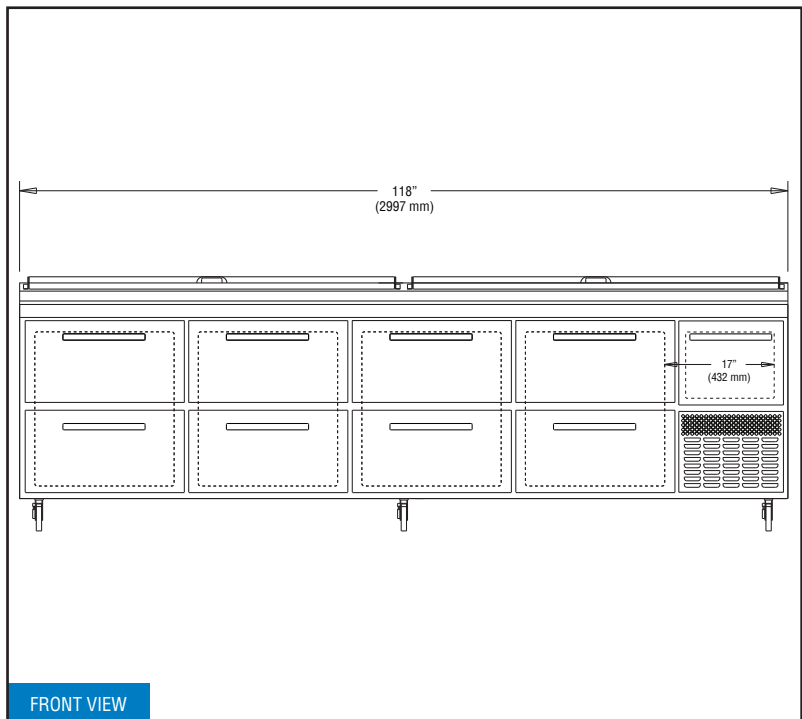
Due to our continued efforts in developing innovative products, specifications subject to change without notice.



MADE IN THE U.S.A.

© Copyright 2020. Continental Refrigerator.  
A Division of National Refrigeration & Air Conditioning Products, Inc.

## Model Plan Views



**IMPORTANT NOTE:** If the cabinet is located directly against a wall, a minimum clearance of 3" is required on sides, front and rear.