

DESIGNER LINE REFRIGERATOR

Model: D1RXNHD

Natural Refrigerant R-290 Model



1-Section Extra-Wide Reach-In Refrigerator with Half Doors

D1RXNHD - Stainless steel front, aluminum end panels and interior

D1RXNSAHD - Stainless steel exterior, aluminum interior

D1RXNSSHD - Stainless steel exterior and interior



Options and Accessories

(upcharge and lead times may apply)

| | |
|--------------------------------------|---|
| Stainless steel case back | Shallow depth |
| Add'l epoxy-coated steel shelves | Hinged glass doors |
| Chrome or stainless steel shelves | Special electrical req. (consult factory) |
| Rehinging of doors (consult factory) | Correctional Facility Options |
| Wine rack | • One way security screws |
| Casters | • Locking hasp (lock not included) |
| Custom laminates | • Stainless steel mesh cover |
| Full door | • Coverless hinges |

Consult factory for other model configurations, options and accessories.



Toll-Free: 800-523-7138

Phone: 215-244-1400

Fax: 215-244-9579

539 Dunksferry Road
Bensalem, PA 19020
www.continentalrefrigerator.com

Project Name:

Model Specified:

Location:

Item No:

Quantity:

AIA #:

SIS #:

Standard Model Features

REFRIGERATION SYSTEM

Self contained, performance-rated "plug" refrigeration system

Natural, environmentally-safe, high-efficiency R-290 refrigerant¹

Refrigeration system is readily accessible on top of cabinet, separate from the "food zone"

Automatic, hot gas condensate evaporator

Expansion valve system

CABINET ARCHITECTURE

3" non-CFC polyurethane foam insulation

Smooth, polished chrome workflow door handles

Cam action, lift off hinges

Self-closing doors

Magnetic snap-in door gaskets

Cylinder lock in each door

Heavy-duty, epoxy-coated steel shelves

Adjustable 6" stainless steel legs

MODEL FEATURES

LED interior lighting

Electronic controller w/digital display & hi-low alarm

Top and side air distribution ducts

Cabinet upper side panels and refrigeration "plug" system can be removed and reinstalled at job site

¹ R-290 refrigerant meets all federal and state regulatory requirements.

APPROVAL:

Model Specifications

DIMENSIONAL DATA

| | |
|---------------------------------------|------------------|
| Net Capacity (cu. ft.) | 32 (906 cu l) |
| Width, Overall (in.) | 36 1/4 (921 mm) |
| Depth, Overall (in.) (incl. handles) | 35 3/8 (899 mm) |
| Depth (in.) (less doors) | 32 (813 mm) |
| Depth (in.) (doors open 90°) | 66 (1676 mm) |
| Clear Door Width (in.) | 29 5/8 (752 mm) |
| Clear Half Door Height (in.) | 27 1/2 (699 mm) |
| Height, Overall (in.) (incl. 6" legs) | 83 1/4 (2115 mm) |
| No. of Doors | 2 |
| No. of Shelves | 3 |
| Shelf Area (sq. ft.) | 24.4 (2.3 sq m) |

REFRIGERANT DATA

| | |
|-----------------------------|------|
| Condensing Unit Size (H.P.) | 1/3+ |
| Capacity (BTU/Hr)* | 2560 |

ELECTRICAL DATA

| | |
|-------------------------------------|---------------------|
| Voltage (int'l) | 115/60/1 (220/50/1) |
| Feed Wires (incl. ground) | 3 |
| Total Amps (int'l) | 6.9 (4.9) |
| 10 ft. Cord/Plug [attached] (int'l) | Yes (No) |

SHIPPING DATA

| | |
|----------------------------|------------------|
| Height - Crated (in.) | 85 1/2 (2172 mm) |
| Width - Crated (in.) | 42 (1067 mm) |
| Depth - Crated (in.) | 42 (1067 mm) |
| Volume - Crated (cu. ft.) | 87 (2464 cu l) |
| Weight Std - Crated (lbs.) | 440 (200 kg) |
| Weight SS - Crated (lbs.) | 462 (210 kg) |

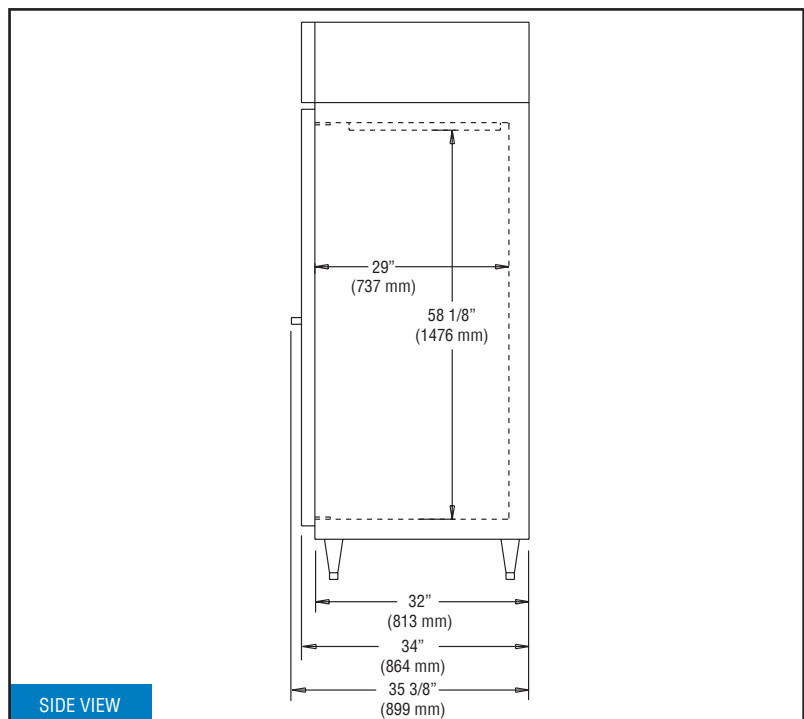
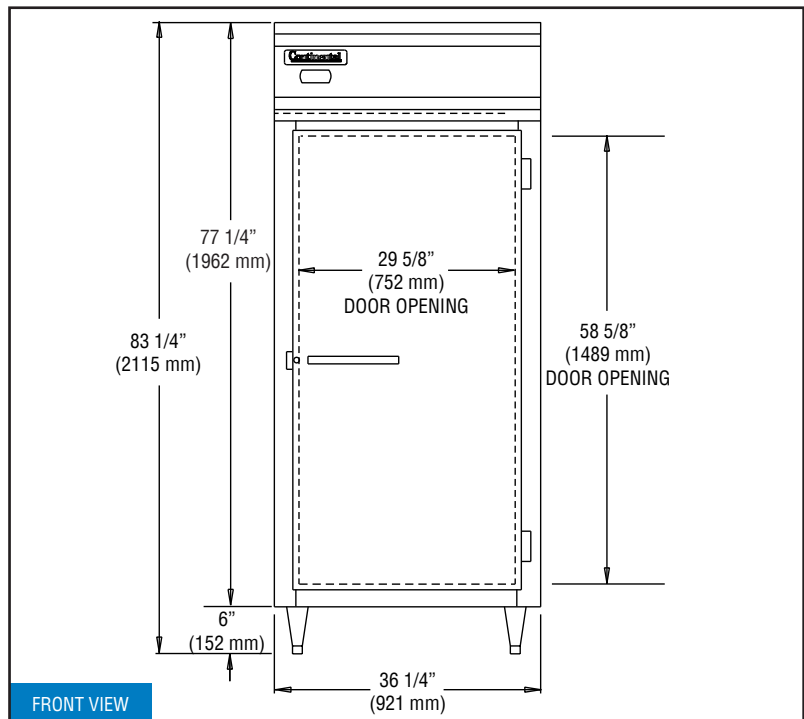
* Rating @ +25°F evaporator, 90°F ambient

Figures in parentheses reflect metric equivalents rounded to the nearest whole unit.



Equipped with one NEMA-5-15P Plug
(varies by country)

Model Plan Views



IMPORTANT NOTE: If the cabinet is located directly against a wall and/or under a low ceiling, a minimum clearance of 12" is required on top and 3" on sides and rear.

Continental
Refrigerator

Toll-Free: 800-523-7138
Phone: 215-244-1400
Fax: 215-244-9579

539 Dunkserry Road
Bensalem, PA 19020
www.continentalrefrigerator.com

Due to our continued efforts in developing innovative products, specifications subject to change without notice.



MADE IN THE U.S.A.

© Copyright 2019, Continental Refrigerator.
A Division of National Refrigeration & Air Conditioning Products, Inc.