

DESIGNER LINE REFRIGERATOR/FREEZER

Model: D1RFNHD

Natural Refrigerant R-290 Model

Designer Line

1-Section Dual Temp Over/Under Reach-In Refrigerator/Freezer (0°F)

D1RFNHD - Stainless steel front, aluminum end panels and interior

D1RFNSAHD - Stainless steel exterior, aluminum interior

D1RFNSSHD - Stainless steel exterior and interior



Options and Accessories

(upcharge and lead times may apply)

Stainless steel case back	Hinged glass doors (consult factory)
Add'l epoxy-coated steel shelves	Special electrical req. (consult factory)
Chrome or stainless steel shelves	Correctional Facility Options
Rehinging of doors (consult factory)	<ul style="list-style-type: none"> One way security screws
Pan slide assemblies	<ul style="list-style-type: none"> Locking hasp (lock not included)
Wine rack (refrigerator section)	<ul style="list-style-type: none"> Stainless steel mesh cover
Casters	<ul style="list-style-type: none"> Coverless hinges
Custom laminates	

Consult factory for other model configurations, options and accessories.

Project Name:

Model Specified:

Location:

Item No:

Quantity:

AIA #:

SIS #:

Standard Model Features

REFRIGERATION SYSTEM

Separate, self contained, performance-rated refrigeration systems (coil housing in cabinet zones)

Natural, environmentally-safe, high-efficiency R-290 refrigerant¹

Automatic, electric condensate evaporator

Freezer section: standard operating temperature is 0 to -5°F and can be adjusted to operate as low as -10°F in a 90°F ambient.

CABINET ARCHITECTURE

3" non-CFC polyurethane foam insulation

Smooth, polished chrome workflow door handles

Cam action, lift off hinges

Self-closing doors

Magnetic snap-in door gaskets

Cylinder lock in each door

Heavy-duty, epoxy-coated steel shelves

Adjustable 6" stainless steel legs

MODEL FEATURES

LED interior lighting

Electronic controllers w/digital display & hi-low alarm

Automatic electric defrost (freezer section)

¹ R-290 refrigerant meets all federal and state regulatory requirements.

Continental
Refrigerator

Toll-Free: 800-523-7138
Phone: 215-244-1400
Fax: 215-244-9579

539 Dunksferry Road
Bensalem, PA 19020
www.continentalrefrigerator.com

APPROVAL:

Model Specifications

DIMENSIONAL DATA

Net Capacity (cu. ft.)	10/10 (283/283 cu l)
Width, Overall (in.)	26 (660 mm)
Depth, Overall (in.) (incl. handles)	35 3/8 (899 mm)
Depth (in.) (less doors)	32 (813 mm)
Depth (in.) (doors open 90°)	55 1/2 (1410 mm)
Clear Door Width (in.)	19 3/8 (492 mm)
Clear Half Door Height (in.)	27 1/2 (699 mm)
Height, Overall (in.) (incl. 6" legs)	83 1/4 (2115 mm)
No. of Doors	2
No. of Shelves	4
Shelf Area (sq. ft.)	20.4 (1.9 sq m)
Tray Slide Capacity (per half section)	11

REFRIGERANT DATA

Condensing Unit Size (H.P.)	1/5, 1/3
Capacity (BTU/Hr)*	1625 / 1800

ELECTRICAL DATA

Voltage (int'l)	115/60/1 (220/50/1)
Feed Wires (incl. ground)	3 / 3
Total Amps (int'l)	2.5 (2.7) / 5.7 (3.0)
Defrost Amps (int'l)	3.9 (2.2)
(2) 10 ft. Cord/Plug [attach.] (int'l)	Yes (No)

SHIPPING DATA

Height - Crated (in.)	85 1/2 (2172 mm)
Width - Crated (in.)	31 5/8 (803 mm)
Depth - Crated (in.)	42 (1067 mm)
Volume - Crated (cu. ft.)	65 (1841 cu l)
Weight Std - Crated (lbs.)	420 (191 kg)
Weight SS - Crated (lbs.)	480 (218 kg)

* Rating @ +25°F evaporator, 90°F ambient (refrigerator)

* Rating @ -15°F evaporator, 90°F ambient (freezer)

Figures in parentheses reflect metric equivalents rounded to the nearest whole unit.



Equipped with two NEMA-5-15P Plugs
(varies by country)

Continental
Refrigerator

Toll-Free: 800-523-7138
Phone: 215-244-1400
Fax: 215-244-9579

539 Dunkserry Road
Bensalem, PA 19020
www.continentalrefrigerator.com

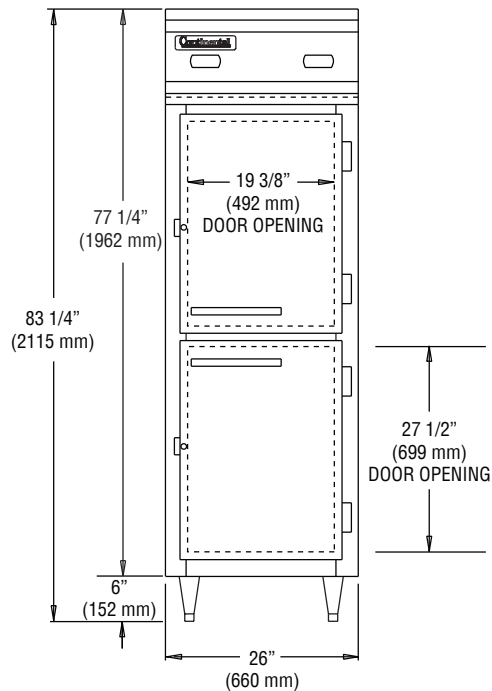
Due to our continued efforts in developing innovative products, specifications subject to change without notice.



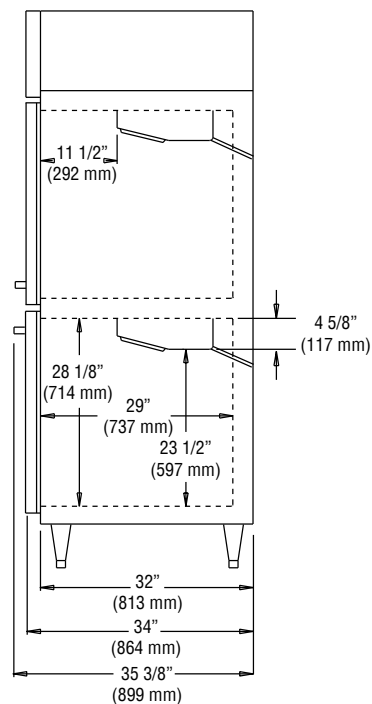
MADE IN THE U.S.A.

© Copyright 2020. Continental Refrigerator.
A Division of National Refrigeration & Air Conditioning Products, Inc.

Model Plan Views



FRONT VIEW



SIDE VIEW

IMPORTANT NOTE: If the cabinet is located directly against a wall and/or under a low ceiling, a minimum clearance of 12" is required on top and 3" on sides and rear.