



## Product Specifications

# 15" Nugget Ice Machine

CNP115: 15" Nugget Ice Machine



CNP115

CNP115

Project:	Notes:
----------	--------

Features and Specifications
Industry exclusive U-Choose™ feature offers five levels of ice density
Produces up to 90 lb of ice per day
Stores 30 lb of ice
Makes cylindrical compressed ice bits approx. 3/4" L x 1/2" H
Indicator alert notifies when cleaning is needed
Stainless steel cabinet, grille, and full-wrap door
Dimensions: 34 11/16" H x 14 15/16" W x 22 15/16" D
Easiest nugget ice machine cleaning process in the industry
Designed for built-in or freestanding applications
Factory installed drain pump
High efficiency variable speed compressor with 1.2 running amps
Environmentally friendly R600a refrigerant

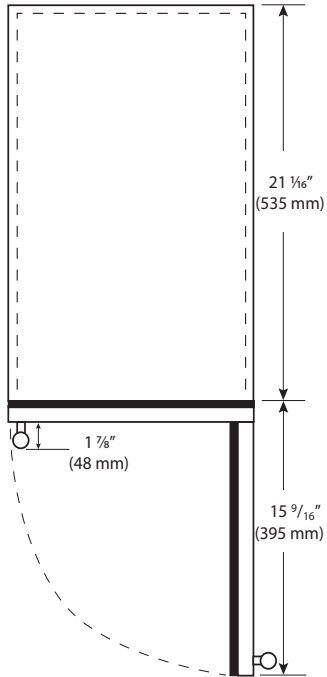
Model Details			
Model	Description	Voltage/Hz	Shipping Weight
UCNP115-SS01A	Nugget Ice Machine 15" Reversible Hinge Stainless Solid	115v / 60hz	96 lb

Accessories		
Model	Description	Shipping Weight
ULANUGGETCLEAN	Nugget Ice Cleaner (Single 8 oz. bottle)	1 lb
ULAWATERHOOKUP	Braided Water Supply Line Kit	2 lb

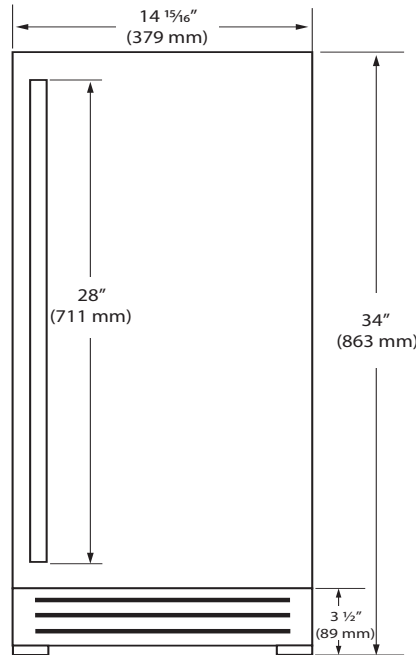


# Product Specifications • 15" Nugget Ice Machine

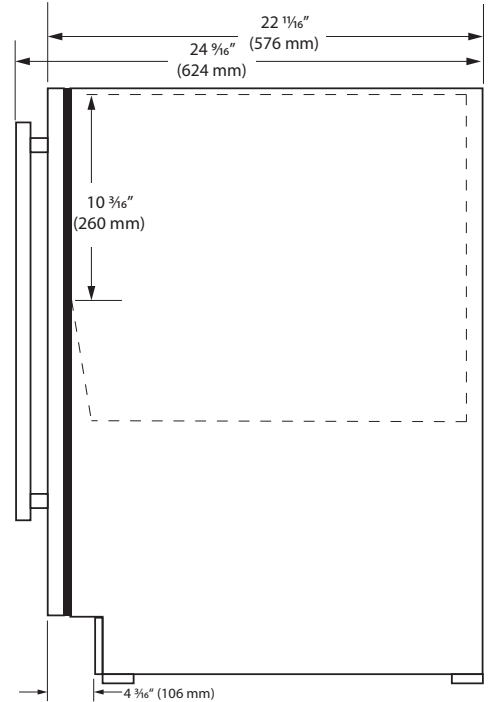
**Top**



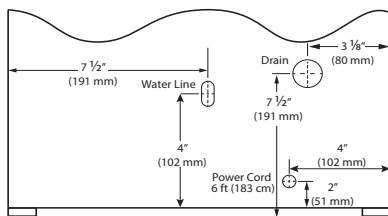
**Front**



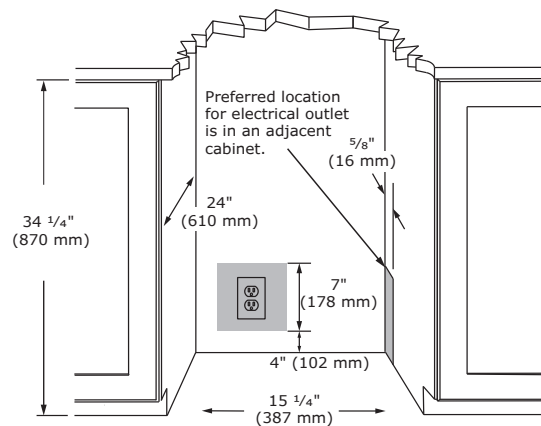
**Side**



**Back**



**Cabinet Cut-Out**



## Commercial Warranty

1 Year (parts & labor) / 5 year sealed system (parts)  
See complete warranty for details

## Installation Notes

- Power cord extends 2" beyond total depth
- No additional clearance is needed for ventilation
- Do not obstruct front grille air flow