



# CHEMICAL SANITIZING SINGLE RACK FRONT LOADING DISHWASHER

## EST-FL

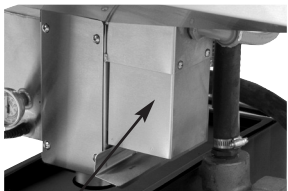
Low Temperature  
Single Rack Dishwasher



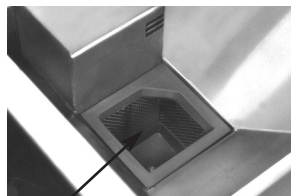
### FEATURES

- 75% less floor space than traditional Dishmachines (compact space-saving design)
- Standard 20"X20" racks
- Requires only 5.06 sq ft of floor space
- Front loading door design provides optimal working height for easy loading and unloading of dishes
- 90 sec cycle (40 racks per hour)
- Energy Star water saving design uses only 1.09 gallons of water per cycle
- Standard 115v electrical circuit
- Powerful Stainless Steel pump with Upper and Lower Wash Arms
- Pumped fresh water rinse system
- Low-temp chemical sanitizing system which requires minimum 120 degree, ideal 140 degree water supply
- Top mounted controls with automatic 3-product dispensing system
- Large 16" dish clearance height
- Interchangeable components compatible with other CMA products
- Inside sump design
- ETL/UL/Energy Star Certified

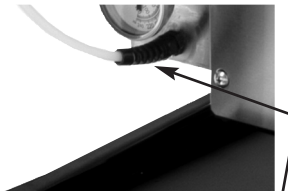
### CMA MODEL: EST-FL



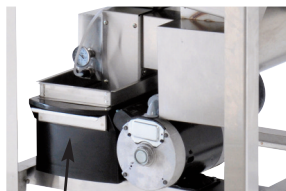
Internal power drain saves space, has quiet activation and drains quickly.



Self cleaning pump screen prevents service calls.



Sanitizing system sanitizer injector is located close to pump allowing sanitizing to take place immediately. Strategic location eliminates chlorine damage to the machine.



Built-in Poly Pro Scrap Accumulator with stainless steel tray and cover.

### AVAILABLE OPTIONS

- Built-in Hot Water Assurance System provides hot water every cycle
- Low Chemical Alarm
- CMA Front Skirt
- Alternative Cycle Times
- Alternative Electrical Available



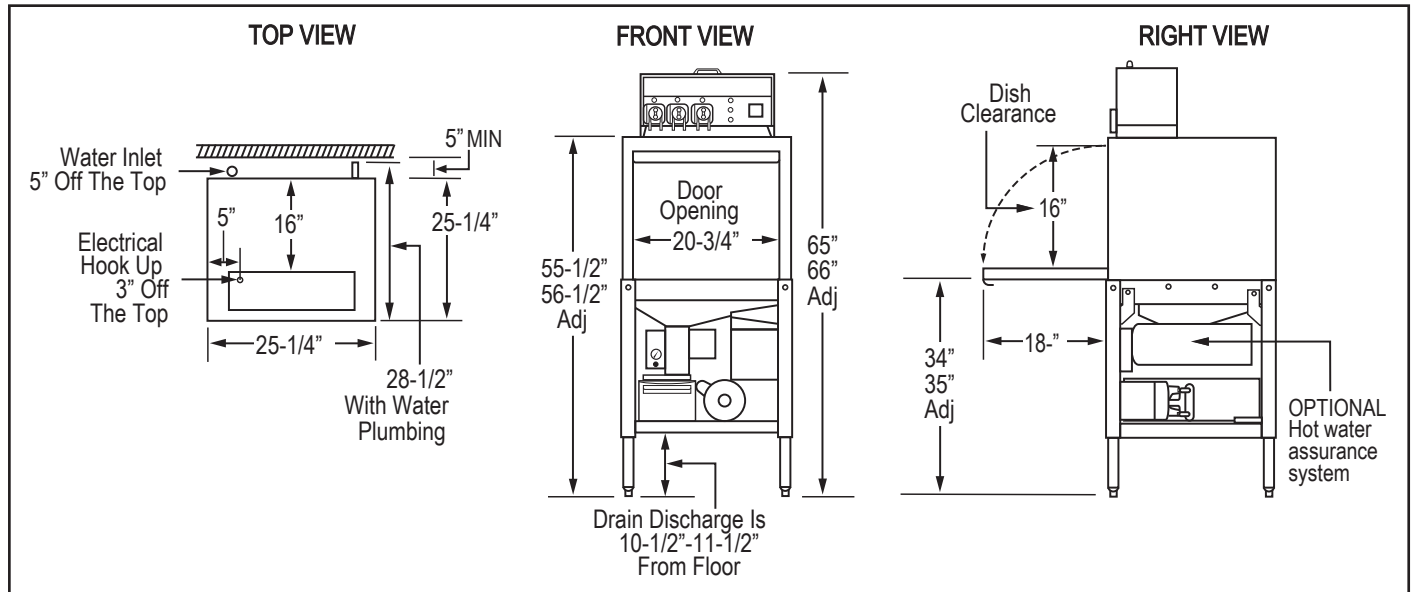


# EST-FL (FRONT LOADER)

Chemical Sanitizing  
Single Rack  
Dishmachine

### WARNINGS:

- Plumbing connections must be made by a qualified service company who will comply with all available Federal, State, and Local Health, Plumbing and Safety codes.
- CMA recommends utilizing a water softening system to maintain water hardness measurements of 3.5 gpg (grains per gallon) or less. This will assure maximum results and optimum operation of the dishmachine.



### Specifications:

MODEL EST-FL	USA	METRIC	USA	METRIC
<b>WATER CONSUMPTION</b>				
PER RACK	1.09 GAL.	(4.12L)		
PER HOUR	43.6 GPH	(165 L)		
WATER INLET	1/2"	(1.27cm)		
DRAIN	2"	(5.1cm)		
<b>OPERATING CYCLE</b>				
WASH TIME - SEC.	53	53		
RINSE TIME - SEC.	30	30		
DWELL	7	7		
TOTAL CYCLE	90	90		
<b>OPERATING CAPACITY</b>				
RACKS PER HOUR	40	40		
<b>WASH TANK CAPACITY</b>	1.09 GAL.	(4.12 L)		
<b>PUMP CAPACITY</b>	52 GPM	(197 LPM)		
<b>OPERATING TEMPERATURE</b>				
REQUIRED	120°F	(49°C)		
RECOMMENDED	140°F	(60°C)		
<b>FRAME DIMENSIONS</b>				
DEPTH	25-1/4"	(64.1cm)		
WIDTH	25-1/4"	(64.1cm)		
HEIGHT	55-1/2"-56-1/2"	(141.2cm-143.5cm)		
MAXIMUM CLEARANCE HEIGHT FOR DISHES	16"	(40.6cm)		
<b>STANDARD DISHRACK</b>	1	1		
DIMENSIONS	20"X20"	(50.8 x 50.8cm)		
<b>WASH PUMP MOTOR HP</b>	1	1		
<b>ELECTRICAL RATING</b>	<b>VOLTS</b>	<b>AMPS</b>		
WITH HOT WATER	115	16		
	115	16		
<b>APPROXIMATE SHIPPING WEIGHT</b>	243# (With HTR)	(110 kg)		
	243# (With No HTR)	(110 kg)		
<b>SHIPPING DIMENSIONS</b>	PALLET & BOX @ 41" X 41" X 66" (With HTR)			
	PALLET & BOX @ 41" X 41" X 66" (No HTR)			

### Summary Specifications: Model EST Front Loader

The Energy Mizer model EST FRONT LOADER low temperature, chemical sanitizing commercial dishwasher meets UL Electrical and ETL Sanitation (NSF Standard 3) standards. Model EST FRONT LOADER is constructed entirely of stainless steel. Each unit automatically washes, rinses and sanitizes food service utensils in standard 20" x 20" racks. Unit comes with upper and lower stainless steel wash arms.

**Advisory:** CMA does NOT endorse "Tankless On-Demand" water heaters for use on CMA Dishmachine products. CMA DOES endorse, and highly recommends, the standard "tank" style water heaters, sized properly to handle each particular facility with their water heating requirements.



CMA Dishmachines 12700 Knott Street, Garden Grove CA 92841 • 800-854-6417 • 714-898-8781 • Fax: 714-895-2141 • www.cmadishmachines.com

CMA reserves the right to modify specifications or discontinue models without prior notification.

© 3-2020 CMA, Inc.

an Ali Group Company



The Spirit of Excellence