



HIGH TEMPERATURE UNDERCOUNTER GLASSWASHER

181-GW

High Temperature Undercounter Glasswasher



FEATURES

- 16 gauge 304 Stainless Steel wash tank.
- 30 racks per hour or 600 glasses per hour (20 per 19-3/4"X19-3/4" rack).
- Large 11-1/4" height clearance accommodates larger glassware.
- Top mounted controls are easy to read and simple to operate.
- .75 gallons of water per cycle or rack.
- Safe-T-Temp booster heater capable of a 70°F rise. (3 minute cycle)
- 180°F final rinse
- Detergent and rinse chemical pumps.
- Fresh water rinse through upper and lower rotating arms.
- Removable Stainless Steel pump protection screen for easy cleaning.
- Raised wash chamber reduces "bending over" to remove racks
- Gravity drain system.
- Great application for the WINE industry.

CMA MODEL: 181-GW



Stainless Steel Pedestal



4" Stainless Steel Legs

AVAILABLE OPTIONS

- Pump Drain Kit
- 48" Undercounter Dishtable
- Drain Board



Roller Casters



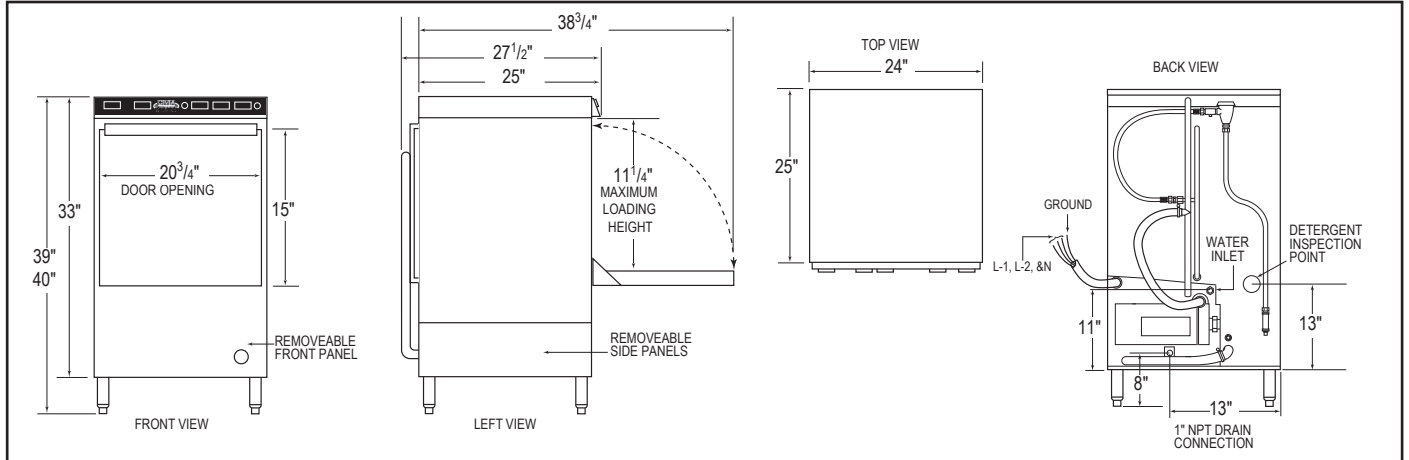


181GW

High Temperature Undercounter Glasswasher

WARNINGS:

- Plumbing connections must be made by a qualified service company who will comply with all available Federal, State, and Local Health, Plumbing and Safety codes.
- CMA recommends utilizing a water softening system to maintain water hardness measurements of 3.5 gpg (grains per gallon) or less. This will assure maximum results and optimum operation of the dishmachine.



Specifications:			Specifications:		
CMA-181GW	USA	(Metric)	CMA-181GW	USA	(Metric)
WATER CONSUMPTION			FRAME DIMENSIONS		
PER RACK	.75 GAL.	(2.84 L)	DEPTH	25"	(63.5 CM)
PER HOUR	22.5 GAL.	(85.2 L)	WIDTH	24"	(60.96 CM)
OPERATING CYCLE			HEIGHT	39"-40"	(99-101.6 CM)
WASH TIME-SEC	94	94	MAX CLEARANCE FOR DISHES	11-1/4"	(28.6 CM)
RINSE TIME-SEC	16	16	WASH PUMP MOTOR 1 HP 1 HP		
DWELL TIME-SEC	10	10	ELECTRICAL RATING		
TOTAL CYCLE TIME	2 MIN.	2 MIN.	TOTAL AMPS	208 VOLTS	240 VOLTS
OPERATING CAPACITY			1 PH-60 Hz	1 PH-60 Hz	
RACKS PER HOUR	30	30	BOOSTER HEATER KW	33.0 AMPS	36.0 AMPS
WASH TANK CAPACITY			5.3 KW	7.1 KW	
WASH TANK CAPACITY	2.5 GAL.	(9.46 L)	THIS SYSTEM REQUIRES THREE POWER WIRES WHICH INCLUDES A CURRENT CARRYING NEUTRAL. AN ADDITIONAL FOURTH WIRE MUST BE PROVIDED FOR MACHINE GROUND. NO GFI BREAKER.		
PUMP CAPACITY					
PUMP CAPACITY	38 GPM	(144 LPM)	APPROXIMATE SHIPPING WEIGHT 207# (93.8 KG)		
WATER REQUIREMENTS			SHIPPING DIMENSIONS PALLET & BOX @ 29" X 28" X 41"		
REQUIRED MINIMUM TEMP	110°F	(43°C)	*For machine having "Safe-T-Temp" **For faster heat recovery		
RECOMMENDED TEMP	140°F	(60°C)			
WATER INLET	1/2"	(1.27 CM)			
DRAIN CONNECTION	1"	(2.54 CM)			
RINSE PRESSURE SET	20 ± 5PSI	1.41 KG/CM²			
CYCLE TEMPERATURES					
WASH-°F	155° F-160° F	(68.3°C/71°C)			
RINSE-°F	180° F-195° F	(82°C/90°C)			

Summary Specifications: CMA 181GW

The CMA 181GW undercounter dishwasher provides hot water (180°F) sanitizing through the use of a built-in booster heater. 180°F final rinse safety system ensures proper temperatures in the final rinse by holding wash cycle in run mode until 180°F rinse temperature is detected. The unit comes standard with upper and lower stainless steel wash and final rinse arms, digital LED temperature gauges and easy to operate controls. The CMA 181GW is constructed entirely of stainless steel. Uses standard 19-3/4"X19-3/4" glassracks with a 11-1/4" door clearance.

Advisory: CMA does NOT endorse "Tankless On-Demand" water heaters for use on CMA Dishmachine products. CMA DOES endorse, and highly recommends, the standard "tank" style water heaters, sized properly to handle each particular facility with their water heating requirements.



CMA Dishmachines 12700 Knott Street, Garden Grove, CA 92841 • 800-854-6417 • 714-898-8781 • Fax: 714-895-2141 • www.cmadishmachines.com

CMA reserves the right to modify specifications or discontinue models without prior notification.

© 3-2020 CMA, Inc.

an Ali Group Company



The Spirit of Excellence