



KT-RVS4M-D-53-84

KT24 Deli Display Case/Showcases, 42.95", 63.62" & 84.29" lengths, has (1) or (2) shelves (non-refrigerated), removable refrigerated stainless steel deck & self-contained, air cooled refrigeration. It features tempered double pane glass front & sides, tilt back front glass, incline display, clear plexiglass top support structure, rear plexiglass sliding doors, LED lighting & digital diagnostic controls with programmable defrosting. Styled with 304 high gloss stainless steel interior, silver anodized aluminum trim, deli service merchandiser, the showcase comes with factory standard, matte white front & side panels.

Model No.	Application	Description	Height	Length	Depth	Crated Weight	Voltage	Amps	HP
KT-RVS2M-D-46-43	Deli	Refrigerated deck and one non refrigerated shelf.	45.66"	42.95"	45.12"	723	220/60/1	10	½ HP
KT-RVS2M-D-53-43	Deli	Refrigerated deck and two non refrigerated shelves.	53.15"	42.95"	45.12"	875	220/60/1	10	½ HP
KT-RVS3M-D-46-63	Deli	Refrigerated deck and one non refrigerated shelf	45.66"	63.62"	45.12"	934	220/60/1	10	½ HP
KT-RVS3M-D-53-63	Deli	Refrigerated deck and two non refrigerated shelves	53.15"	63.62"	45.12"	723	220/60/1	10	½ HP
KT-RVS4M-D-46-84	Deli	Refrigerated deck and one non refrigerated shelf.	45.66"	84.29"	45.12"	875	220/60/1	10	¾ HP
KT-RVS4M-D-53-84	Deli	Refrigerated deck and two non refrigerated shelves	53.15"	84.29"	45.12"	934	220/60/1	10	¾ HP
KT-RVS30A-D-46-A&B	Curved Deli	Refrigerated deck and one non refrigerated shelf	45.66"	A & B	45.12"	723	220/60/1	10	½ HP
KT-RVS30A-D-53-A&B	Curved Deli	Refrigerated deck and two non refrigerated shelves	53.15"	A & B	45.12"	875	220/60/1	10	½ HP
KT-RVS30C-D-46-A&B	Curved Deli	Refrigerated deck and one non refrigerated shelf	45.66"	A & B	45.12"	934	220/60/1	10	½ HP
KT-RVS45A-D-46-A&B	Curved Deli	Refrigerated deck and one non refrigerated shelf	45.66"	A & B	45.12"	875	220/60/1	10	½ HP
KT-RVS45A-D-53-A&B	Curved Deli	Refrigerated deck and. two non refrigerated shelves	53.15"	A & B	45.12"	934	220/60/1	10	½ HP

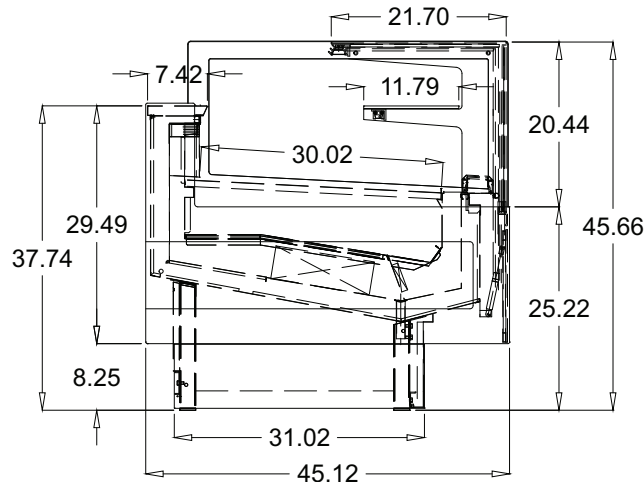
Features

- All Clear Plexiglass Top Support Structure
- LED Lighting
- Tilt Back Front Glass
- All Tempered, Double Pane Glass Front and Sides
- Galvanized Steel Chassis Construction
- Insulated with Dense Non-CFCEcologic Polyurethane Foam
- Back and Inside Structure Made Of High Gloss 304 Stainless Steel
- Stainless Steel Work Surface
- Digital Diagnostic Control System with Programmable Defrosting
- Rear Plexiglass Sliding Doors
- Air-Cooled Condensing Unit
- Incline Display
- Unique Fan Assisted Airflow Design
- Removable Stainless Steel Deck
- Silver Anodized Aluminum Trim
- Stainless Steel Work Surface
- Back Painted Glass on Front Facia
- Refrigerated Deck, Non-Refrigerated Shelves
- Humidity Control System
- Multiplexing Capability
- Temperature Range: +38° to +41°

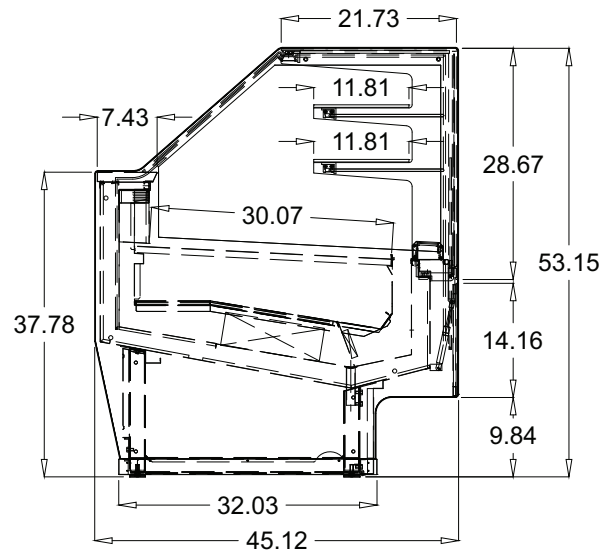
Optional Features

- Fully Refrigerated Showcase Option
- Casters
- Granite Work Surface (Operator Side)
- Remote Condensing Unit
- RAL Custom Color Options

SIDE VIEW
45.66" Height
Detailed



SIDE VIEW
53.15" Height
Detailed



Required ambient conditions: 75°F; 55% Relative Humidity
Drawings and Specification are subject to change without notice.

ELECTRICAL CONNECTION:

Display cases are shipped with applicable junction box for hardwired installation
Options exist for several NEMA configurations
Plug and/or receptacle configurations are at the discretion of the electrical installer



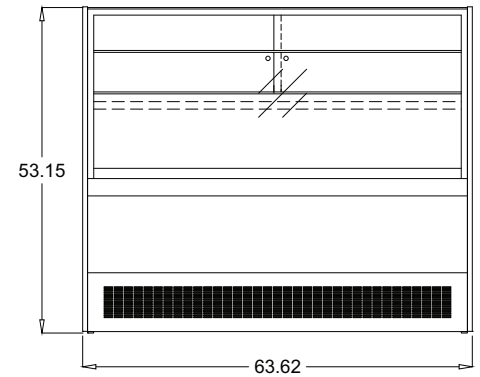
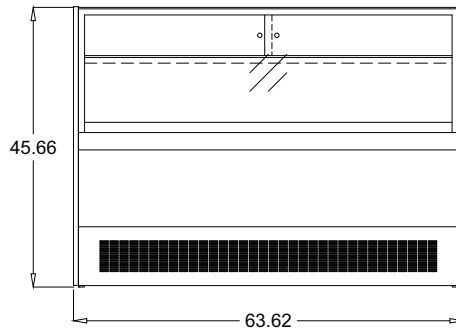
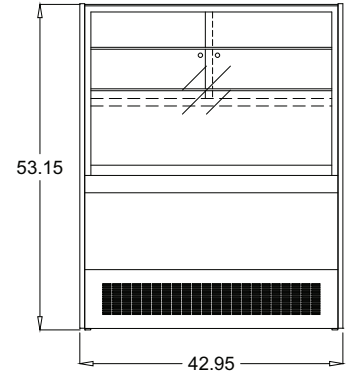
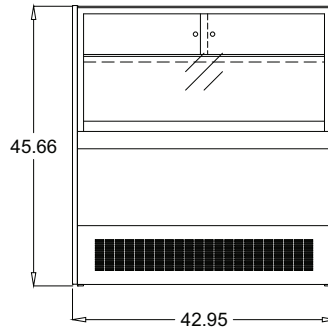
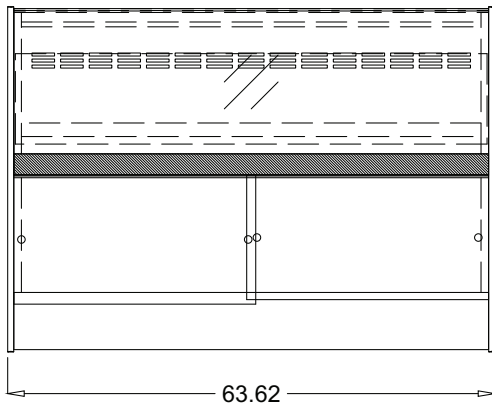
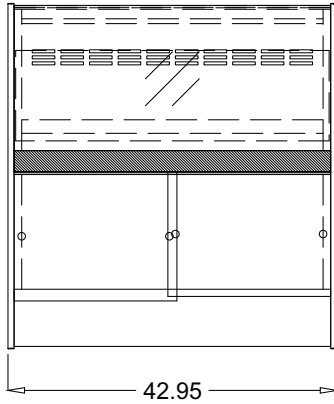
Product Specification Sheet

Model Style: KT24 - Deli

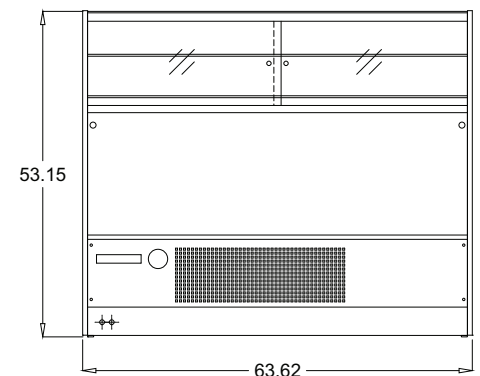
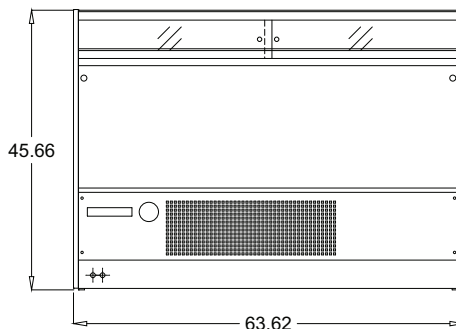
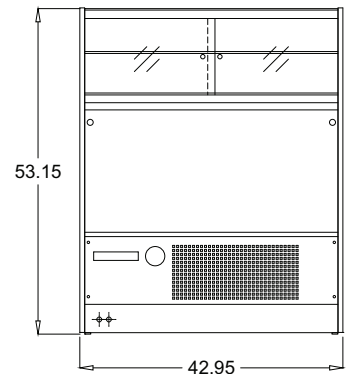
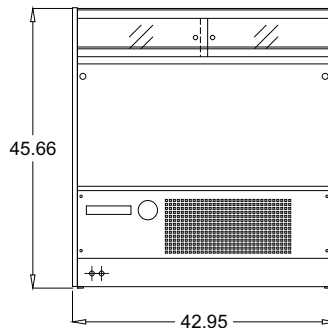
42.95", 63.62" Length Plan & Design Views

FRONT VIEWS

PLAN VIEWS

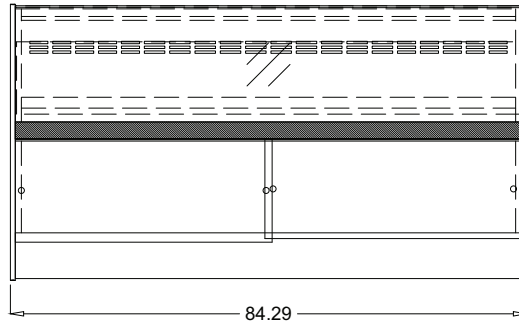


REAR VIEWS

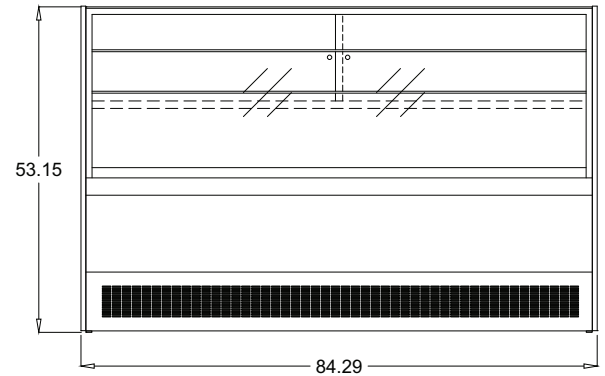
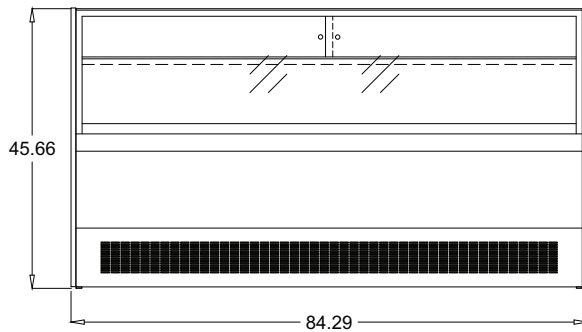


Product Specification Sheet
Model Style: KT24 - Deli
 84.29 " Length Plan & Design Views

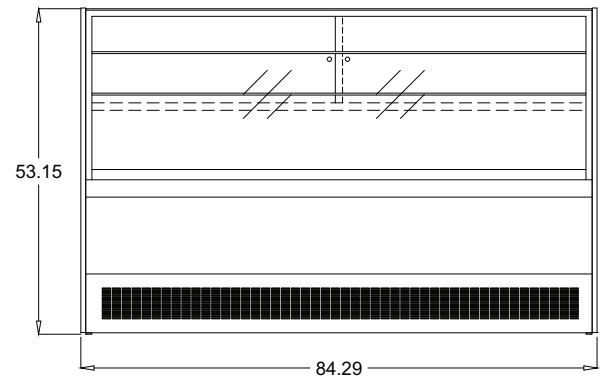
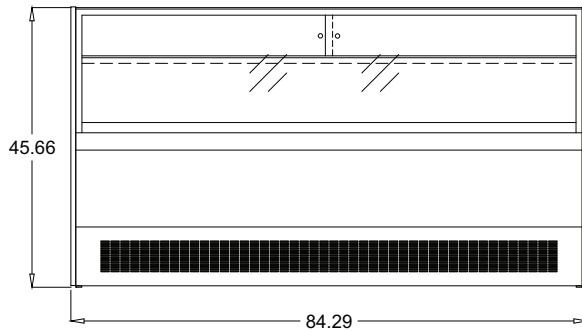
PLAN VIEWS



FRONT VIEWS



REAR VIEWS



A30, C30 & A45 Design Views

