

Product Specification Sheet

Model Style: KT24 - Pastry



KT24 Pastry Display Case/Showcases, 42.95", 63.62" & 84.29" lengths, have (1) or (2) shelves (non-refrigerated), pull out drawer, air cooled refrigeration, self-contained, tempered double pane glass front & sides. It features tilt back front glass, incline display, clear plexiglass top support structure, rear plexiglass sliding doors, digital diagnostic control with programmable defrosting & LED lighting. There is a removable refrigerated stainless steel deck. The body design has 304 high gloss stainless steel interior, silver anodized aluminum trim, bakery service merchandiser, pastry service merchandiser. The showcase comes with factory standard, matte white front & side panels.

KT-RVS30C-P-53-A&B

Model No.	Application	Description	Height	Length	Depth	Crated Weight	Voltage	Amps	HP
KT-RVC2M-P-46-43	Pastry	One pull out rear drawer, a refrigerated deck and one non refrigerated shelf	45.66"	42.95"	45.12"	875	220/60/1	10	½ HP
KT-RVC2M-P-53-43	Pastry	One pull out rear drawer, a refrigerated deck and two non refrigerated shelves	53.15"	42.95"	45.12"	875	220/60/1	10	½ HP
KT-RVC3M-P-46-63	Pastry	One pull out rear drawer, a refrigerated deck and one non refrigerated shelf	45.66"	63.62"	45.12"	723	220/60/1	10	½ HP
KT-RVC3M-P-53-63	Pastry	One pull out rear drawer, a refrigerated deck and two non refrigerated shelves	53.15"	63.62"	45.12"	723	220/60/1	10	½ HP
KT-RVC4M-P-46-84	Pastry	One pull out rear drawer, a refrigerated deck and one non refrigerated shelf	45.66"	84.29"	45.12"	934	220/60/1	10	½ HP
KT-RVC4M-P-53-84	Pastry	One pull out rear drawer, a refrigerated deck and two non refrigerated shelves	53.15"	84.29"	45.12"	934	220/60/1	10	½ HP
KT-RVS30C-P-46-A&B	Curved Pastry	No drawer. One refrigerated deck and one non refrigerated shelf	45.66"	A & B	45.12"	875	220/60/1	10	½ HP
KT-RVS30C-P-53-A&B	Curved Pastry	No drawer. One refrigerated deck and two non refrigerated shelves	53.15"	A & B	45.12"	934	220/60/1	10	½ HP
KT-RVS45A-P-46-A&B	Curved Pastry	No drawer. One refrigerated deck and one non refrigerated shelf	45.66"	A & B	45.12"	723	220/60/1	10	½ HP
KT-RVS45A-P-53-A&B	Curved Pastry	No drawer. One refrigerated deck and two non refrigerated shelves	53.15"	A & B	45.12"	875	220/60/1	10	½ HP

Features

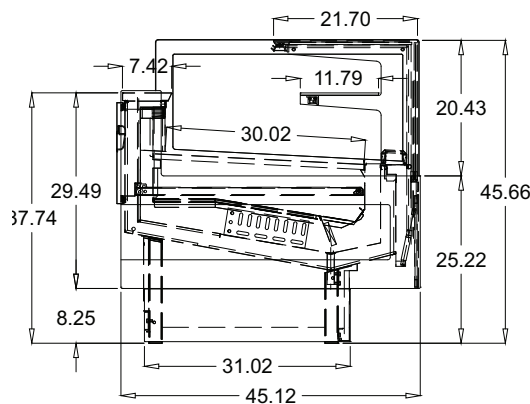
- All Clear Plexiglass Top Support
- LED Lighting
- Tilt Back Front Glass
- All Tempered, Double Pane Glass Front and Sides
- Galvanized Steel Chassis Construction
- Insulated with Dense Non-Cfc Ecologic Polyurethane Foam
- Back and Inside Structure Made Of High Gloss 304 Stainless Steel
- Stainless Steel Work Surface
- Digital Diagnostic Control System with Programmable Defrosting
- Rear Plexiglass Sliding Doors Air Cooled Condensing Unit
- Unique Fan Assisted Airflow Design
- Incline Display

- Removable Stainless Steel Deck
- Silver Anodized Aluminum Trim
- Stainless Steel Work Surface
- Back Painted Glass on Front Facia
- Refrigerated Deck, Non-Refrigerated Shelves
- Multiplexing Capability
- Temperature Range: +38° to +41°

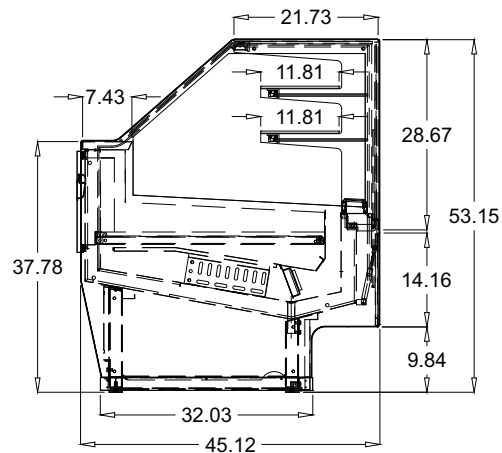
Optional Features

- Casters
- Granite Work Surface (Operator Side)
- Remote Condensing Unit

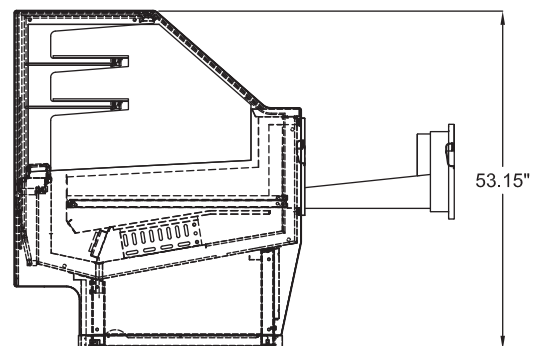
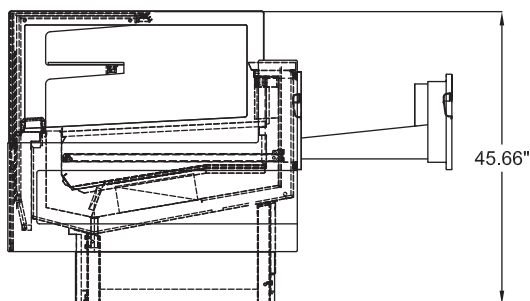
SIDE VIEW
45.66" Height



SIDE VIEW
53.15" Height



SIDE VIEW



Required ambient conditions: 75°F; 55% Relative Humidity
Drawings and Specification are subject to change without notice.

ELECTRICAL CONNECTION:

Display cases are shipped with applicable junction box for hardwired installation
Options exist for several NEMA configurations
Plug and/or receptacle configurations are at the discretion of the electrical installer

ORION by CLABO

HMC Enterprises LLC, 831 East Cayuga Street, Philadelphia, PA. 19124 Ph: 1-800-344-8222 • 215-464-6800 • www.ORIONbyClabo.com

Revised 10/2018

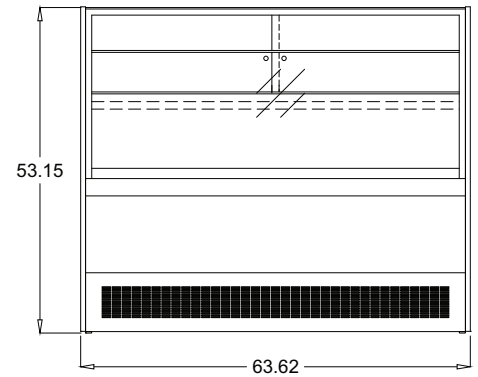
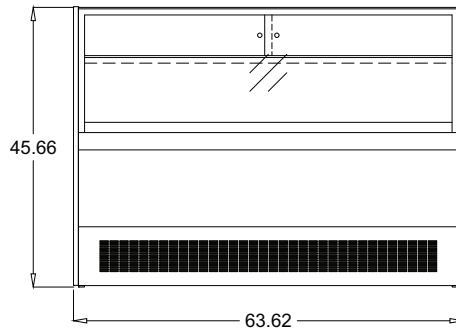
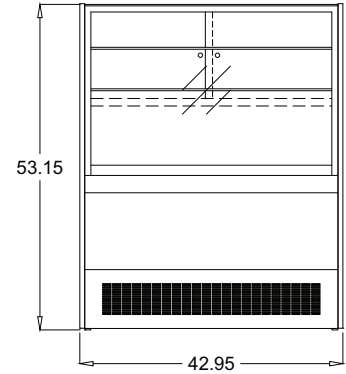
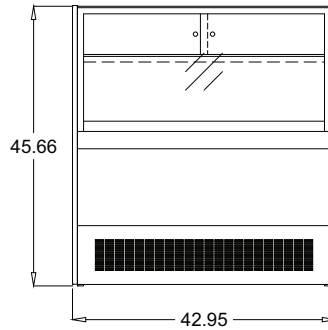
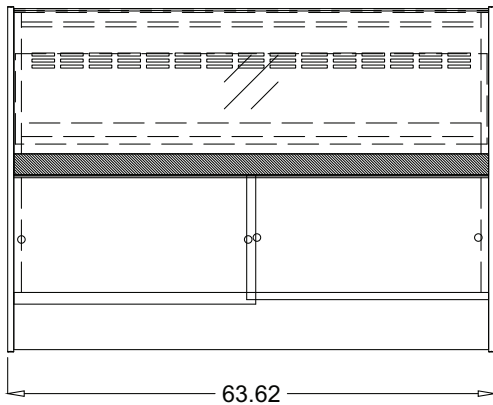
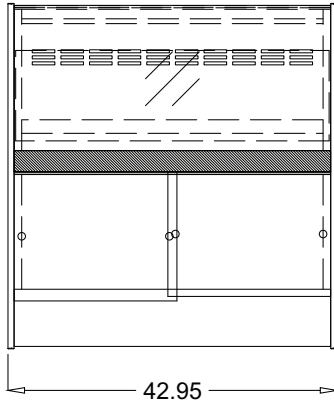
Product Specification Sheet

Model Style: KT24 - Pastry

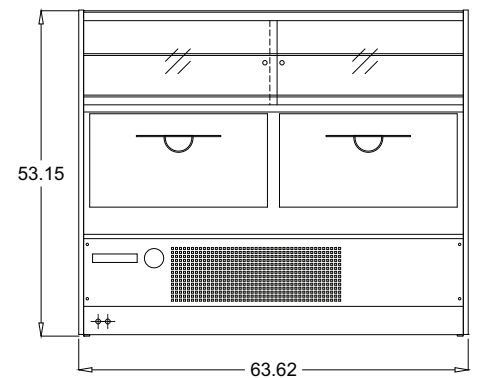
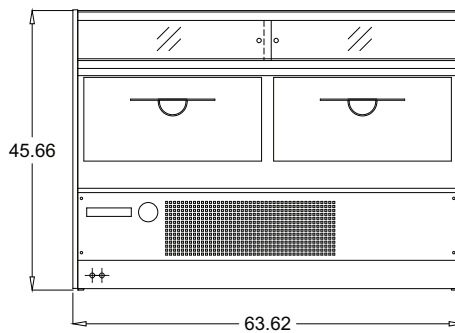
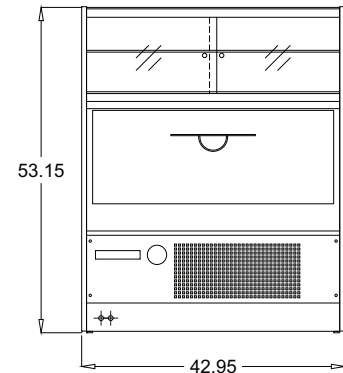
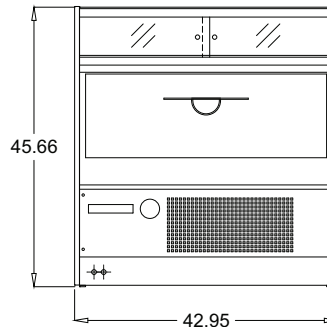
42.95", 63.62" Length Plan & Design Views

FRONT VIEWS

PLAN VIEWS



REAR VIEWS

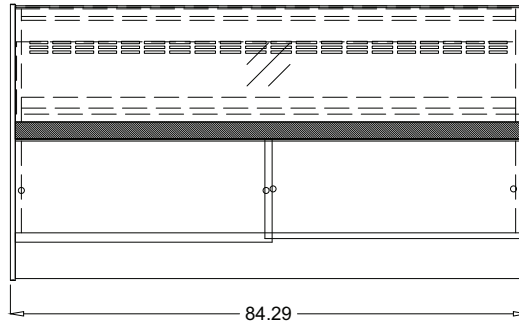


Product Specification Sheet

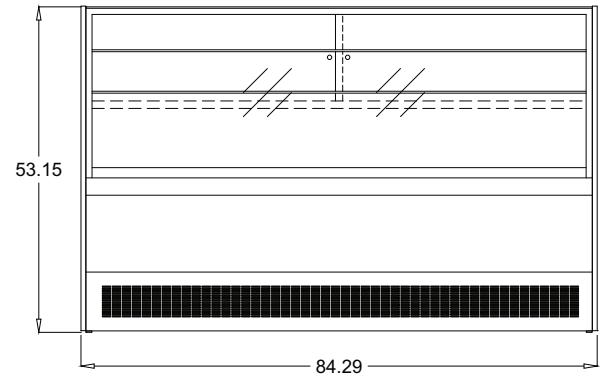
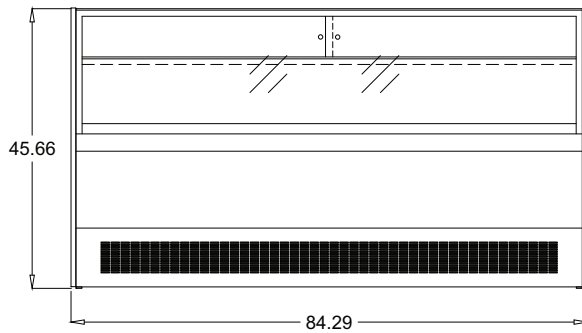
Model Style: KT24 - Pastry

84.29 " Length Plan & Design Views

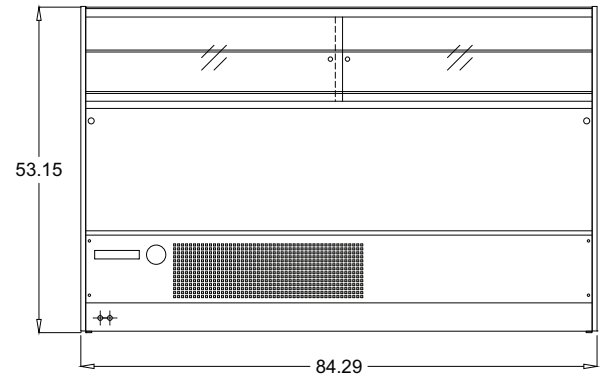
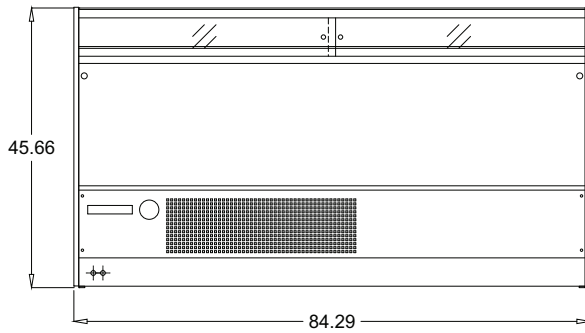
PLAN VIEWS



FRONT VIEWS

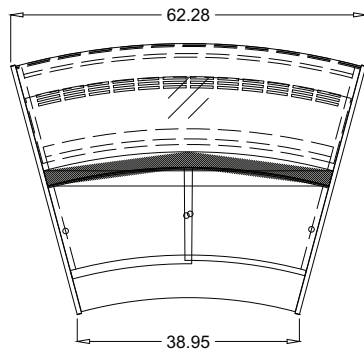


REAR VIEWS

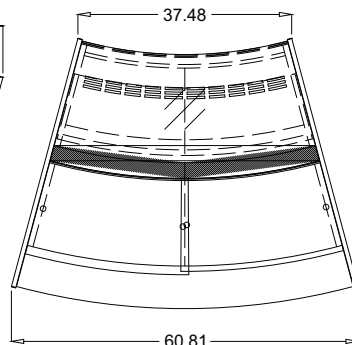


A30, C30 & A45 Design Views

A30 Curved Unit



C30 Curved Unit



A45 Curved Unit

