



KT-N3M-A-53-63

KT24 Ambient Display Case/Showcases, 42.95", 63.62" & 84.29" in lengths, has (1) or (2) shelves (non-refrigerated). It features tempered double pane glass front & sides, tilt back front glass, incline display, clear plexiglass top support structure, rear plexiglass sliding doors, LED lighting, and a removable stainless steel deck. The 304 high gloss stainless steel interior, has silver anodized aluminum trim, service merchandiser. The dry, ambient, showcase comes with factory standard, matte white front & side panels

Model No.	Application	Description	Height	Length	Depth	Crated Weight	Voltage	Amps
KT-N2M-A-46-43	Ambient	Ambient and one non refrigerated shelf	45.66"	42.95"	45.12"	723#	115/60/1	2
KT-N2M-A-53-43	Ambient	Ambient and two non refrigerated shelves	53.15"	42.95"	45.12"	875#	115/60/1	2
KT-N3M-A-46-63	Ambient	Ambient and one non refrigerated shelf	45.66"	63.62"	45.12"	934#	115/60/1	3
KT-N3M-A-53-63	Ambient	Ambient and two non refrigerated shelves	53.15"	63.62"	45.12"	723#	115/60/1	3
KT-N4M-A-46-84	Ambient	Ambient and one non refrigerated shelf	45.66"	84.29"	45.12"	875#	115/60/1	4
KT-N4M-A-53-84	Ambient	Ambient and two non refrigerated shelves	53.15"	84.29"	45.12"	934#	115/60/1	4
KT-N30A-A-46-A&B	Curved Ambient	Ambient and one non refrigerated shelf	45.66"	A & B	45.12"	723#	115/60/1	2
KT-N30A-A-53-A&B	Curved Ambient	Ambient and two non refrigerated shelves	53.15"	A & B	45.12"	875#	115/60/1	2
KT-N30C-A-46-A&B	Curved Ambient	Ambient and one non refrigerated shelf	45.66"	A & B	45.12"	934#	115/60/1	2
KT-N45A-A-46-A&B	Curved Ambient	Ambient and one non refrigerated shelf	45.66"	A & B	45.12"	875#	115/60/1	2
KT-N45A-A-53-A&B	Curved Ambient	Ambient and two non refrigerated shelves	53.15"	A & B	45.12"	934#	115/60/1	2

Features

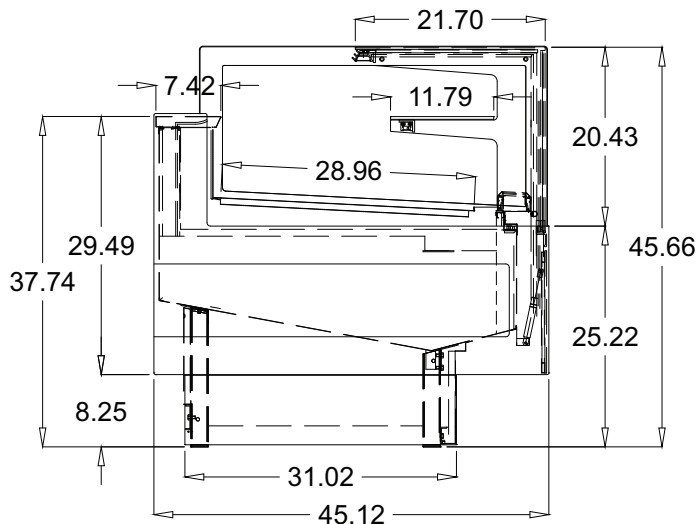
- All Clear Plexiglass Top Support Structure
- Tilt Back Front Glass
- All Tempered, Double Pane Glass Front and Sides
- Galvanized Steel Chassis Construction
- Insulated with Dense Non-CFCEcologic Polyurethane Foam
- Back and Inside Structure Made Of High Gloss 304 Stainless Steel
- Two height profile options: 45.66" and 53.15"
- Stainless Steel Work Surface
- Digital Diagnostic Control System with Programmable Defrosting
- Rear Plexiglass Sliding Doors
- Air-Cooled Condensing Unit
- Incline Display

- Unique Fan Assisted Airflow Design
- Removable Stainless Steel Deck
- Silver Anodized Aluminum Trim
- Stainless Steel Work Surface
- Back Painted Glass on Front Facia
- Humidity Control System
- Multiplexing Capability
- Temperature Range: Ambient

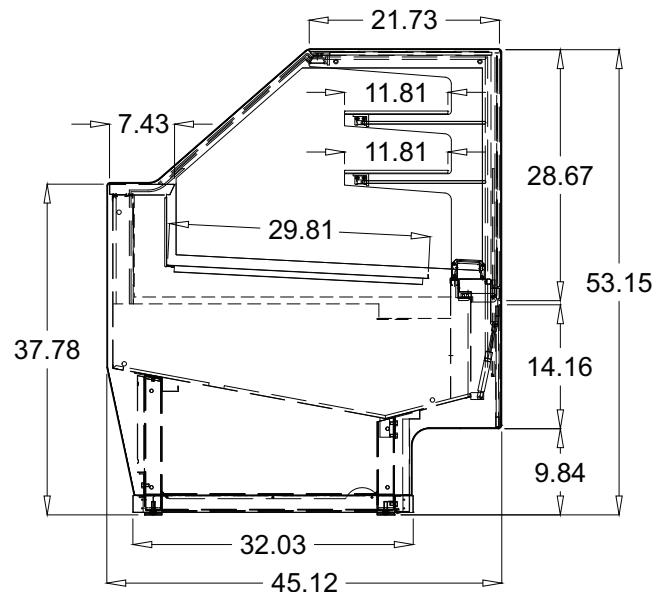
Optional Features

- Casters
- Granite Work Surface (Operator Side)
- RAL Color Options

SIDE VIEW
45.66" Height



SIDE VIEW
53.15" Height



Required ambient conditions: 75°F; 55% Relative Humidity
Drawings and Specification are subject to change without notice.

ELECTRICAL CONNECTION:

Display cases are shipped with applicable junction box for hardwired installation
Options exist for several NEMA configurations
Plug and/or receptacle configurations are at the discretion of the electrical installer



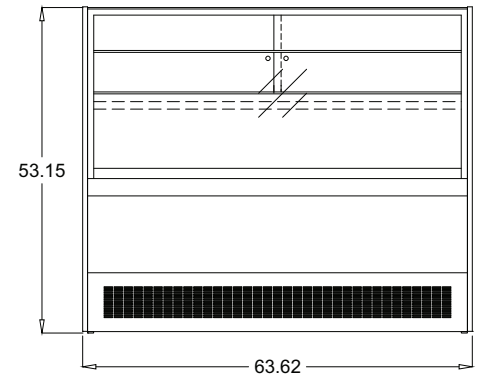
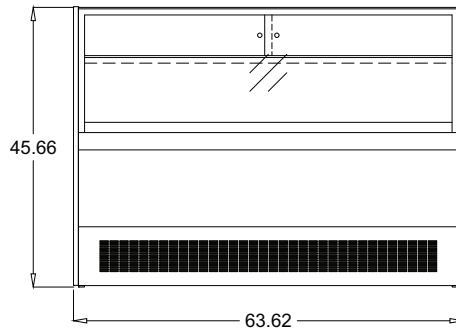
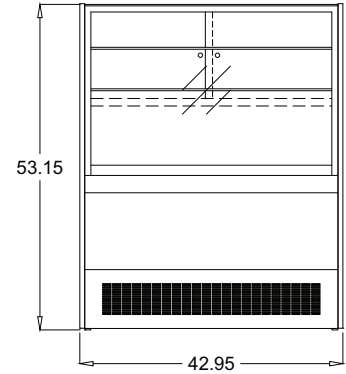
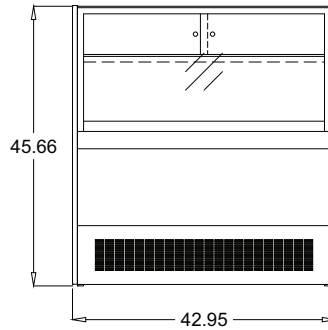
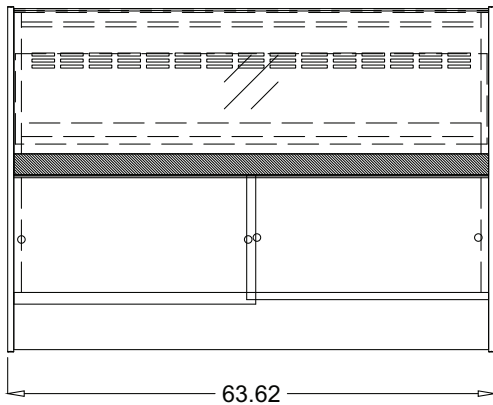
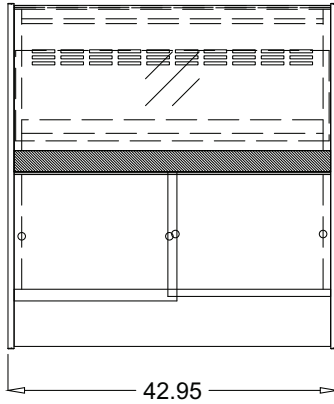
Product Specification Sheet

Model Style: KT24 - Ambient

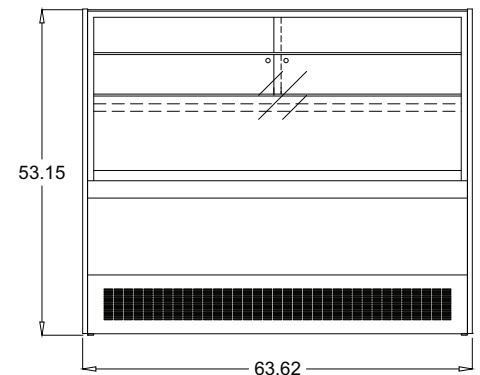
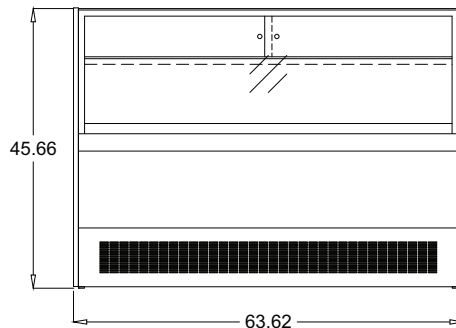
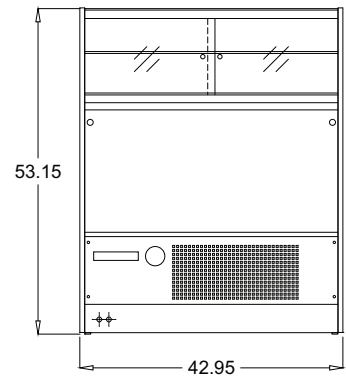
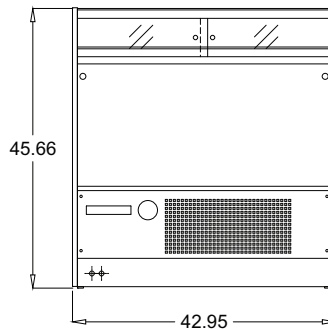
42.95", 63.62" Length Plan & Design Views

FRONT VIEWS

PLAN VIEWS



REAR VIEWS

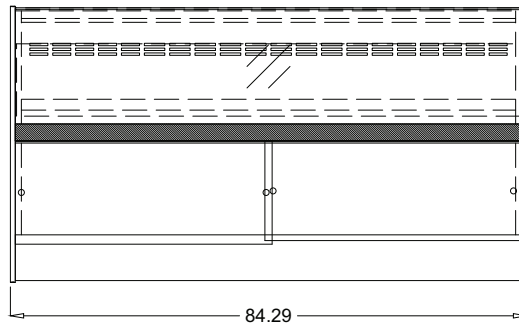


Product Specification Sheet

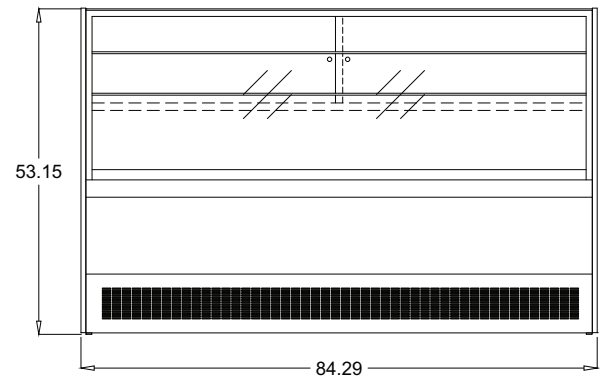
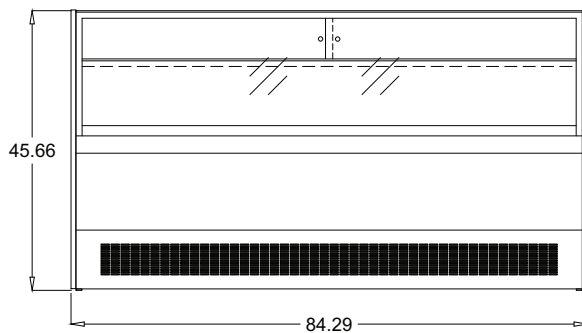
Model Style: KT24 - Ambient

84.29 " Length Plan & Design Views

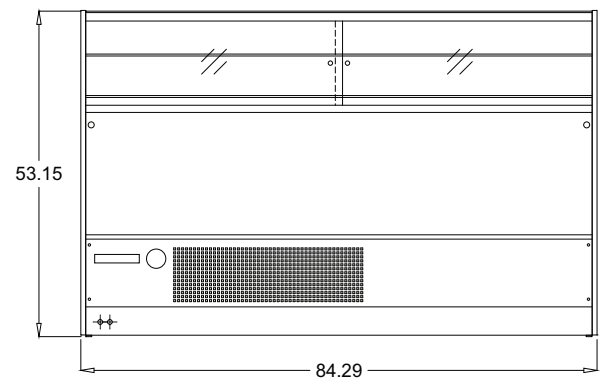
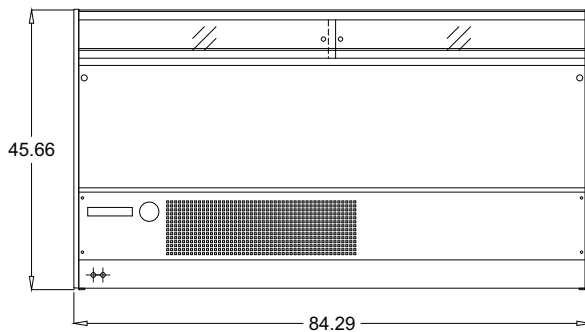
PLAN VIEWS



FRONT VIEWS

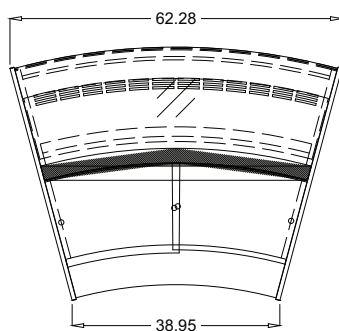


REAR VIEWS

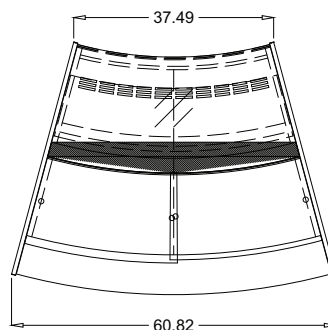


A30, C30 & A45 Design Views

A30 Curved Unit



C30 Curved Unit



A45 Curved Unit

