

KOREIA Chocolate Display Case/Showcase comes in 44.09", 64.76" or 85.43" lengths. It features (2) or (3) shelves (non-refrigerated), air cooled refrigeration. They are self-contained, with a refrigerated deck only, tempered double pane glass front & sides, hydraulic lift up front glass & rear plexiglass sliding doors, and digital diagnostic control with programmable defrosting. The 304 high gloss stainless steel interior, silver anodized aluminum trim, deli service merchandiser, showcase comes with factory standard, matte white front & side panels.

Model No.	Application	Description	Height	Length	Depth	Crated Weight	Voltage	Amps	HP
KOR-RP2M-C-52-44	Chocolate	Humidity controlled 55% RH, one refrigerated deck + 2 non refrigerated shelves	51.96"	44.09"	43.85"	690#	220/60/1	10	1/3 HP
KOR-RP2M-C-57-44	Chocolate	Humidity controlled 55% RH, one refrigerated deck + 3 non refrigerated shelves	57.08"	44.09"	43.85"	734#	220/60/1	10	1/3 HP
KOR-RP3M-C-52-65	Chocolate	Humidity controlled 55% RH, one refrigerated deck + 2 non refrigerated shelves	51.96"	64.76"	43.85"	844#	220/60/1	10	1/2 HP
KOR-RP3M-C-57-65	Chocolate	Humidity controlled 55% RH, one refrigerated deck + 3 non refrigerated shelves	57.08"	64.76"	43.85"	888#	220/60/1	10	1/2 HP
KOR-RP4M-C-52-85	Chocolate	Humidity controlled 55% RH, one refrigerated deck + 2 non refrigerated shelves	51.96"	85.43"	43.85"	998#	220/60/1	10	3/4 HP
KOR-RP4M-C-57-85	Chocolate	Humidity controlled 55% RH, one refrigerated deck + 3 non refrigerated shelves	57.08"	85.43"	43.85"	1042#	220/60/1	10	3/4 HP
KOR-KC30EXT-C-52-A&B	Curved Chocolate	Humidity controlled 55% RH, one refrigerated deck + 2 non refrigerated shelves	51.96"	A & B	43.85"	800#	220/60/1	10	1/2 HP
KOR-KC30EXT-C-57-A&B	Curved Chocolate	Humidity controlled 55% RH, one refrigerated deck + 3 non refrigerated shelves	57.08"	A & B	43.85"	800#	220/60/1	10	1/2 HP
KOR-KC45EXT-C-52-A&B	Curved Chocolate	Humidity controlled 55% RH, one refrigerated deck + 2 non refrigerated shelves	51.96"	A & B	43.85"	668#	220/60/1	10	1/2 HP
KOR-KC45EXT-C-57-A&B	Curved Chocolate	Humidity controlled 55% RH, one refrigerated deck + 3 non refrigerated shelves	57.08"	A & B	43.85"	668#	220/60/1	10	1/2 HP

### Features

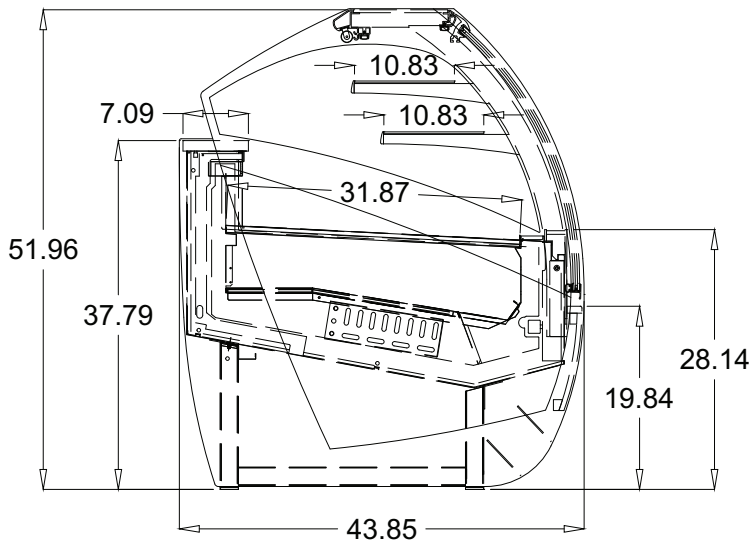
- Hydraulic Lift Up Front Glass
- Two Heights Profile: 51.96" and 57.08"
- Tempered Double Paned Front Glass
- Stainless Steel Work Surface
- 28" High Display Above Finished Floor
- All Tempered, Double Pane Heated Glass on Front and Sides
- Galvanized Steel Chassis Construction
- Insulated with Dense Non-CFCEcologic Polyurethane Foam
- Back and Inside Structure Made of High Gloss 304 Stainless Steel
- Digital Diagnostic Control System with Programmable Defrosting
- Rear Plexiglass Sliding Doors
- Air-Cooled Condensing Unit
- Unique Fan Assisted Airflow Design
- Removable Stainless Steel Deck

- Hydraulic Lift Up Front Glass
- Silver Anodized Aluminum Trim
- Stainless Steel Work Surface
- Multiplexing Capability
- Display Case(s) Have Intergrated Electronic Time and Temperature Controller(s) with Hot Gas Defrost Standard on Gelato Models
- Temperature Range: +50° to +57°

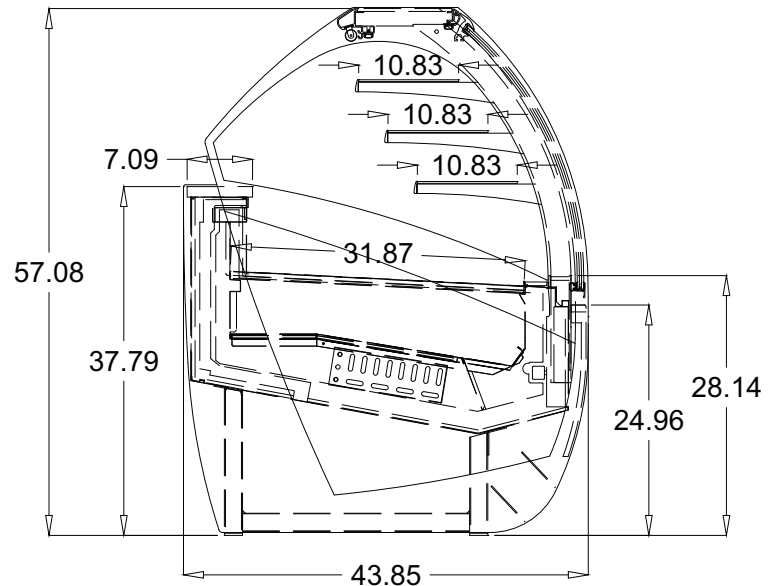
### Optional Features

- Available in Linear, 30 and 45 Degrees Profiles
- Casters
- Granite Work Surface (Operator Side)
- Remote Condensing Unit
- Optional Front and Side Panels and RAL Custom Color Options

**SIDE VIEW 51.96" H Detailed**



**SIDE VIEW 57.08" H Detailed**

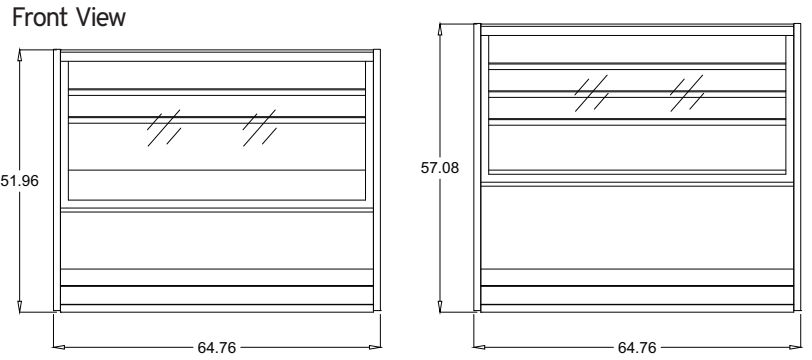
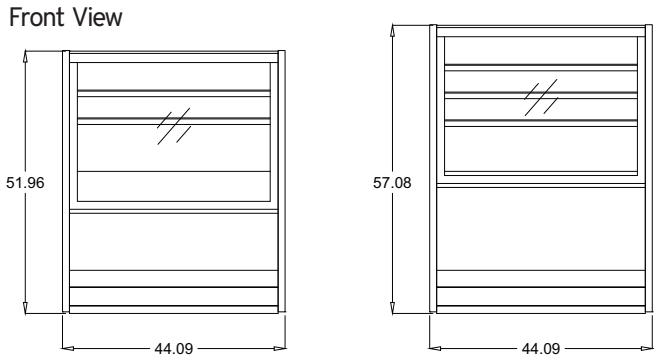
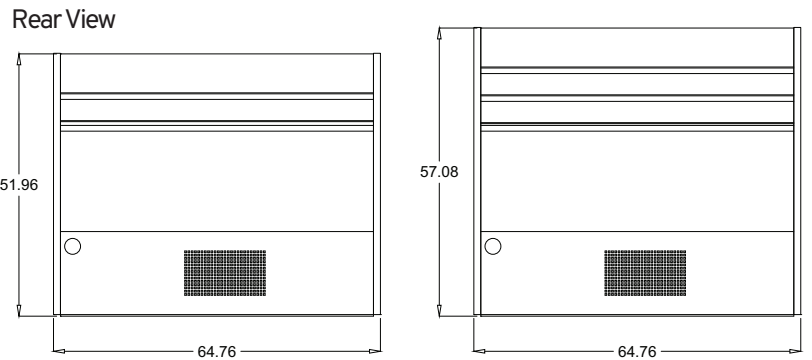
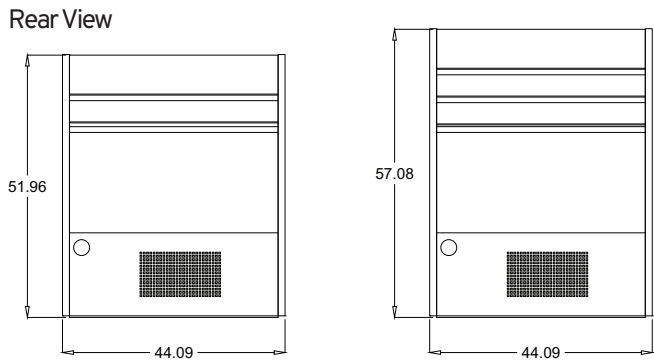
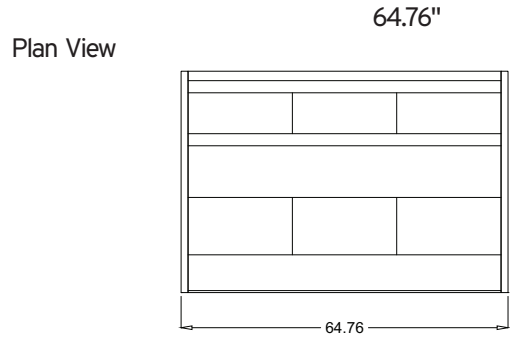
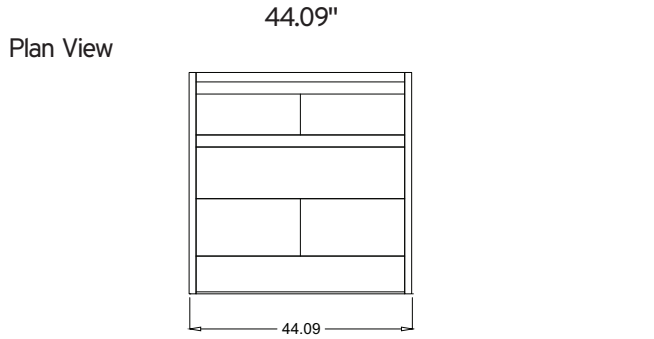


Required ambient conditions: 75°F; 55% Relative Humidity  
 Drawings and Specification are subject to change without notice.

#### ELECTRICAL CONNECTION:

Display cases are shipped with applicable junction box for hardwired installation  
 Options exist for several NEMA configurations  
 Plug and/or receptacle configurations are at the discretion of the electrical installer

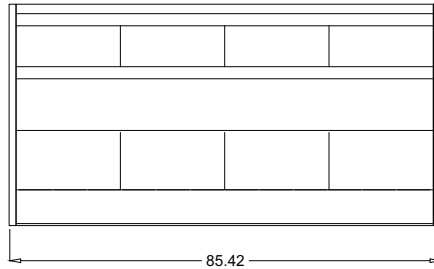
**PLAN & DESIGN VIEWS**



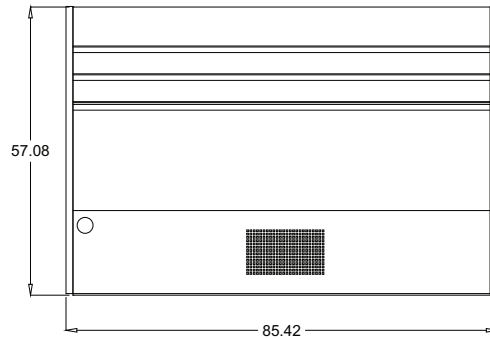
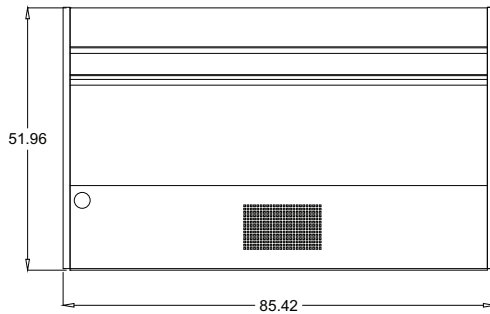
**PLAN & DESIGN VIEWS**

Plan View

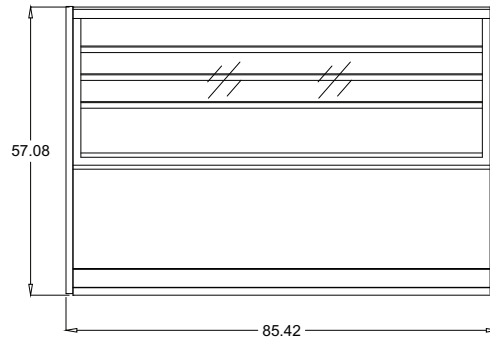
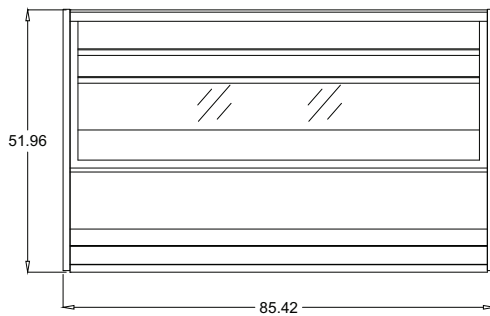
85.42"



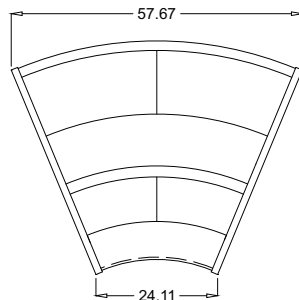
Rear View



Front View



A30



A45

