

Item# _____
Project: _____
Qty: _____

Stock Pots

SSSP-1



SSSP-2



Features

- Cast iron burner
- Natural gas 110,000 BTU
- Propane gas (LP) 85,000 BTU
- Heavy duty cast iron grate
- Stainless steel front and sides
- Standby pilot for quick and easy start
- Zink alloy knob
- Stainless steel adjustable legs
- Crumb tray at bottom
- Built for natural gas and supplied with LP conversion kit

One Year - Parts & Labor on entire unit. Valid in United States
- Valid for commercial use only



Serv-Ware
www.servware.com

Phone: (800).768.5953

Revised 10/18

Fax: (800).976.1299



Serv-Ware

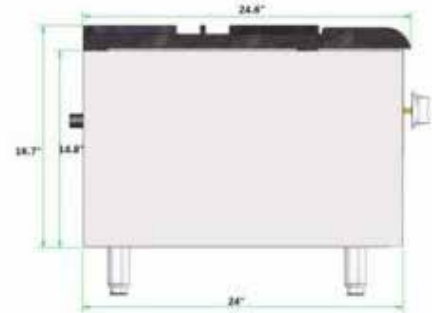
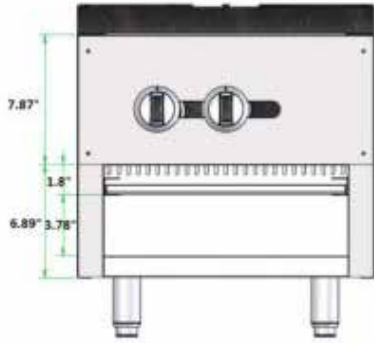
Item# _____

Project: _____

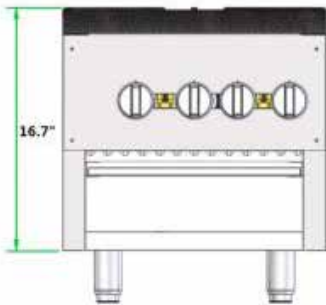
Qty: _____

Stock Pots

SSSP-1



SSSP-2



Model

Description

Dimensions

Weight / lbs.

SSSP-1
SSSP-2

One 2 Ring Burner
Two 3 Ring Burners

(W x D x H)
18" x 24.6" x 20.4"
18" x 49.3" x 20.4"

(Shipping)
168 lbs.
298 lbs.



Serv-Ware
www.servware.com

Phone:(800).768.5953

Revised 10/18

Fax:(800).976.1299



SANITATION
NSF / ANSI4



Serv-Ware