

MCR (Automatic)

15.5" x 16.0" x 8.8"
(39.4cm x 40.6cm x 22.4cm)



- 1-year warranty on parts and 1-year warranty on labor
- Compact size - only 15.5" (39.4cm) tall and requires less than 9" (22.cm) of counter space
- Designed to be compliant with ADA self-service requirements
- Engineered to achieve industry-recognized brewing temperatures and to utilize a unique water jet extraction process, delivering quality results in the cup for a variety of single serve cartridges
- ETL & NSF Commercial Ratings
- Two default dispense sizes - 6oz and 8oz (117.4mL and 236.6mL)
- Dispense sizes from 4 to 16oz (118-473mL); adjustable in .25 increments
- Energy Saver Mode reduces tank temperature during idle periods
- Ideal for office and small business environments
- Removable, dishwasher-safe 90oz (2.7L) water reservoir with large fill opening

Servers and airpots sold separately

Agency:



Specifications

Product #: 44600.0001

Water Access: Plumbed

Additional Features

Pourover Option

Electrical & Capacity

Volts	Amps	Watts	Cord Attached	Plug Type	8oz cups/hr 236ml cups/hr	Input H ₂ O Temp.	Phase	# Wires plus Ground	Hertz
120	12.25	1470	Yes	NEMA 5-15P	60	60°F (15.5°C)	1	2	60

Plumbing Requirements

PSI	kPa	Fitting Supplied	Water Flow Required (GPM)
-	-	-	-

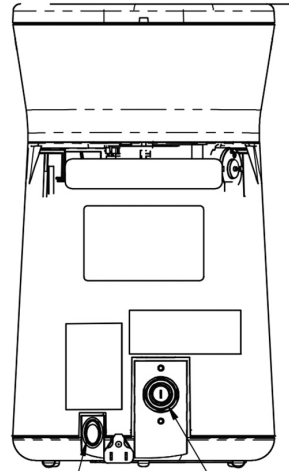
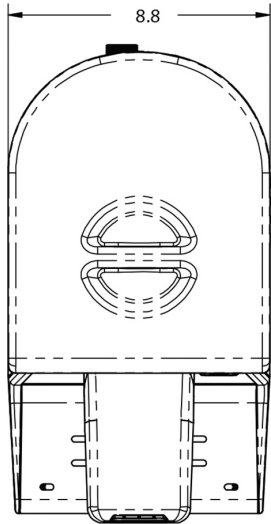
CAD Drawings

2D	Revit	KLC
●		

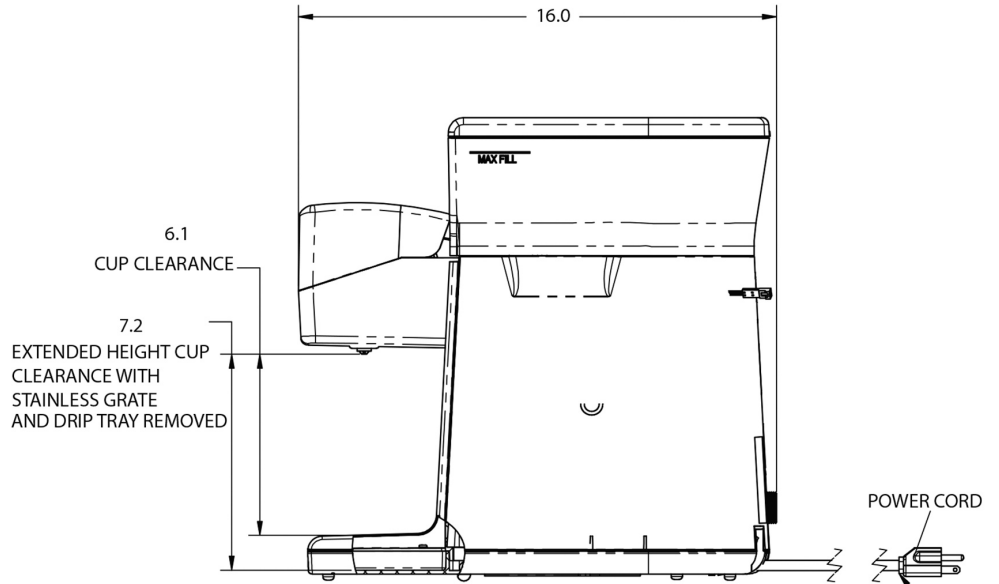
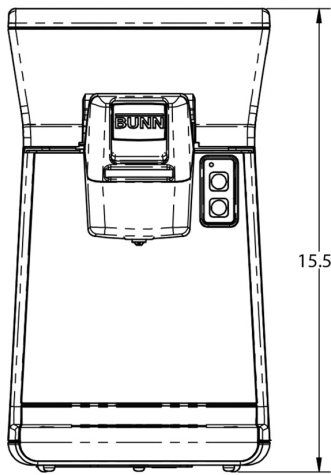


BUNN® reserves the right to change specifications and product design without notice. Such revisions do not entitle the buyer to corresponding changes, improvements, additions or replacements for previously purchased equipment. For most current specifications and other info visit bunn.com.

Created on:
09/13/2017



POWER SWITCH — OPTIONAL WATER INLET



	Unit			Shipping				
	Width	Height	Depth	Width	Height	Depth	Weight	Volume
English	8.8 in.	15.5 in.	16.0 in.	-	-	-	18.160 lbs	2.498 ft ³
Metric	22.4 cm	39.4 cm	40.6 cm	-	-	-	8.237 kgs	0.071 m ³



BUNN® reserves the right to change specifications and product design without notice. Such revisions do not entitle the buyer to corresponding changes, improvements, additions or replacements for previously purchased equipment. For most current specifications and other info visit bunn.com.

Created on:
09/13/2017